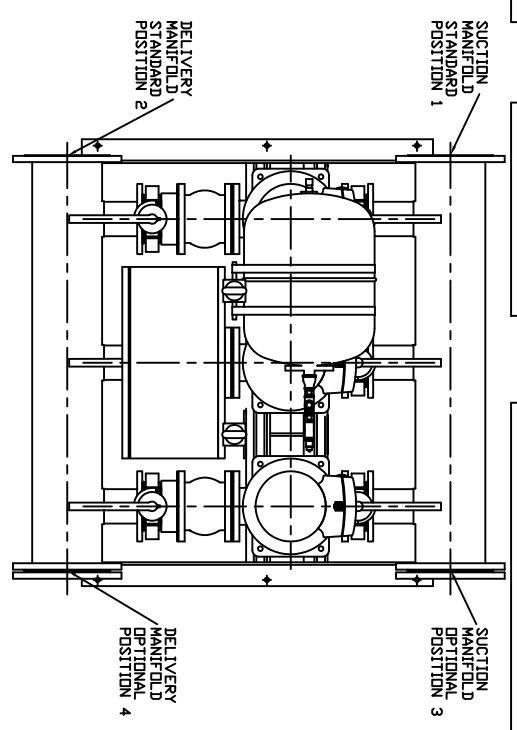


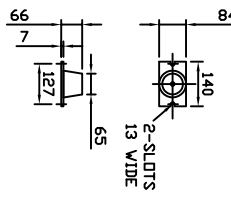
PUMP SIZE	MOTOR KW	FLC AMPS 3x415V	PUMP WEIGHT KGS	SET WEIGHT KGS	VESSEL SIZE LITRES	WORKING PRESSURE BAR	TEST PRESSURE BAR
6601/1E/40T	4.00	8.02	89	711	60	10	15
6601/5ST	5.50	10.0	107	744	60	10	15
6602/ET/75T	7.50	13.4	118	777	60	10	15

UNCONTROLLED

ALL FLANGES TO BS4504 16BAR



ANTI-VIBRATION MOUNTINGS. OPTIONAL, ONLY SUPPLIER WHEN ORDERED (6-PER SET K2092/10)

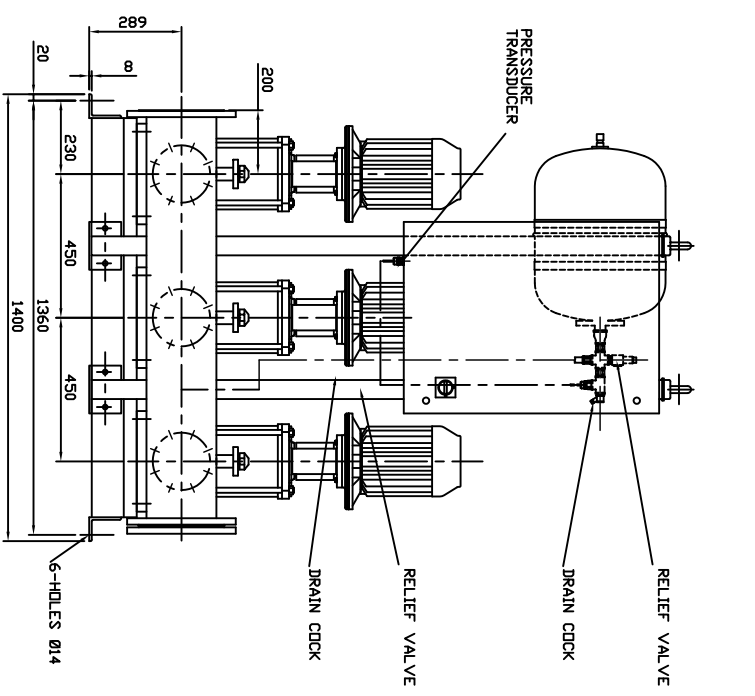
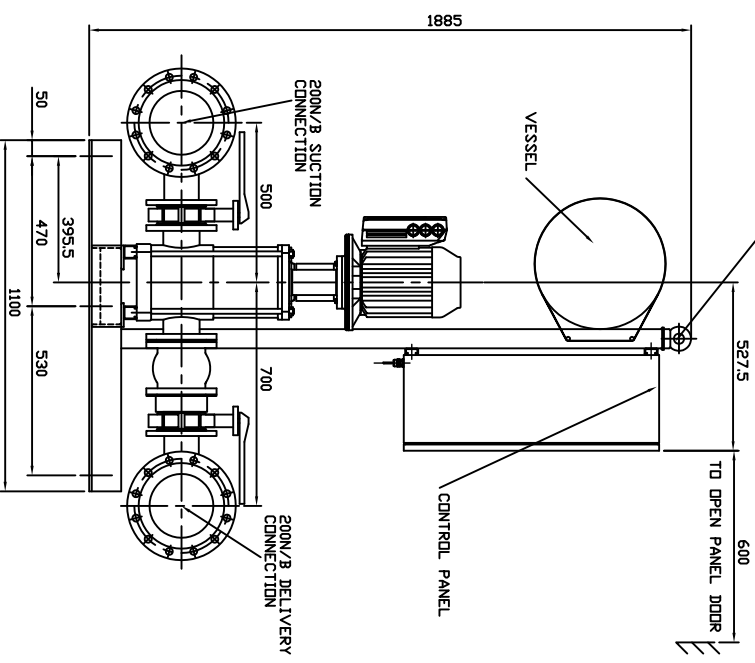


FLEXIBLE CONNECTORS OPTIONAL, ONLY SUPPLIED WHEN ORDERED (2-PER SET)



NOTE :-

- 1) MAIN POWER SUPPLY TO PANEL MUST BE SIZED TO COVER ALL PUMP RUNNING AT SAME TIME
- 2) LARGE STORAGE VESSELS IF ORDERED WILL BE SUPPLIED LOOSE FOR POSITIONING BY CLIENT TO SUIT THE AVAILABLE FLOOR SPACE. CLIENT IS TO PROVIDE A CONNECTION FROM THE VESSEL TO THE DELIVERY PIPEWORK ADJACENT TO THE SET ISOLATING AND DRAIN VALVES SHOULD BE FITTED IN THIS CONNECTION



LAST MODIFICATION DETAILS		JOB No.		PART No.		WEIGHT KG		FILE NAME		TITLE	
DRAWING BORDER CHANGED		-		-		-		px10482-1		GENERAL ARRANGEMENT	
ALL DIMENSIONS IN mm DRAWN TO BS308 WELDING SYMBOLS TO BS499 SURFACE FINISH SHOWN IN MICROMETERS MACHINE WHERE SHOWN TO TOLERANCE ± 0.3MM UNLESS OTHERWISE STATED		DESIGN No.		PATTERN No.		MATERIAL		MATL SPEC.		HYDROPAK IVSL3 SET 66-PUMP MODELS C/W VLT8000 AQUA CONTROL	

ISSUE		DATE		BY		JOB No.		PART No.		WEIGHT KG		FILE NAME		TITLE	
1		02/2006		DRN PJB		-		-		-		px10482-1		GENERAL ARRANGEMENT	
CHK PJB		APP PJB		-		-		-		-		-		HYDROPAK IVSL3 SET 66-PUMP MODELS C/W VLT8000 AQUA CONTROL	



VENLOCK WAY, MANCHESTER, M12 5JL
 TEL: +44 (0) 161 223 2223