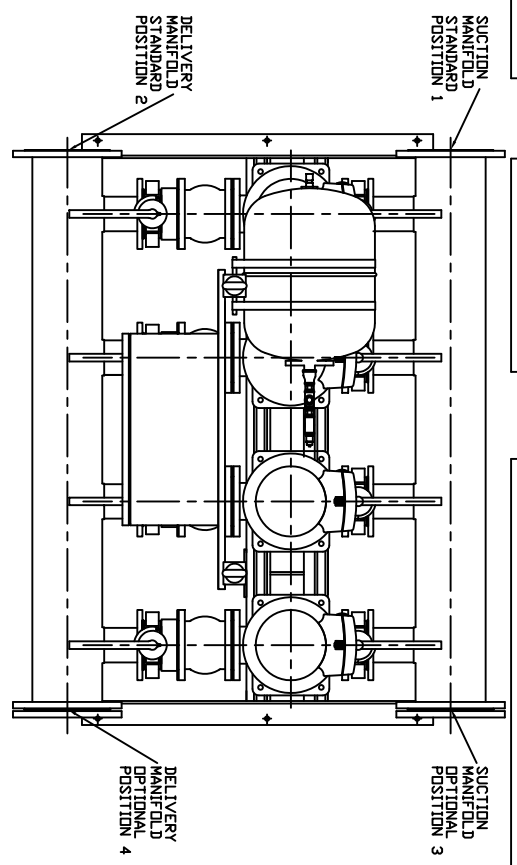


PUMP SIZE	MOTOR KW	FLC AMPS 3x415V	PUMP WEIGHT KGS	SET WEIGHT KGS	VESSEL SIZE LITRES	WORKING PRESSURE BAR	TEST PRESSURE BAR
650/1E/40T	4.00	8.02	89	1051	60	10	15
650/1E/55T	5.50	10.0	107	1122	60	10	15
650/2E/75T	7.50	13.4	118	1167	60	10	15

UNCONTROLLED

ALL FLANGES TO BS4504 16BAR



THIRD ANGLE PROJECTION

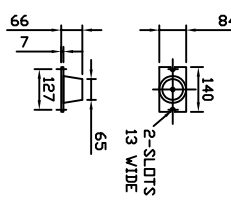
DO NOT SCALE

IF IN DOUBT ASK

REMOVE BURRS AND SHARP EDGES

DRG No. PX10483-1

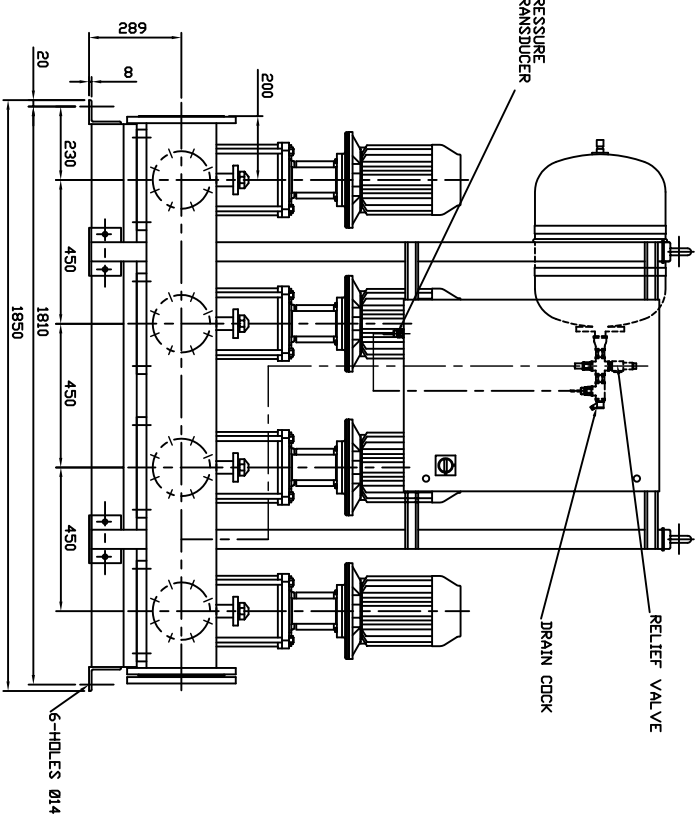
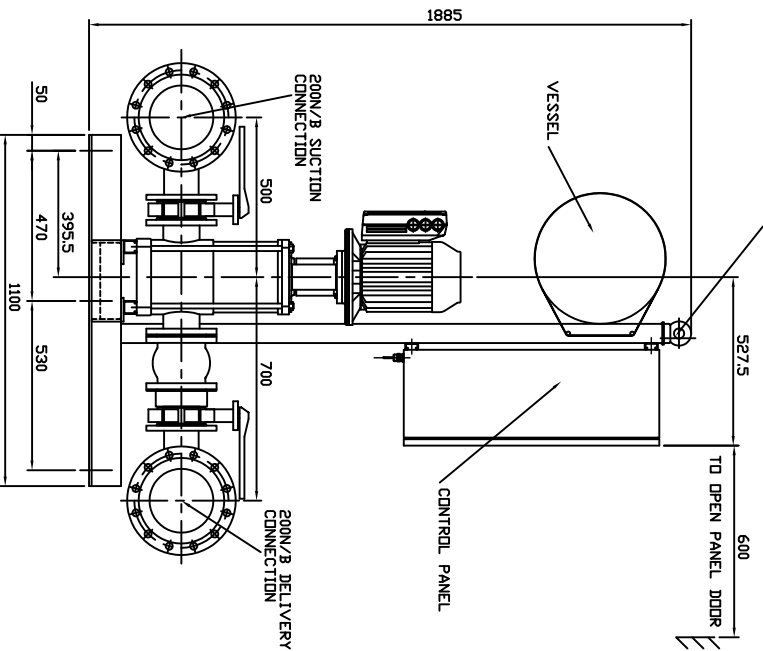
ANTI-VIBRATION MOUNTINGS OPTIONAL ONLY SUPPLIER WHEN ORDERED (6-PER SET K2092/10)



FLEXIBLE CONNECTORS ONLY SUPPLIED WHEN ORDERED (2-PER SET)

NOTE :-

- 1) MAIN POWER SUPPLY TO PANEL MUST BE SIZED TO COVER ALL PUMP RUNNING AT SAME TIME
- 2) LARGE STORAGE VESSELS IF ORDERED WILL BE SUPPLIED LOOSE FOR POSITIONING BY CLIENT TO SUIT THE AVAILABLE FLOOR SPACE. CLIENT IS TO PROVIDE A CONNECTION FROM THE VESSEL TO THE DELIVERY PIPEWORK ADJACENT TO THE SET ISOLATING AND DRAIN VALVES SHOULD BE FITTED IN THIS CONNECTION



LAST MODIFICATION DETAILS		JOB No.		PART No.		WEIGHT KG		FILE NAME	
DRAWING BORDER CHANGED		-		-		-		px10483-1	
ALL DIMENSIONS IN mm DRAWN TO BS308 WELDING SYMBOLS TO BS499 SURFACE FINISH SHOWN IN MICRO METERS MACHINE WHERE SHOWN TO TOLERANCE ± 0.3MM UNLESS OTHERWISE STATED		DESIGN No.		PATTERN No.		MATERIAL		MATL SPEC.	
-		-		-		-		-	
ISSUE DATE: 19/08/2004		DRN PJB		APP EGU		SHEET 1 OF 1		VENLOCK WAY, MANCHESTER, M12 5JL TEL: +44 (0) 161 223 2223	
CHK PJB		APP PJB		APP EGU		SHEET 1 OF 1			