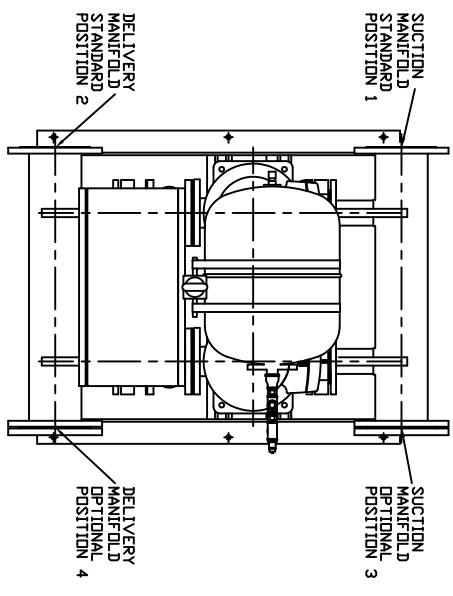


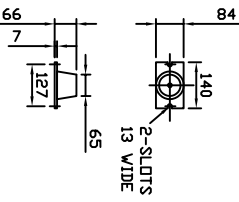
PUMP SIZE	MOTOR KW	FLC AMPS	PUMP WEIGHT KGS	SET WEIGHT KGS	VESSEL SIZE LITRES	WORKING PRESSURE BAR	TEST PRESSURE BAR
4601/1E30T	3.00	6.01	75	450	60	10	15
4601/40T	4.00	8.02	80	460	60	10	15
4602/2E35T	5.50	10.0	102	504	60	10	15
4602/75T	7.50	13.4	108	516	60	10	15

UNCONTROLLED

ALL FLANGES TO BS4504 16BAR



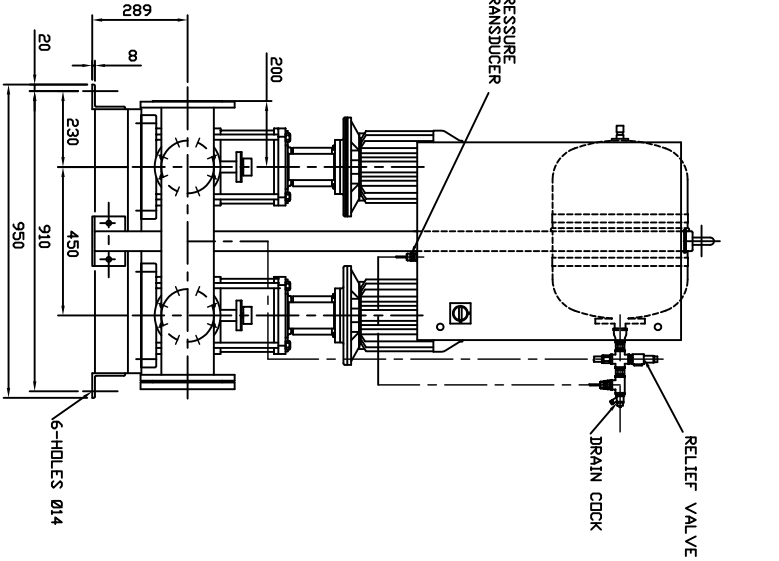
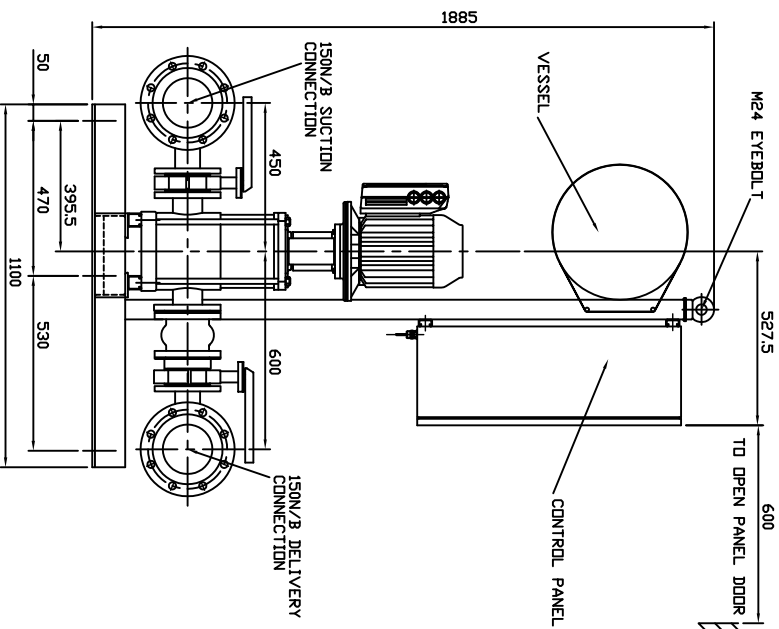
ANTI-VIBRATION MOUNTINGS OPTIONAL ONLY SUPPLIER WHEN ORDERED (6-PER SET K2092/10)



FLEXIBLE CONNECTORS OPTIONAL ONLY SUPPLIED WHEN ORDERED (2-PER SET)

NOTE :-

- 1) MAIN POWER SUPPLY TO PANEL MUST BE SIZED TO COVER ALL PUMP RUNNING AT SAME TIME
- 2) LARGE STORAGE VESSELS IF ORDERED WILL BE SUPPLIED ALONG WITH FOSTER PUMPING BY CLIENT CLIENT IS TO PROVIDE A CONNECTION TO THE DELIVERY PIPEWORK ADJACENT TO THE SET ISOLATING AND DRAIN VALVES SHOULD BE FITTED IN THIS CONNECTION



LAST MODIFICATION DETAILS		JOB No.	PART No.	WEIGHT KG	FILE NAME	TITLE	DRG No.
DRAWING BORDER CHANGED		-	-	-	PX10579-1	GENERAL ARRANGEMENT HYDROPAK IVSL2 SET 46-PUMP MODELS C/W VLT8000 AQUA CONTROL	PX10579-1

ISSUE	DATE	BY	APP	CHK	CHK	SCALE	SHEET
1	19/08/2004	DRN BSD	APP EGU	CHK EGU	EGJ	NTS	1 OF 1



VENLOCK WAY, MANCHESTER, M12 5JL
TEL: +44 (0) 161 223 2223