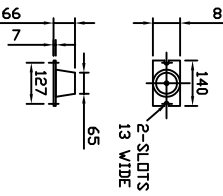


PUMP SIZE	MOTOR K.W	FLC AMPS 3x415V	PUMP WEIGHT KGS	SET WEIGHT KGS	VESSEL SIZE LITRES	WORKING PRESSURE BAR	TEST PRESSURE BAR
4601/FE30T	3.00	6.01	75	624	60	10	15
4601/40T	4.00	8.02	80	639	60	10	15
4602/PE55ST	5.50	10.0	102	705	60	10	12
4607/75T	7.50	13.4	108	723	60	10	15

ALL FLANGES TO BS4504 16BAR

UNCONTOURED

ANTI-VIBRATION MOUNTINGS DRUMMING ONLY SUPPLIER WHEN ORDERED (6-PER SET K2092/10)

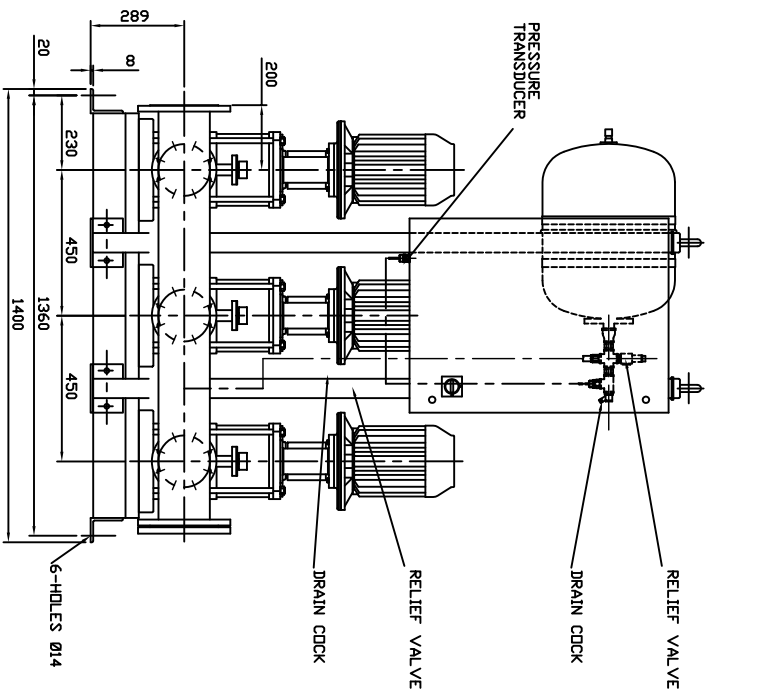
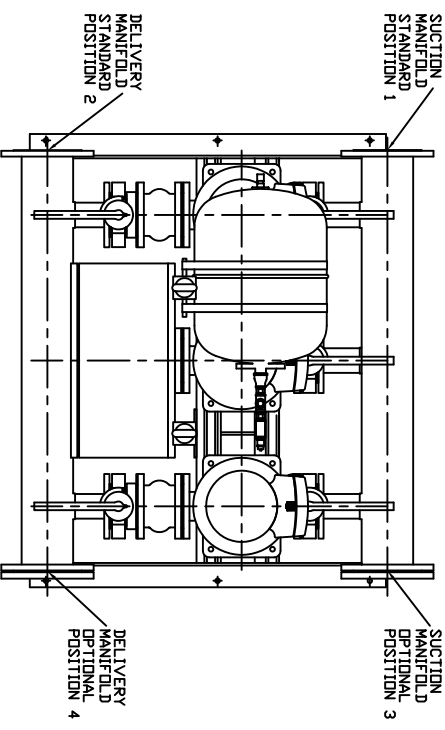
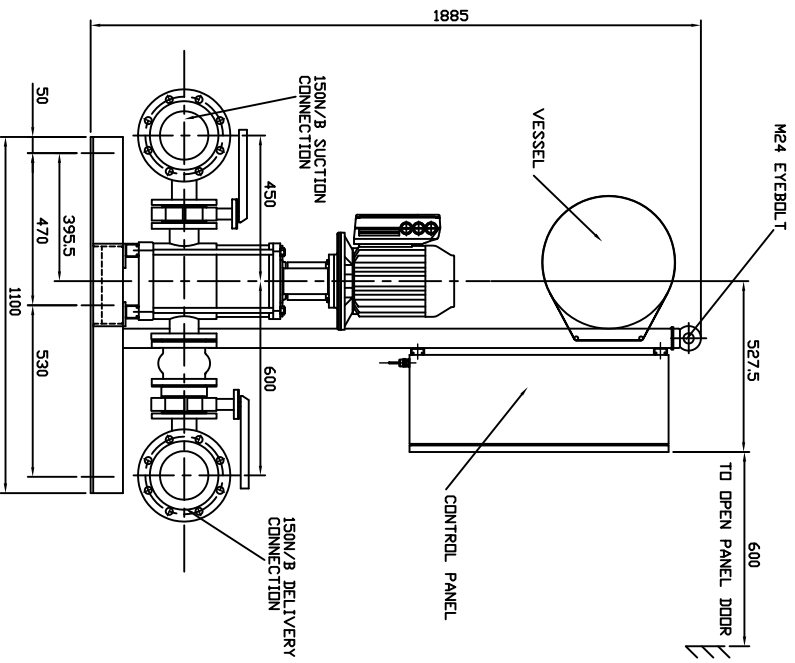


FLEXIBLE CONNECTORS OPTIONAL WHEN ORDERED (2-PER SET)



NOTE :-

- 1) MAIN POWER SUPPLY TO PANEL MUST BE SIZED TO COVER ALL PUMP RUNNING AT SAME TIME
- 2) LARGE STORAGE VESSELS IF ORDERED WILL BE SUPPLIED LOOSE FOR POSITIONING BY CLIENT TO SUIT THE AVAILABLE FLOOR SPACE. CLIENT IS TO PROVIDE A CONNECTION FROM THE VESSEL TO THE DELIVERY PIPEWORK ADJACENT TO THE SET ISOLATING AND DRAIN VALVES SHOULD BE FITTED IN THIS CONNECTION



LAST MODIFICATION DETAILS		JOB No.	PART No.	WEIGHT KG	FILE NAME	TITLE	DRG No.
DRAWING BORDER CHANGED		-	-	-	PX10580-1	GENERAL ARRANGEMENT HYDROPAK IVSL3 SET 46-PUMP MODELS C/W VLT8000 AQUA CONTROL	PX10580-1

ISSUE	DATE	BY	APP	CHK	CHK	SCALE	SHEET
1	02/2006	DRN	PJB	PJB	PJB	NTS	1 OF 1



VENLOCK WAY, MANCHESTER, M12 5JL
 TEL: +44 (0) 161 223 2223