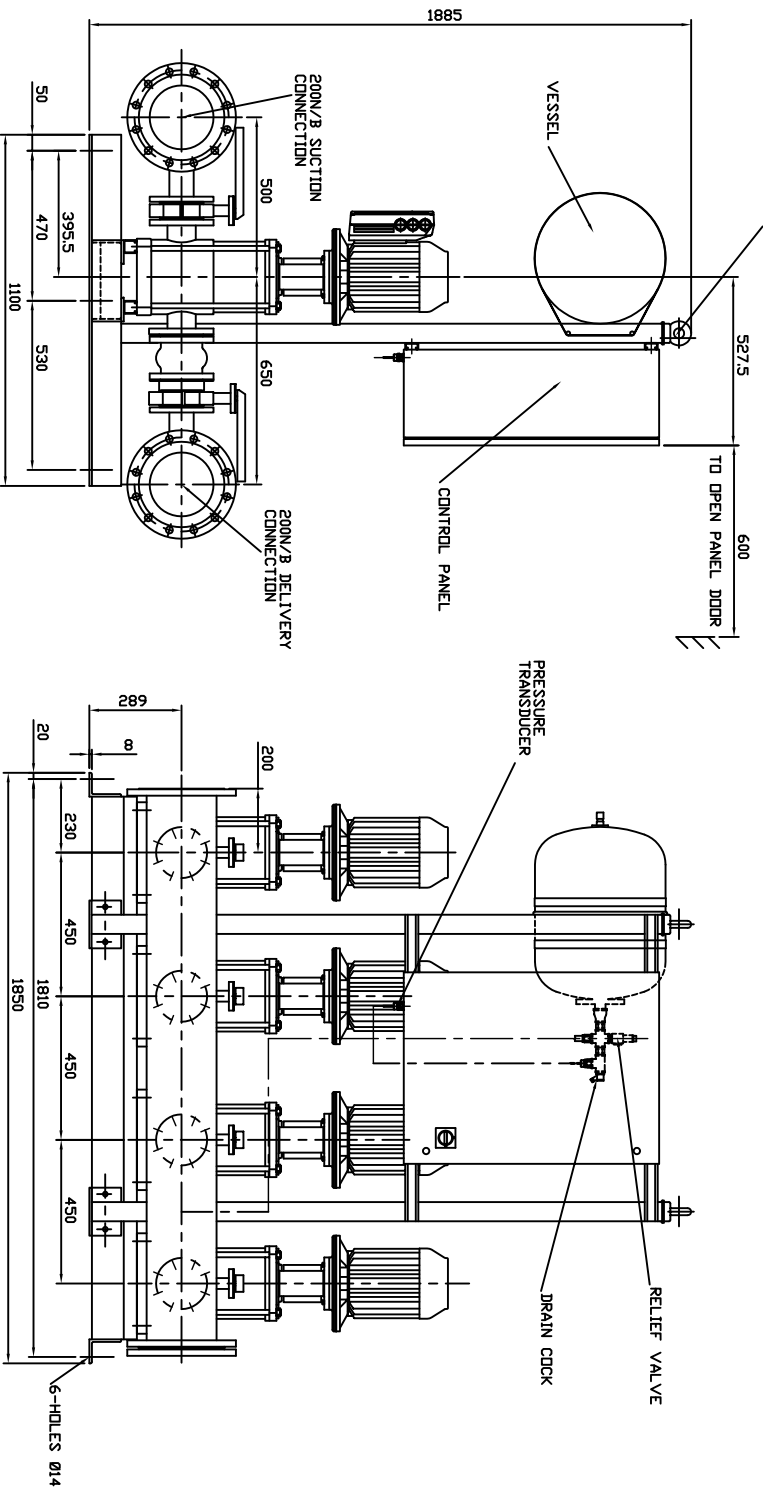
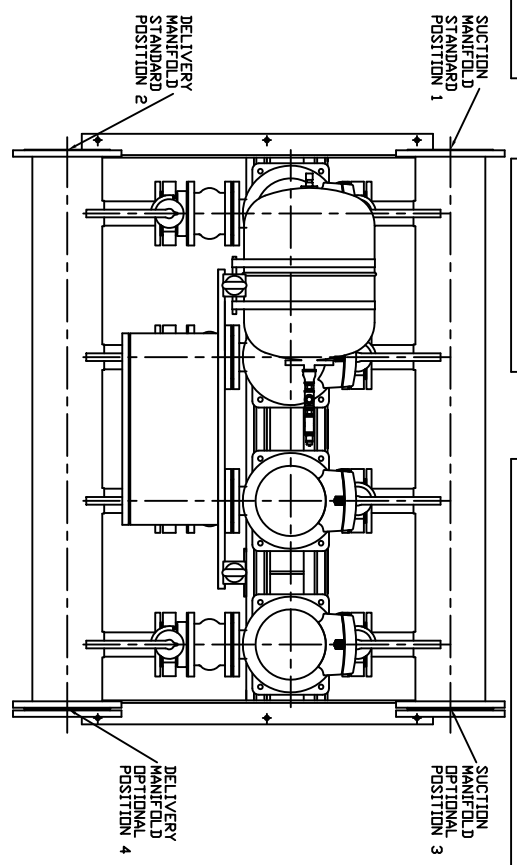


PUMP SIZE	MOTOR KW	FLC AMPS 3x415V	PUMP WEIGHT KGS	SET WEIGHT KGS	VESSEL SIZE LITRES	WORKING PRESSURE BAR	TEST PRESSURE BAR
460T/IE43T	300	6.01	80	991	60	10	15
460T/40T	400	8.02	80	991	60	10	15
460E/45E5T	500	10.0	102	1079	60	10	15
460E/75T	750	13.4	108	1103	60	10	15

UNCONTROLLED



ANTI-VIBRATION MOUNTINGS OPTIONAL. ONLY SUPPLIER WHEN ORDERED (6-PER SET K2092/10)

FLEXIBLE CONNECTORS, ONLY SUPPLIED WHEN ORDERED (2-PER SET)



- NOTE :-
- 1) MAIN POWER SUPPLY TO PANEL MUST BE SIZED TO COVER ALL PUMP RUNNING AT SAME TIME
 - 2) LARGE STORAGE VESSELS IF ORDERED WILL BE SUPPLIED LOOSE FOR POSITIONING. BY CLIENT TO SUIT THE AVAILABLE FLOOR SPACE. CLIENT IS TO PROVIDE A CONNECTION FROM THE VESSEL TO THE DELIVERY PIPEWORK ADJACENT TO THE SET ISOLATING AND DRAIN VALVES SHOULD BE FITTED IN THIS CONNECTION

LAST MODIFICATION DETAILS

DRAWING BORDER CHANGED

ALL DIMENSIONS IN mm
DRAWN TO BS308
WELDING SYMBOLS TO BS499
SURFACE FINISH SHOWN IN MICROMETERS
MACHINE WHERE SHOWN TO TOLERANCE ± 0.3MM UNLESS OTHERWISE STATED

ISSUE 1	DATE 15/02/2006	DRN PJB	APP PJB
---------	-----------------	---------	---------

JOB No.	PART No.	WEIGHT KG	FILE NAME
-	-	-	PX10581-1
DESIGN No.	PATTERN No.	MATERIAL	MATL SPEC.
-	-	-	-

TITLE
GENERAL ARRANGEMENT
HYDROPAK IVSL4 SET
46-PUMP MODELS C/W
VLT8000 AQUA CONTROL

DRG No. PX10581-1

DATE 19/08/2004 DRN BSD
CHK EGU
SCALE NTS
SHEET 1 OF 1

VENLOCK WAY, MANCHESTER, M12 5JL
TEL: +44 (0) 161 223 2223

ARMSTRONG HOLDEN BROOKE PULLEN