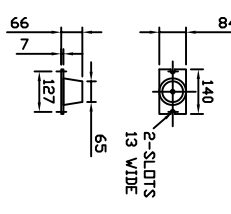


PUMP SIZE	MOTOR KVA	FLC AMPS 3x415V	PUMP WEIGHT KGS	SET WEIGHT KGS	VESSEL SIZE LITRES	WORKING PRESSURE BAR	TEST PRESSURE BAR
4601/1E43T	3.00	6.01	75	1355	60	10	15
4601/4A0T	4.00	8.02	60	1580	60	10	15
4602/2E55T	5.50	10.2	102	1580	60	10	15
4602/4E55T	7.50	13.4	108	1920	60	10	15
4602/75T	7.50	13.4	108	1420	60	10	15

UNCONVENTIONALLY

ANTI-VIBRATION MOUNTINGS OPTIONAL - ONLY SUPPLIER WHEN ORDERED
 (6-PER SET K2092/10)

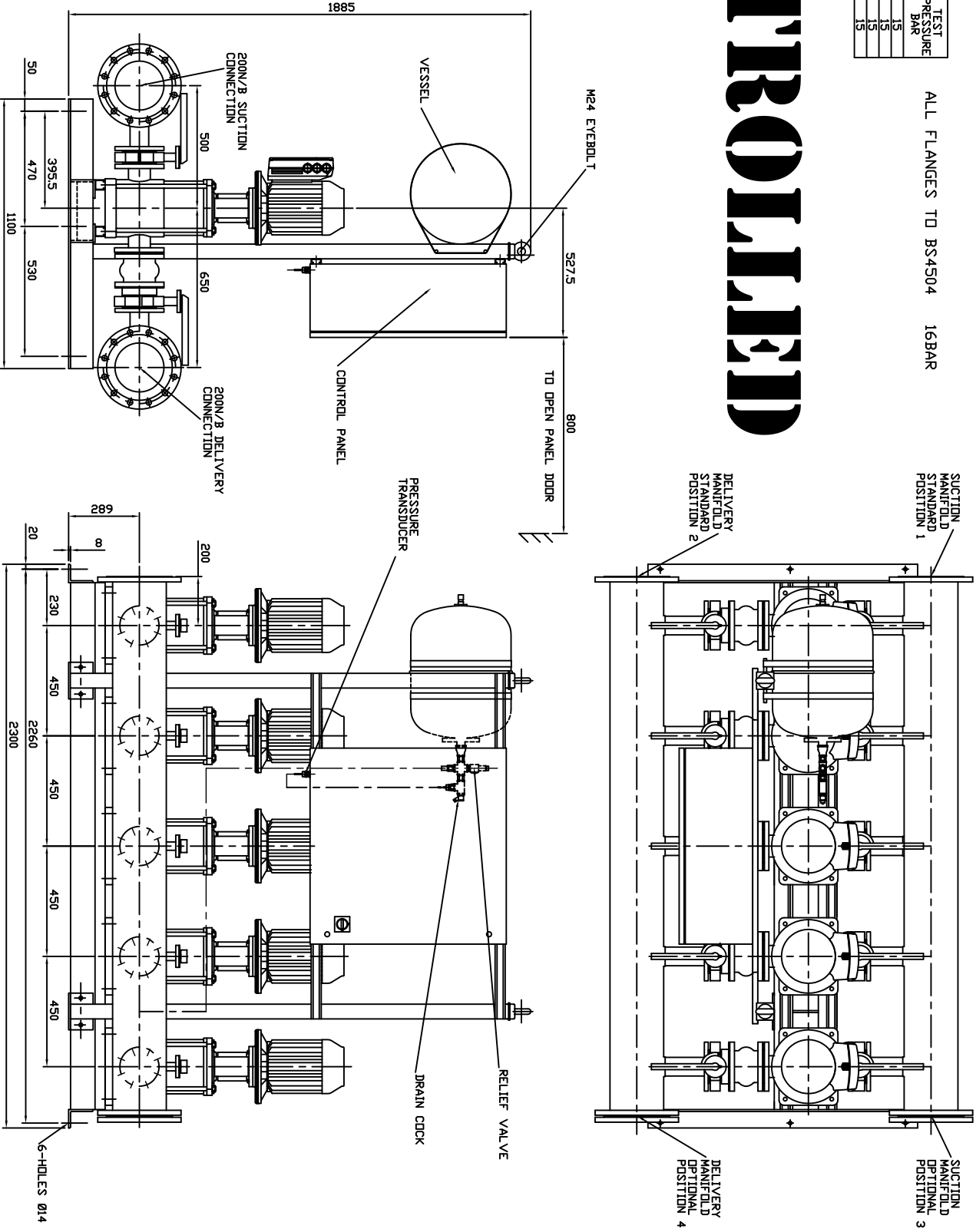


FLEXIBLE CONNECTORS OPTIONAL - ONLY SUPPLIED WHEN ORDERED (2-PER SET)



NOTE :-

- 1) MAIN POWER SUPPLY TO PANEL MUST BE SIZED TO COVER ALL PUMP RUNNING AT SAME TIME
- 2) LARGE STORAGE VESSEL S.F. ORDERED WILL BE SUPPLIED LOOSE FOR POSITIONING BY CLIENT TO SUIT THE AVAILABLE FLOOR SPACE. CLIENT IS TO PROVIDE A CONNECTION FROM THE VESSEL TO THE DELIVERY PIPEWORK ADJACENT TO THE SET ISOLATING AND DRAIN VALVES SHOULD BE FITTED IN THIS CONNECTION



LAST MODIFICATION DETAILS
 DRAWING BORDER CHANGED

ALL DIMENSIONS IN mm
 DRAWN TO BS308
 WELDING SYMBOLS TO BS499
 SURFACE FINISH SHOWN IN MICRO METERS
 MACHINE WHERE SHOWN UNLESS OTHERWISE STATED

JOB No.	PART No.	WEIGHT KG	FILE NAME
-	-	-	Px10582-1

DESIGN No.	PATTERN No.	MATERIAL	MAT'L SPEC.
-	-	-	-

THIS DRAWING IS THE PRIVATE AND CONFIDENTIAL PROPERTY OF ARMSTRONG HOLDEN BROOKE PULLEN LTD. ALL COPYRIGHT, MANUFACTURING AND SALES RIGHTS RESERVED.

TITLE
 GENERAL ARRANGEMENT
 HYDROPAK IVSLS SET
 46-PUMP MODELS C/W
 VLT8000 AQUA CONTROL

DRG No.
PX10582-1

DATE	BY	APP
19/08/2004	DRN BSD	APP EGU

SCALE NTS SHEET 1 OF 1



VENLOCK WAY, MANCHESTER, M12 5JL
 TEL: +44 (0) 161 223 2223