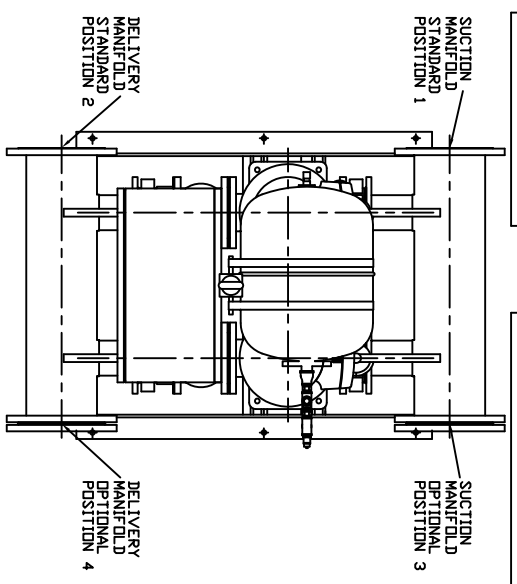


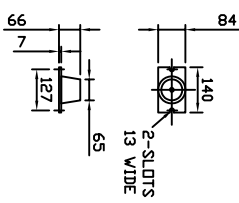
PUMP SIZE	MOTOR KW	FLC AMPS	PUMP WEIGHT KGS	SET WEIGHT KGS	VESSEL SIZE LITRES	WORKING PRESSURE BAR	TEST PRESSURE BAR
920L/1.5ST	5.50	10.0	107	658	60	10	15
920L/1.75ST	7.50	13.4	113	670	60	10	15

ALL FLANGES TO BS4504 16BAR

UNCONTROLLED



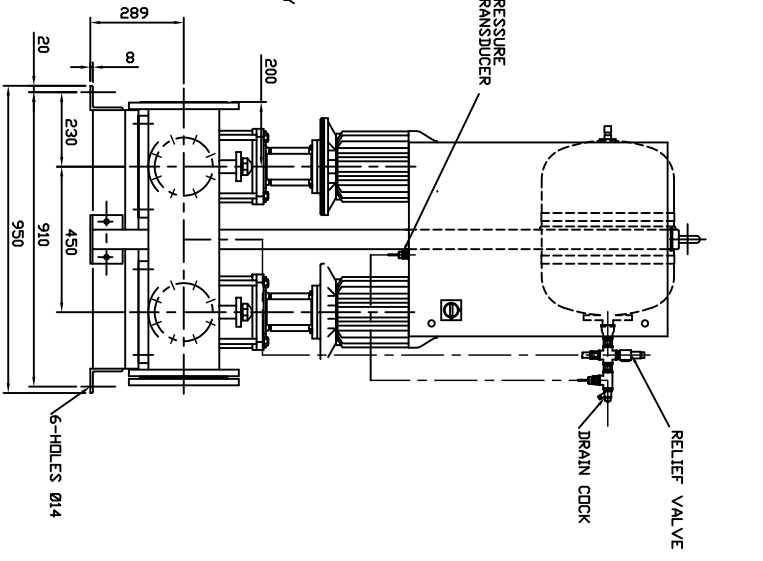
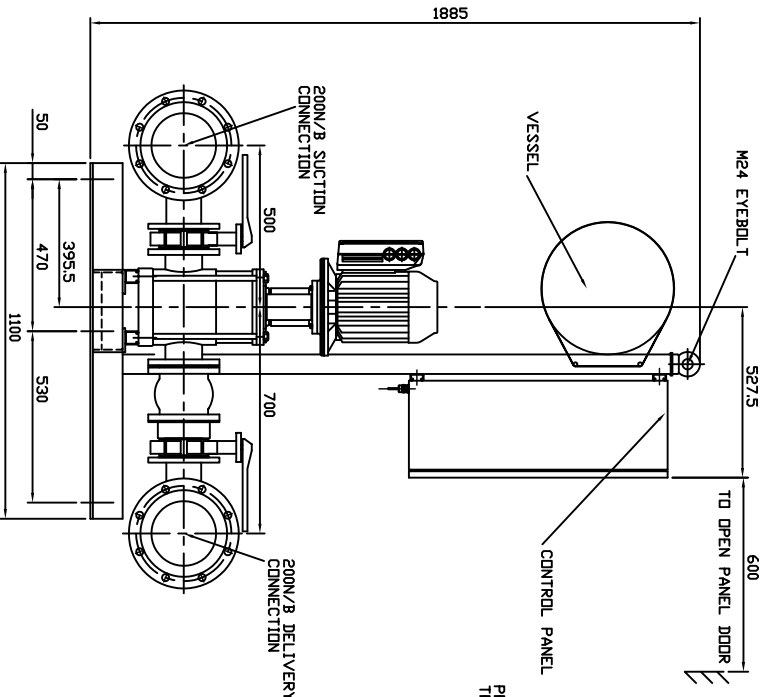
ANTI-VIBRATION MOUNTINGS OPTIONAL ONLY SUPPLIER WHEN ORDERED (6-PER SET K2092/10)



FLEXIBLE CONNECTORS OPTIONAL WHEN ORDERED (2-PER SET)

NOTE :-

- 1) MAIN POWER SUPPLY TO PANEL MUST BE SIZED TO COVER ALL PUMP RUNNING AT SAME TIME
- 2) LARGE STORAGE VESSELS, IF ORDERED, WILL BE SUPPLIED LOOSE FOR POSITIONING BY CLIENT TO SUIT THE AVAILABLE FLOOR SPACE. CLIENT IS TO PROVIDE A CONNECTION FROM THE VESSEL TO THE DELIVERY PIPEWORK ADJACENT TO THE SET ISOLATING AND DRAIN VALVES SHOULD BE FITTED IN THIS CONNECTION



LAST MODIFICATION DETAILS		JOB No.	PART No.	WEIGHT KG	FILE NAME	TITLE
DRAWING BORDER CHANGED		-	-	-	PX10589-1	GENERAL ARRANGEMENT
ISSUE DATE 15/02/2006		DESIGN No.	PATTERN No.	MATERIAL	MATL SPEC.	HYDROPAK IVSL2 SET
CHK PJB		-	-	-	-	92-PUMP MODELS

DRAWING BORDER CHANGED		DRG No.	DATE	BY	APP	SCALE
DRAWING BORDER CHANGED		PX10509-1	01/11/2004	EGJ	EGJ	NTS
ISSUE DATE 15/02/2006		DRN BSD				
CHK PJB		APP EGU				



VENLOCK WAY, MANCHESTER, M12 5JL
 TEL: +44 (0) 161 223 2223