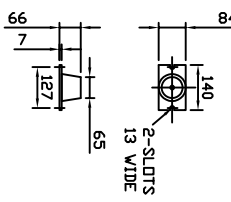


PUMP SIZE	MOTOR KVA	FLC AMPS 3x415V	PUMP WEIGHT KGS	SET WEIGHT KGS	VESSEL WORKING PRESSURE BAR	TEST PRESSURE BAR
9200/1/FSST	5.50	10.0	107	784	60	10
9200/F/ST	7.50	13.4	113	802	60	10
					60	15

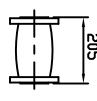
ALL FLANGES TO BS4504 16BAR

UNCONTROLLED

ANTI-VIBRATION MOUNTINGS OPTIONAL ONLY SUPPLIER WHEN ORDERED (6-PER SET K2092/100)

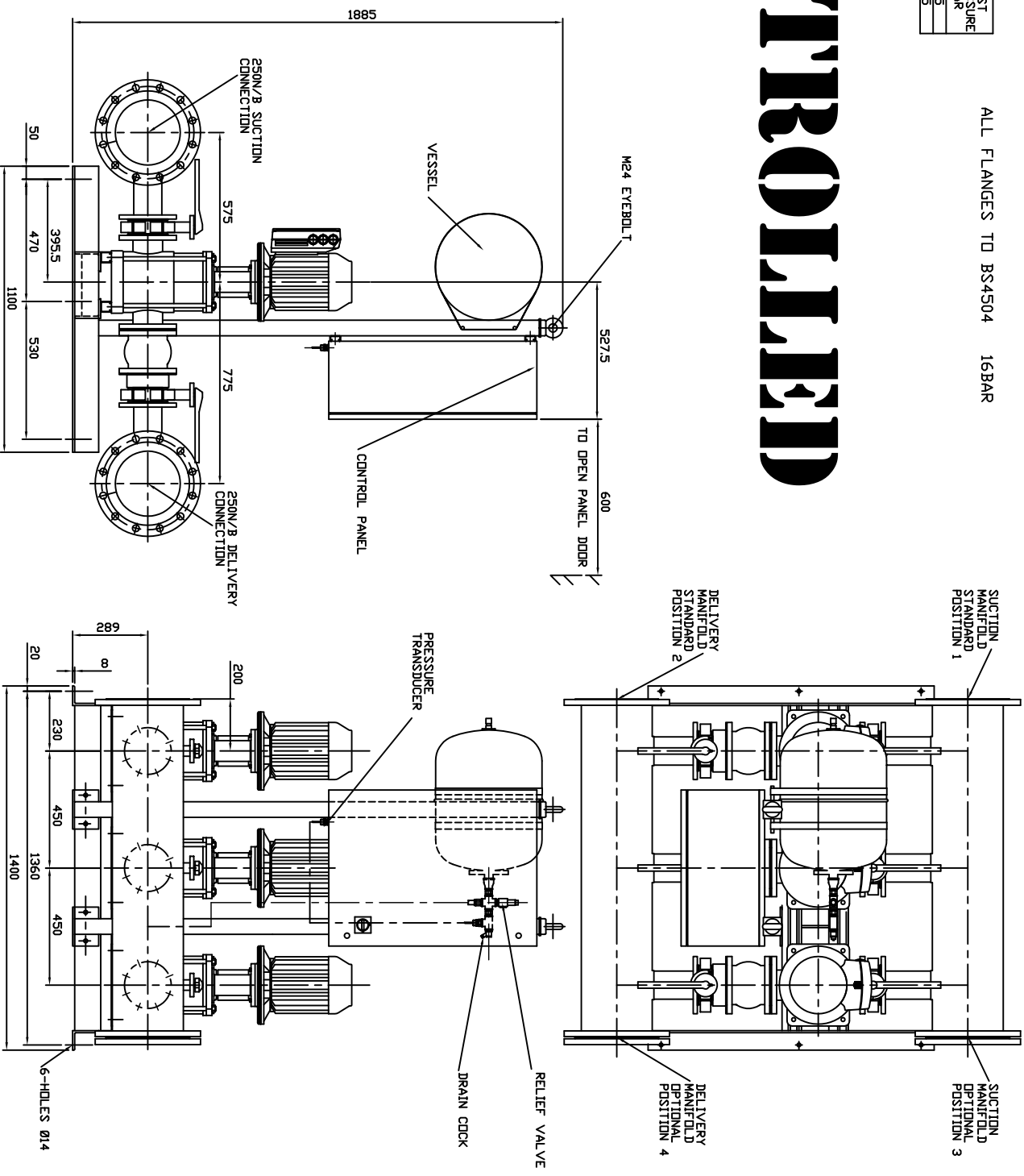


FLEXIBLE CONNECTORS OPTIONAL ONLY SUPPLIED WHEN ORDERED (2-PER SET)



NOTE :-

- 1) MAIN POWER SUPPLY TO PANEL MUST BE SIZED TO COVER ALL PUMP RUNNING AT SAME TIME
- 2) LARGE STORAGE VESSELS IF ORDERED WILL BE SUPPLIED LOOSE FOR POSITIONING BY CLIENT TO SUIT THE AVAILABLE FLOOR SPACE. CLIENT IS TO PROVIDE A CONNECTION FROM THE VESSEL TO THE DELIVERY PIPEWORK ADJACENT TO THE SET ISOLATING AND DRAIN VALVES SHOULD BE FITTED IN THIS CONNECTION



LAST MODIFICATION DETAILS		JOB No.	PART No.	WEIGHT KG	FILE NAME	TITLE
DRAWING BORDER CHANGED		-	-	-	PX10590-1	GENERAL ARRANGEMENT
DRAWING TO BS308 WELDING SYMBOLS TO BS499 SURFACE FINISH SHOWN IN MICRO METERS MACHINE WHERE SHOWN TO TOLERANCE ± 0.3MM UNLESS OTHERWISE STATED		DESIGN No.	PATTERN No.	MATERIAL	MATL SPEC.	HYDROPAK IVSL3 SET 92-PUMP MODELS

ISSUE	DATE	BY	APP	CHK	CHK	SCALE	SHEET
1	02/2006	DRN	PJB	PJB	PJB	NTS	1 OF 1

DRG No. PX10590-1

DATE 01/11/2004 DRN BSD

CHK EGU APP EGU

VENLOCK WAY, MANCHESTER, M12 5JL
 TEL: +44 (0) 161 223 2223

ARMSTRONG HOLDEN BROOKE PULLEN