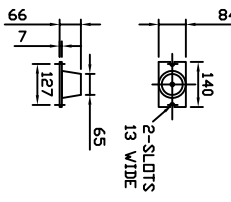


PUMP SIZE	MOTOR KW	FLC AMPS 3x415V	PUMP WEIGHT KGS	SET WEIGHT KGS	VESSEL SIZE LITRES	WORKING PRESSURE BAR	TEST PRESSURE BAR
920J/1E55T	5.50	10.0	10.7	11.62	60	10	15
920J/1E75T	7.50	13.4	11.3	11.86	60	10	15

ALL FLANGES TO BS4504 16BAR

UNCONTROLLED

ANTI-VIBRATION MOUNTINGS OPTIONAL ONLY SUPPLIER WHEN ORDERED (6-PER SET K2092/10)

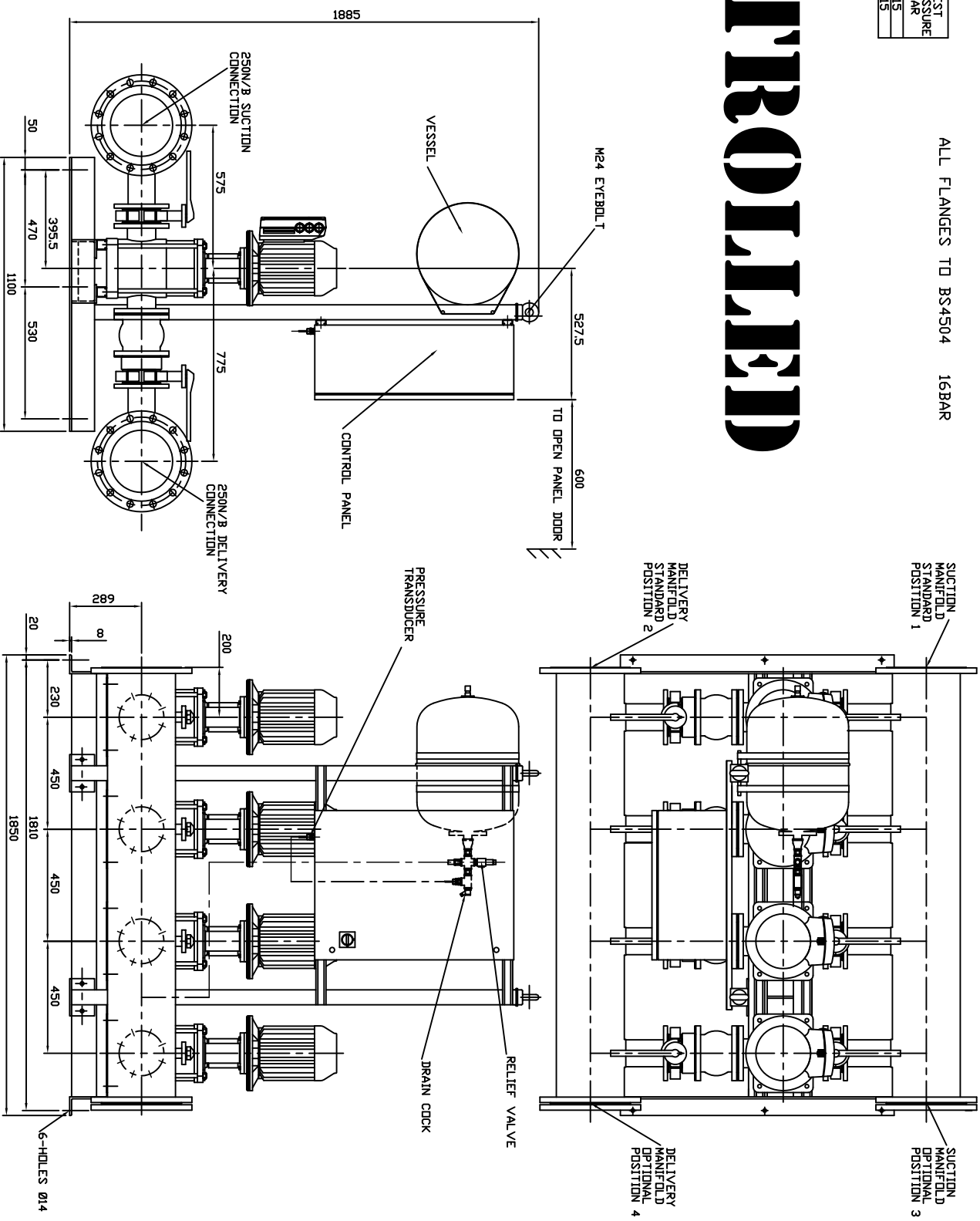


FLEXIBLE CONNECTORS OPTIONAL ONLY SUPPLIED WHEN ORDERED (2-PER SET)



NOTE :-

- 1) MAIN POWER SUPPLY TO PANEL MUST BE SIZED TO COVER ALL PUMP RUNNING AT SAME TIME
- 2) LARGE STORAGE VESSEL S/JF ORDERED WILL BE SUPPLIED LOOSE FOR POSITIONING BY CLIENT TO SUIT THE AVAILABLE FLOOR SPACE. CLIENT IS TO PROVIDE A CONNECTION FROM THE VESSEL TO THE DELIVERY PIPEWORK ADJACENT TO THE SET ISOLATING AND DRAIN VALVES SHOULD BE FITTED IN THIS CONNECTION



LAST MODIFICATION DETAILS
DRAWING BORDER CHANGED

JOB No.	PART No.	WEIGHT KG	FILE NAME
-	-	-	PX10591-1
DESIGN No.	PATTERN No.	MATERIAL	MATL SPEC.
-	-	-	-

TITLE
GENERAL ARRANGEMENT
HYDROPAC IVSL4 SET
92-PUMP MODELS

DRG No.	DATE	CHK	APP
PX10591-1	01/11/2004	EGJ	EGJ
SCALE	NTS	SHEET	1 OF 1
VENLOCK WAY, MANCHESTER, M12 5JL TEL: +44 (0) 161 223 2223			



ALL DIMENSIONS IN mm
DRAWN TO BS308
WELDING SYMBOLS TO BS499
SURFACE FINISH SHOWN IN MICRO METERS
MACHINE WHERE SHOWN TO TOLERANCE ± 0.3MM UNLESS OTHERWISE STATED

THIS DRAWING IS THE PRIVATE AND CONFIDENTIAL PROPERTY OF ARMSTRONG HOLDEN BROOKE PULLEN LTD. ALL COPYRIGHT, MANUFACTURING AND SALES RIGHTS RESERVED.

ISSUE DATE: 02/2006
CHK: PJB
APP: PJB

VENLOCK WAY, MANCHESTER, M12 5JL
TEL: +44 (0) 161 223 2223