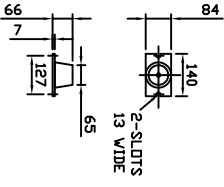


PUMP SIZE	MOTOR KVA	FLC AMPS 3x415V	PUMP WEIGHT KGS	SET WEIGHT KGS	VESSEL WORKING SIZE LITRES	TEST PRESSURE BAR
920/1E55T	5.50	10.0	107	1595	60	10
920/1E75T	7.50	13.4	113	1750	60	15

ALL FLANGES TO BS4504 16BAR

UNCONTOURABLED

ANTI-VIBRATION MOUNTINGS OPTIONAL ONLY SUPPLIER WHEN ORDERED (6-PER SET K2092/10)

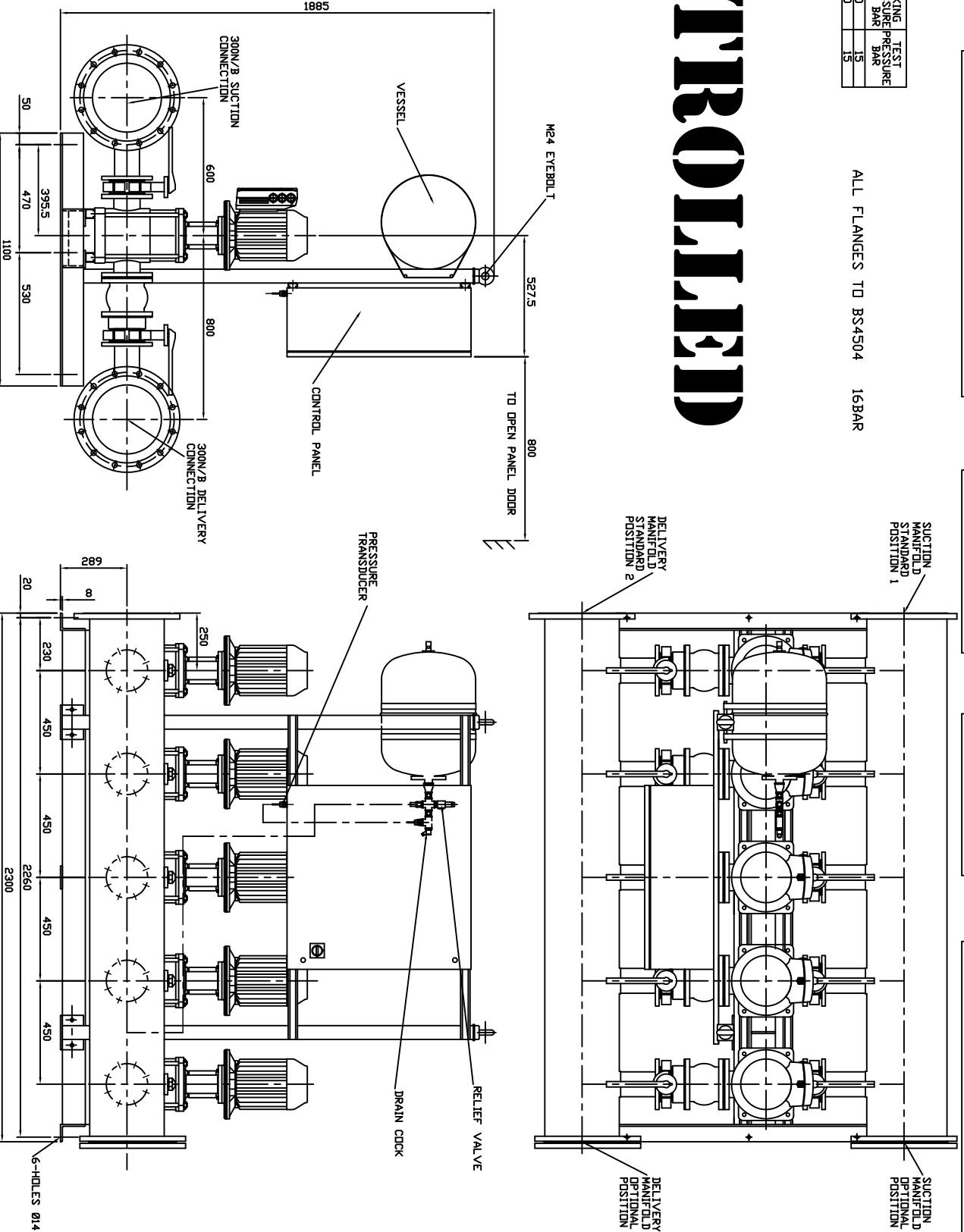


FLEXIBLE CONNECTORS OPTIONAL ONLY SUPPLIED WHEN ORDERED (6-PER SET)



NOTE 1-

- 1) MAIN POWER SUPPLY TO PANEL MUST BE SIZED TO COVER ALL PUMP RUNNING AT SAME TIME
- 2) LARGE STORAGE VESSELS IF ORDERED WILL BE SUPPLIED LOOSE FOR POSITIONING BY CLIENT TO SUIT THE AVAILABLE FLOOR SPACE. CLIENT IS TO PROVIDE A CONNECTION FROM THE VESSEL TO THE DELIVERY PIPEWORK ADJACENT TO THE SET INSULATING AND DRAIN VALVES SHOULD BE FITTED IN THIS CONNECTION



LAST MODIFICATION DETAILS
DRAWING BORDER CHANGED

ISSUE	DATE	BY	DRN	PJB	APP	PJB
1	02/2006	CHK	DATE	15/02/2006	APP	PJB

ALL DIMENSIONS IN mm
DRAWN TO BS308
WELDING SYMBOLS TO BS499
SURFACE FINISH SHOWN IN MICROMETERS
MACHINE WHERE SHOWN UNLESS OTHERWISE STATED

JOB No.	PART No.	WEIGHT KG	FILE NAME
-	-	-	PX10592-1

DESIGN No.	PATTERN No.	MATERIAL	MAT'L SPEC.
-	-	-	-

THIS DRAWING IS THE PRIVATE AND CONFIDENTIAL PROPERTY OF ARMSTRONG HOLDEN BROOKE PULLEN LTD. ALL COPYRIGHT, MANUFACTURING AND SALES RIGHTS RESERVED.

TITLE
GENERAL ARRANGEMENT
HYDROPAK IVSLS SET
92-PUMP MODELS

DRG No.	DATE	BY	DRN	BSD
PX10592-1	01/11/2004	CHK	DATE	11/11/2004

SCALE	NTS	SHEET	1 OF 1
SCALE	NTS	SHEET	1 OF 1

VENLOCK WAY, MANCHESTER, M12 5JL
TEL: +44 (0) 161 223 2223

