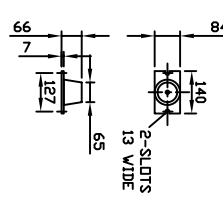


PUMP SIZE	MOTOR KW	FLC AMPS 3x415V	PUMP WEIGHT KGS	SET WEIGHT KGS
6602/1E110T	110	200	148	700
6602/1T	110	200	148	700
6603/2E150T	150	270	184	844
6603/2T	150	270	184	844
6603/1E15T	185	331	202	916
6604/2E185T	185	331	207	916
6604/2T	220	389	213	927
6604/1E20T	220	389	213	927
6604/2E30T	300	340	237	1063

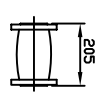
ALL FLANGES TO BS4504  
 MAX WORKING PRESSURE 15BAR  
 TEST PRESSURE 22.5BAR

# UNCONTROLLED

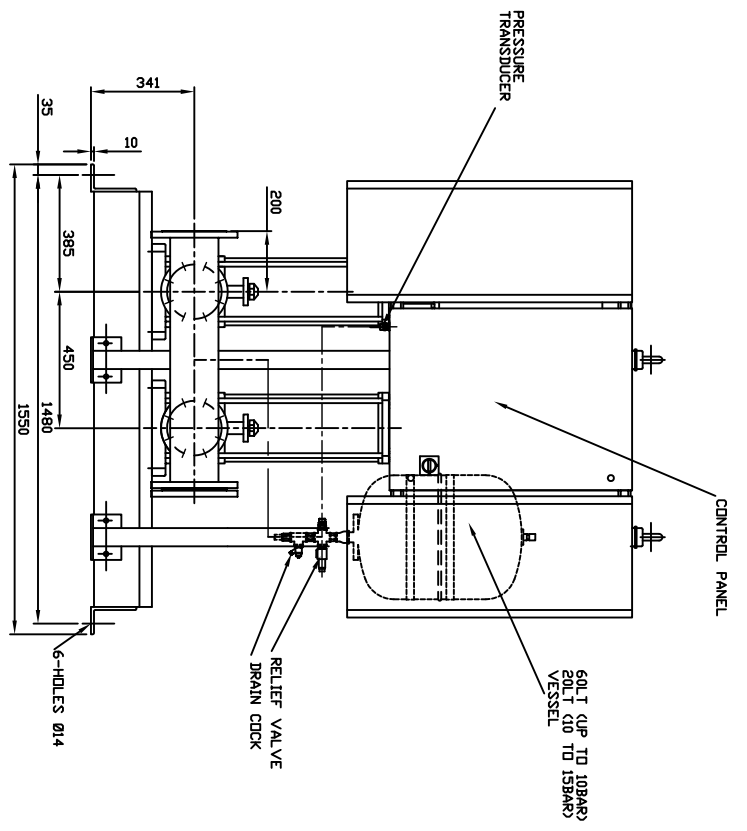
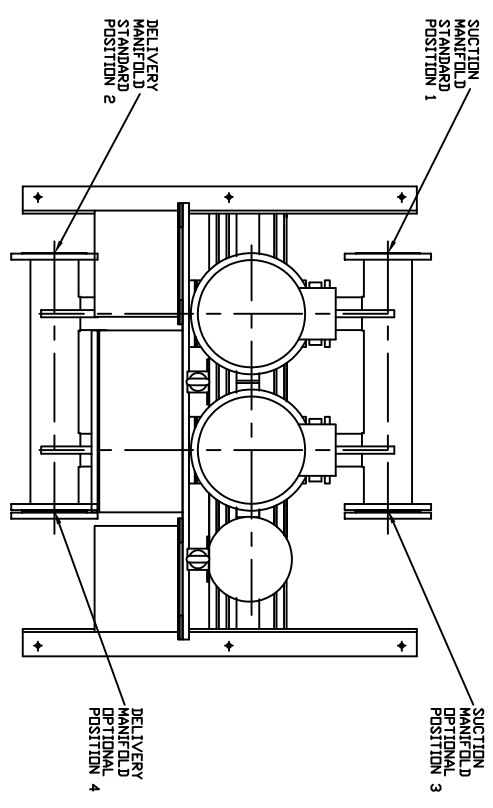
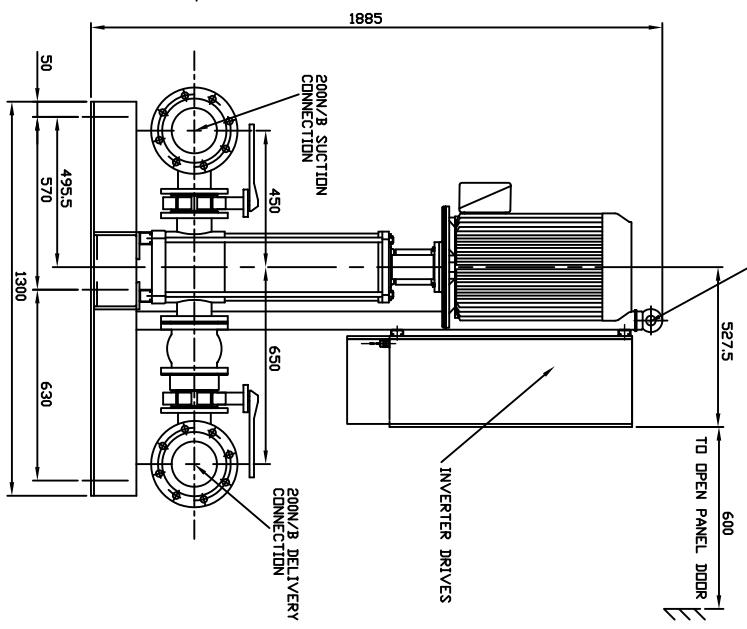
ANTI-VIBRATION MOUNTING OPTION AVAILABLE WHEN ORDERED (6-PER SET K2092/10)



FLEXIBLE CONNECTIONS OPTIONAL D.N.Y SUPPLIED WHEN ORDERED (2-PER SET)



- NOTE -
- 1) MAIN POWER SUPPLY TO PANEL BE SUPPLIED TO CDB BY PUMP RUNNING AT SAME TIME
  - 2) LARGE STORAGE VESSELS IF ORDERED WILL BE SUPPLIED LOOSE FOR POSITIONING BY CLIENT TO SUIT THE AVAILABLE CONNECTION FROM THE VESSEL TO THE DELIVERY PIPEWORK ADJACENT TO THE SET INSULATING AND DRAIN VALVES SHOULD BE FITTED IN THIS CONNECTION



LAST MODIFICATION DETAILS

ISSUE	DATE	DRN	APP
-	-	-	-
CHK	-	APP	-

JOB No.	PART No.	WEIGHT KG	FILE NAME
-	-	-	-
DESIGN No.	PATTERN No.	MATERIAL	MATL SPEC.
-	-	-	-

ALL DIMENSIONS IN mm  
 DRAWN TO BS308  
 WELDING SYMBOLS TO BS499  
 SURFACE FINISH SHOWN IN MICROMETERS  
 MACHINE WHERE SHOWN TO TOLERANCE + 0.3MM UNLESS OTHERWISE STATED

THIS DRAWING IS THE PRIVATE AND CONFIDENTIAL PROPERTY OF ARMSTRONG HOLDEN BROOKE PULLEN LTD. ALL COPYRIGHT, MANUFACTURING AND SALES RIGHTS RESERVED.

TITLE  
 GENERAL ARRANGEMENT  
 HYDROPAK IVSL2 SET  
 66-PUMPS MODELS

DRG No.
PX10599
DATE 21/09/2005
CHK BSD
SCALE 1:1

ARMSTRONG HOLDEN BROOKE PULLEN

VENLOCK WAY, MANCHESTER, M12 5JL  
 TEL: +44 (0) 161 223 2223