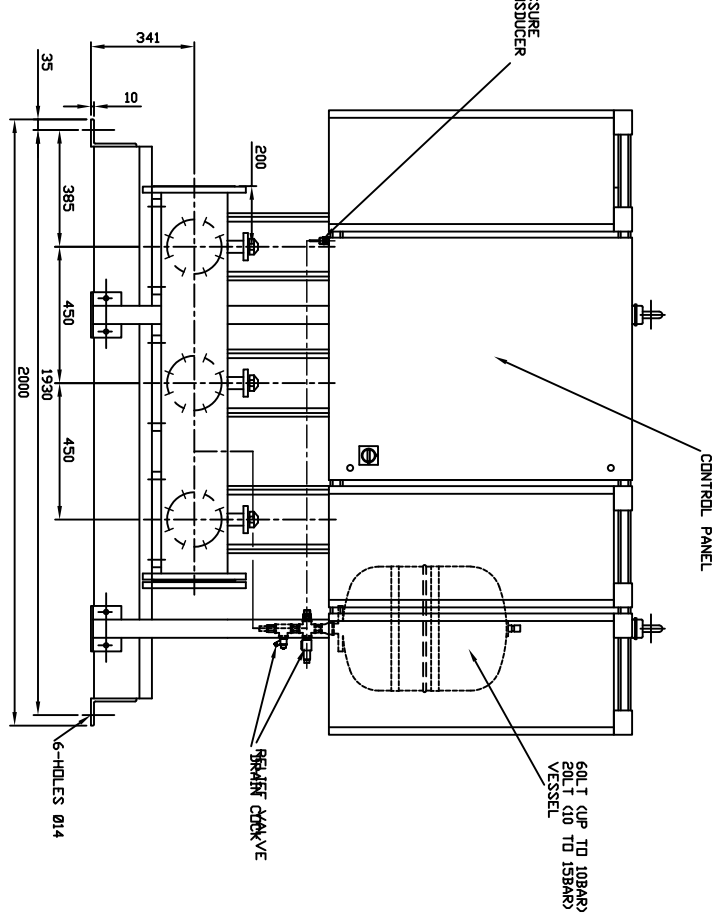
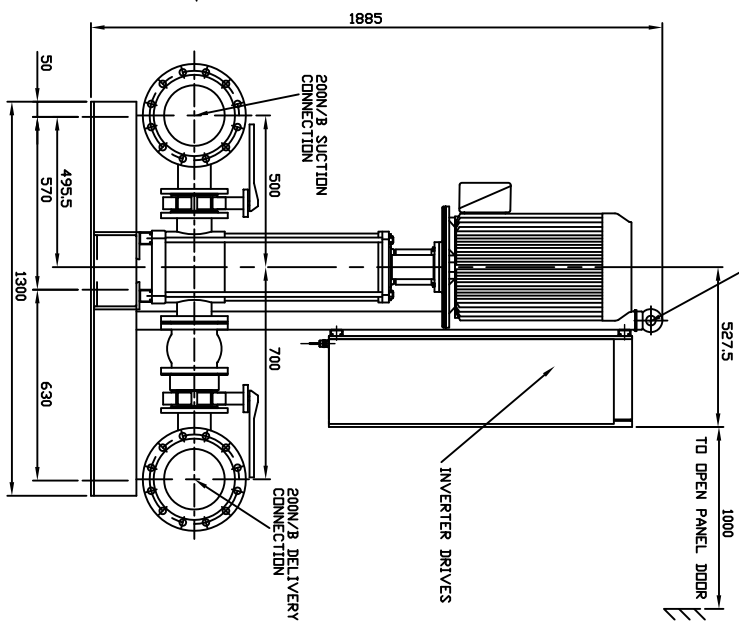
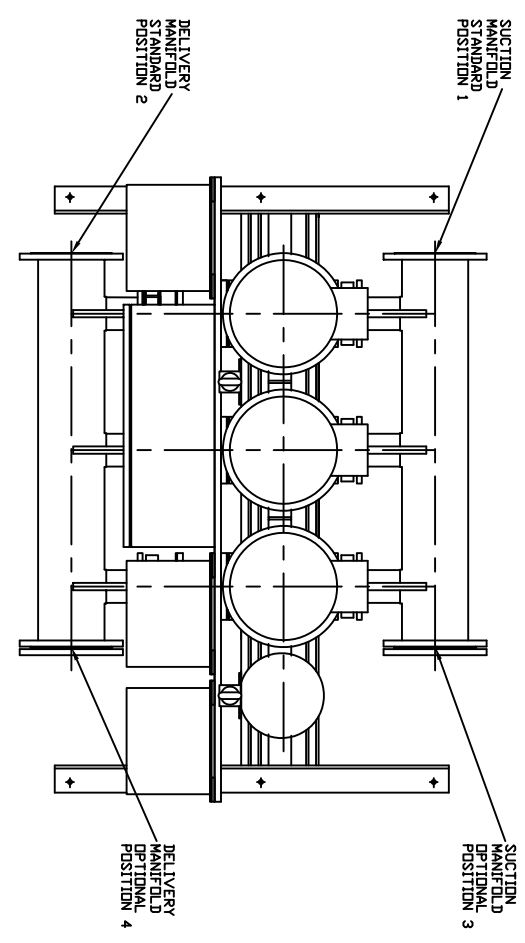


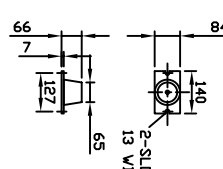
| PUMP SIZE | MOTOR KW | FLC AMPS 3x415V | PUMP WEIGHT KGS | SET WEIGHT KGS |
|-------------|----------|-----------------|-----------------|----------------|
| 6602/1E110T | 110 | 200 | 148 | 1168 |
| 6602/1T | 110 | 200 | 148 | 1168 |
| 6603/2E150T | 150 | 270 | 184 | 1312 |
| 6603/2T | 150 | 270 | 184 | 1312 |
| 6603/1E15T | 185 | 331 | 202 | 1384 |
| 6603/1E15T | 185 | 331 | 202 | 1384 |
| 6604/1E20T | 220 | 389 | 213 | 1428 |
| 6604/1E20T | 220 | 389 | 213 | 1428 |
| 6605/2E300T | 300 | 340 | 237 | 1534 |

ALL FLANGES TO BS4504
 MAX WORKING PRESSURE 15BAR
 TEST PRESSURE 22.5BAR

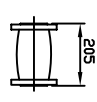
UNCONTROLLED



ANTI-VIBRATION MOUNTING OPTION SUPPLIER WHEN ORDERED (6-PER SET K2092/10)



FLEXIBLE CONNECTORS OPTIONAL D.N.Y SUPPLIED WHEN ORDERED (2-PER SET)



- NOTE -
- 1) MAIN POWER SUPPLY TO PANEL BE EXCEEDED TO CDPER PUMP RUNNING AT SAME TIME
 - 2) LARGE STORAGE VESSELS IF ORDERED WILL BE SUPPLIED LOOSE FOR POSITIONING BY CLIENT TO SUIT THE AVAILABLE CONNECTION FROM THE VESSEL TO THE DELIVERY PIPEWORK ADJACENT TO THE SET ISOLATING AND DRAIN VALVES SHOULD BE FITTED IN THIS CONNECTION

LAST MODIFICATION DETAILS

| ISSUE | DATE | CHK | DRN | APP |
|-------|------|-----|-----|-----|
| - | - | - | - | - |

| JOB No. | PART No. | WEIGHT KG | FILE NAME |
|---------|----------|-----------|-----------|
| - | - | - | - |

ALL DIMENSIONS IN mm
 DRAWN TO BS308
 WELDING SYMBOLS TO BS499
 SURFACE FINISH SHOWN IN MICROMETERS
 MACHINE WHERE SHOWN TO TOLERANCE + 0.3MM UNLESS OTHERWISE STATED

DESIGN No. - PATTERN No. - MATERIAL - MATL SPEC. -

THIS DRAWING IS THE PRIVATE AND CONFIDENTIAL PROPERTY OF ARMSTRONG HOLDEN BROOKE PULLEN LTD. ALL COPYRIGHT, MANUFACTURING AND SALES RIGHTS RESERVED.

TITLE
 GENERAL ARRANGEMENT
 HYDROPAC IVSL3 SET
 66-PUMPS MODELS

DRG No. PX10600

DATE 20/09/2005 DRN BSD
 CHK BSD APP PK
 SCALE 1:1 SHEET 1 OF 1

ARMSTRONG HOLDEN BROOKE PULLEN
 VENLOCK WAY, MANCHESTER, M12 5JL
 TEL: +44 (0) 161 223 2223