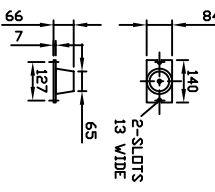


PUMP SIZE	MOTOR KW	FLC AMPS 3x415V	PUMP WEIGHT KGS	SET WEIGHT KGS
4603/2/110T	110	200	142	670
4603/2/11T	110	200	142	670
4604/2/150T	150	270	176	814
4604/2/150T	150	270	176	814
4605/2/195T	185	331	198	886
4605/2/195T	185	331	198	886

ALL FLANGES TO BS4504  
 MAX WORKING PRESSURE 15BAR  
 TEST PRESSURE 22.5BAR

# UNCONTROLLED

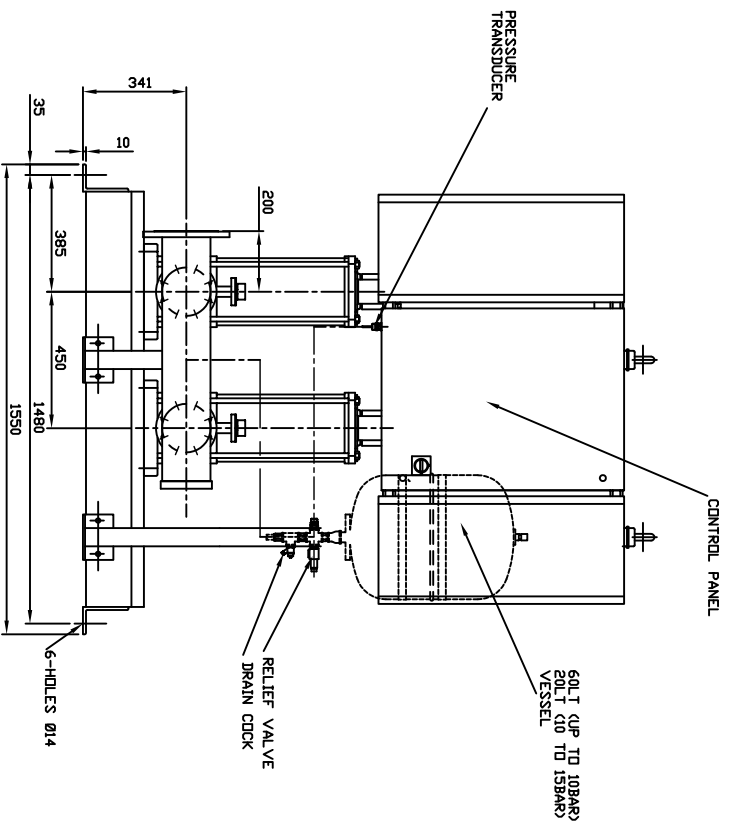
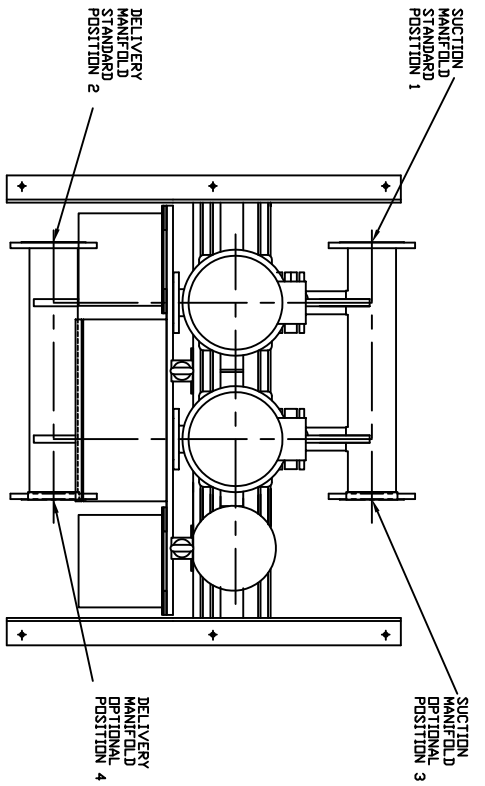
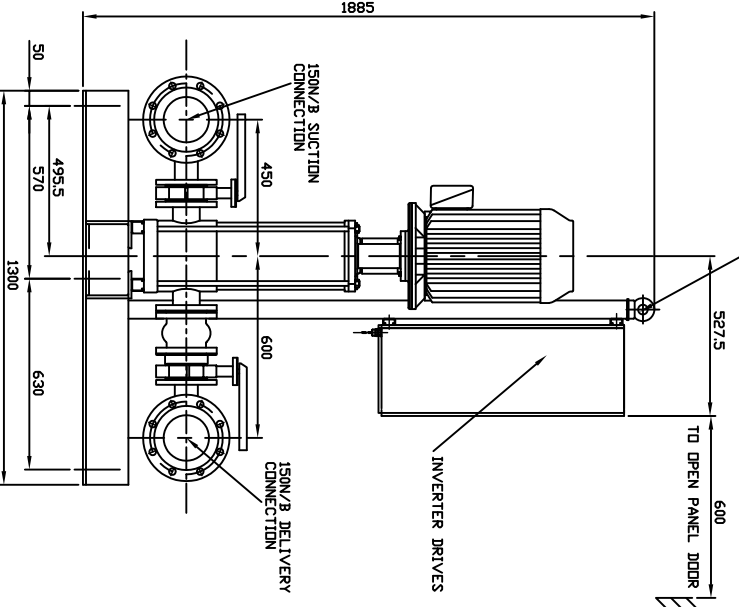
ANTI-VIBRATION MOUNTING OPTION AVAILABLE WHEN ORDERED (6-PER SET K2092/10)



FLEXIBLE CONNECTORS OPTIONAL (WHEN ORDERED) (2-PER SET)



- NOTE :-
- 1) MAIN POWER SUPPLY TO PANEL DRAWN BE EXPLICIT TO USER PUMP RUNNING AT SAME TIME
  - 2) LARGE STORAGE VESSELS IF ORDERED WILL BE SUPPLIED LOOSE FOR POSITIONING BY CLIENT TO SUIT THE AVAILABLE CONNECTION FROM THE VESSEL TO THE DELIVERY PIPEWORK ADJACENT TO THE SET ISOLATING AND DRAIN VALVES SHOULD BE FITTED IN THIS CONNECTION



LAST MODIFICATION DETAILS

ISSUE	DATE	DRN	APP
-	-	-	-
CHK	-	APP	-

JOB No.	PART No.	WEIGHT KG	FILE NAME
-	-	-	-
DESIGN No.	PATTERN No.	MATERIAL	MATL SPEC.
-	-	-	-

TITLE  
 GENERAL ARRANGEMENT  
 HYDROPAC IVSL2 SET  
 46-PUMPS MODELS

DRG No.
PX10603

**ARMSTRONG HOLDEN BROOKE PULLEN**  
 VENLOCK WAY, MANCHESTER, M12 5JL  
 TEL: +44 (0) 161 223 2223