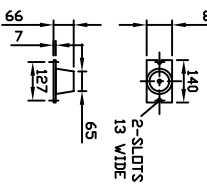


PUMP SIZE	MOTOR KW	FLC AMPS 3x415V	PUMP WEIGHT KGS	SET WEIGHT KGS
4603/EF10T	11.0	20.0	142	1123
4603/EF11	11.0	20.0	142	1123
4604/EF150T	15.0	27.0	176	1267
4604/EF150T	15.0	27.0	176	1267
4605/EF195T	18.5	33.1	198	1339
4605/EF195T	18.5	33.1	198	1339

ALL FLANGES TO BS4504
 MAX WORKING PRESSURE 15BAR
 TEST PRESSURE 22.5BAR

UNCONTROLLED

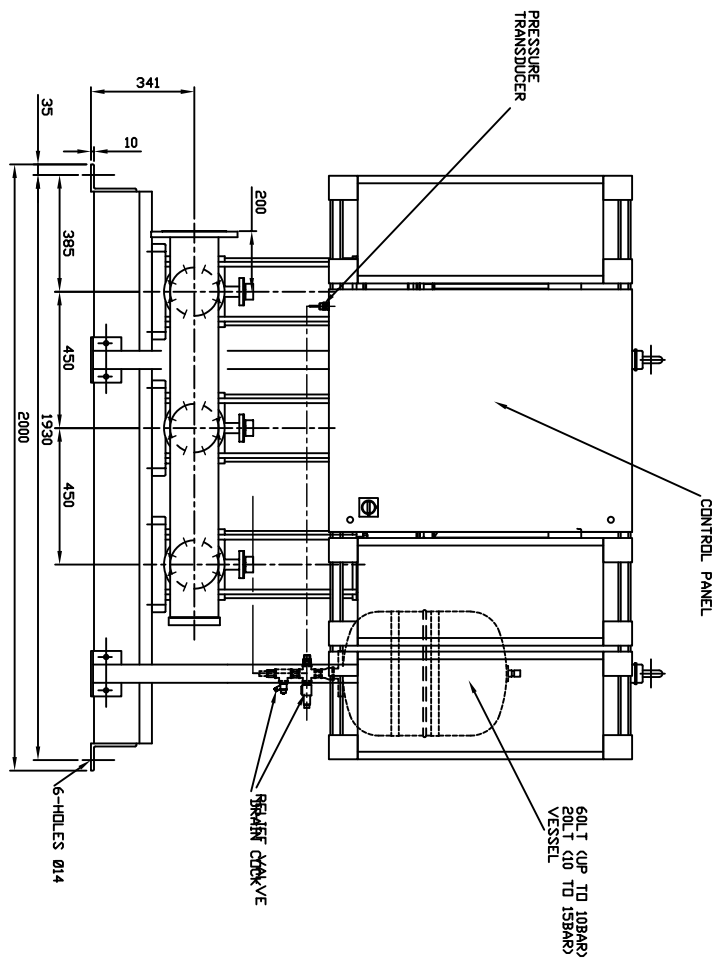
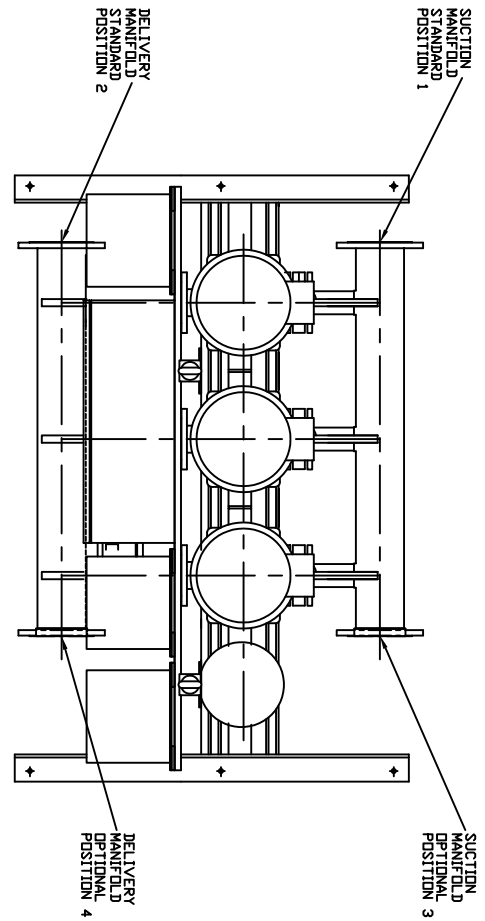
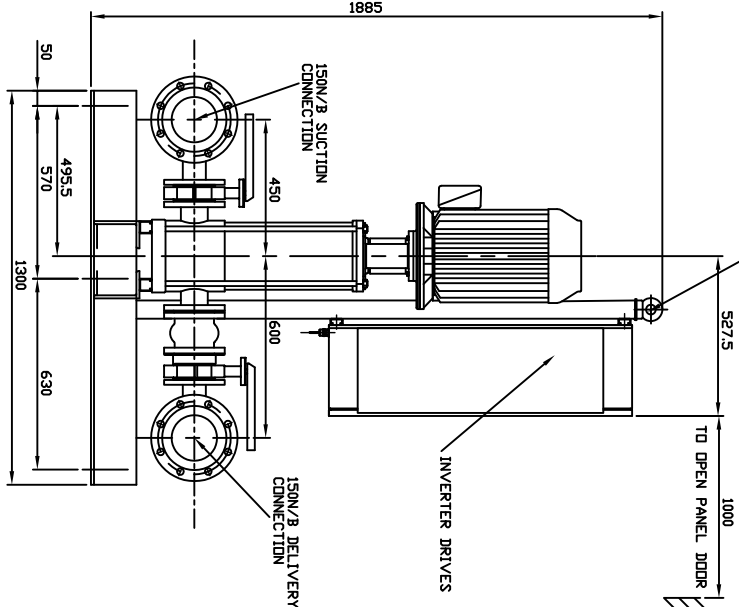
ANTI-VIBRATION MOUNTING OPTION SUPPLIER WHEN ORDERED (6-PER SET K2092/10)



FLEXIBLE CONNECTORS OPTIONAL ONLY SUPPLIED WHEN ORDERED (2-PER SET)



- NOTE -
- 1) MAIN POWER SUPPLY TO PANEL MUST BE EXCEEDED TO CDP PER PUMP RUNNING AT SAME TIME
 - 2) LARGE STORAGE VESSELS IF ORDERED WILL BE SUPPLIED LOOSE FOR POSITIONING BY CLIENT TO SUIT THE PREVIOUS A CONNECTION FROM THE VESSEL TO THE DELIVERY PIPEWORK ADJACENT TO THE SET ISOLATING AND DRAIN VALVES SHOULD BE FITTED IN THIS CONNECTION



LAST MODIFICATION DETAILS

ISSUE	DATE	CHK	DRN	APP	JOB No.	PART No.	WEIGHT KG	FILE NAME
-	-	-	-	-	-	-	-	-

TITLE
 GENERAL ARRANGEMENT
 HYDROPAK IVSL3 SET
 46-PUMPS MODELS

DRG No. PX10604

DATE 07/10/2005 DRN BSD
 CHK BSD APP PK
 SCALE 1:1 SHEET 1 OF 1

ARMSTRONG HOLDEN BROOKE PULLEN
 VENLOCK WAY, MANCHESTER, M12 5JL
 TEL: +44 (0) 161 223 2223