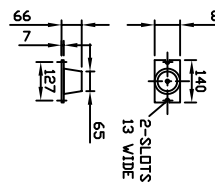


PUMP SIZE	MOTOR KW	FLC AMPS 3x415V	PUMP WEIGHT KGS	SET WEIGHT KGS
4603/2/110T	11.0	20.0	142	1576
4603/2/111	11.0	20.0	142	1576
4604/2/150T	15.0	27.0	175	1720
4604/2/150T	15.0	27.0	175	1720
4605/2/195T	18.5	33.1	198	1792
4605/2/195T	18.5	33.1	198	1792

ALL FLANGES TO BS4504
 MAX WORKING PRESSURE 15BAR
 TEST PRESSURE 22.5BAR

UNCONTROLLED

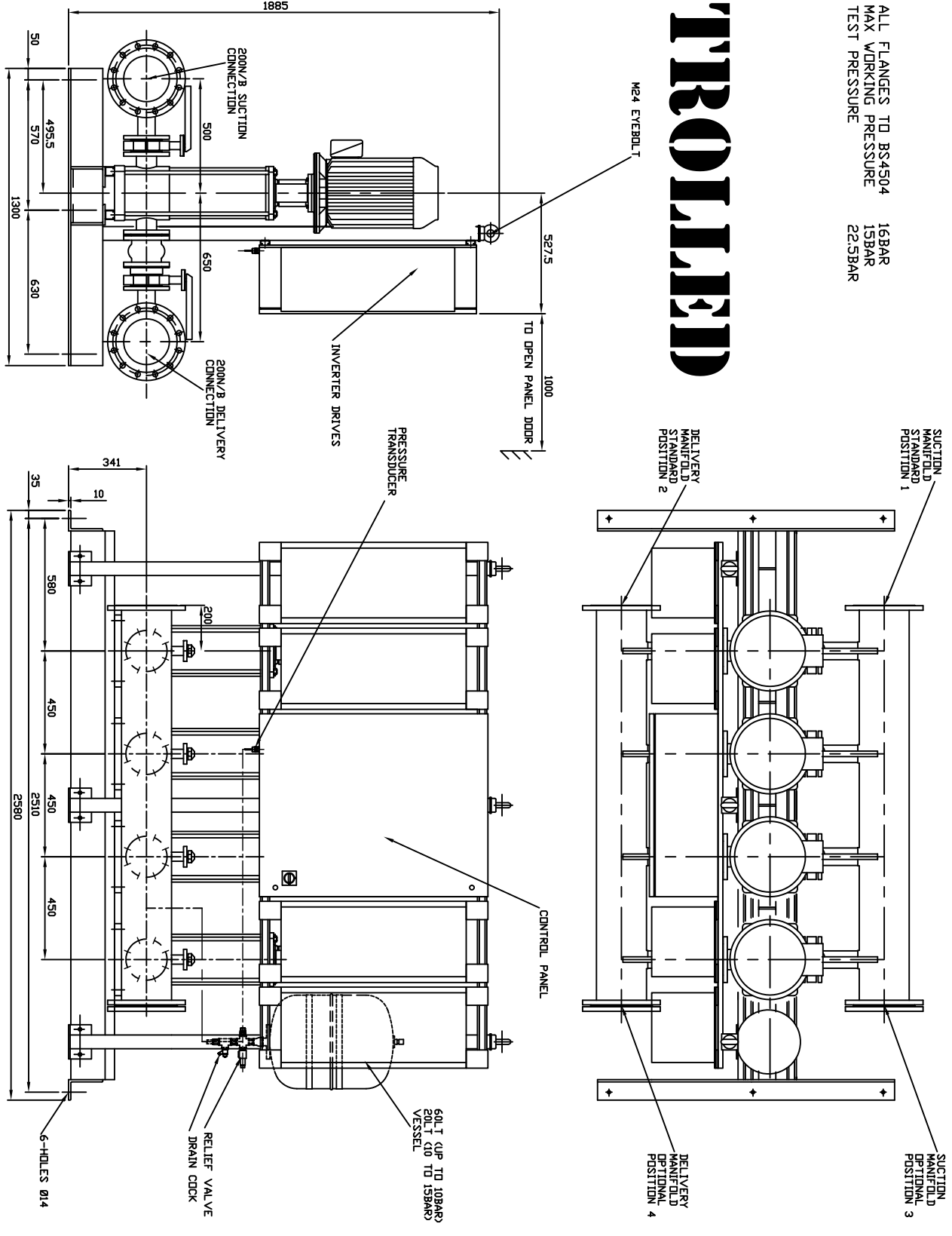
ANTI-VIBRATION MOUNTING OPTION SUPPLIER WHEN ORDERED (6-PER SET K2092/10)



FLEXIBLE CONNECTORS OPTIONAL D.N.Y SUPPLIED WHEN ORDERED (2-PER SET)



- NOTE -
- 1) MAIN POWER SUPPLY TO PANEL DRAWN TO BS308
 - 2) LARGE STORAGE VESSELS IF ORDERED WILL BE SUPPLIED LOOSE FOR POSITIONING BY CLIENT
 - 3) ALL PARTS TO PERFORM A CONNECTION FROM THE VESSEL TO THE DELIVERY PIPEWORK ADJACENT TO THE SET ISOLATING AND DRAIN VALVES SHOULD BE FITTED IN THIS CONNECTION



LAST MODIFICATION DETAILS

ISSUE	DATE	CHK	DRN	APP
-	-	-	-	-

JOB No.	PART No.	WEIGHT KG	FILE NAME
-	-	-	-

DESIGN No.	PATTERN No.	MATERIAL	MATL SPEC.
-	-	-	-

ALL DIMENSIONS IN mm
 DRAWN TO BS308
 WELDING SYMBOLS TO BS499
 SURFACE FINISH SHOWN IN MICROMETERS
 MACHINE WHERE SHOWN TO TOLERANCE + 0.3MM UNLESS OTHERWISE STATED

THIS DRAWING IS THE PRIVATE AND CONFIDENTIAL PROPERTY OF ARMSTRONG HOLDEN BROOKE PULLEN LTD. ALL COPYRIGHT, MANUFACTURING AND SALES RIGHTS RESERVED.

TITLE
 GENERAL ARRANGEMENT
 HYDROPAK IVSL4 SET
 46-PUMPS MODELS

DRG No. PX10605

DATE 10/10/2005
 CHK BSD
 SCALE 1:1

DRN BSD
 APP PK
 SHEET 1 OF 1

ARMSTRONG HOLDEN BROOKE PULLEN
 VENLOCK WAY, MANCHESTER, M12 5JL
 TEL: +44 (0) 161 223 2223