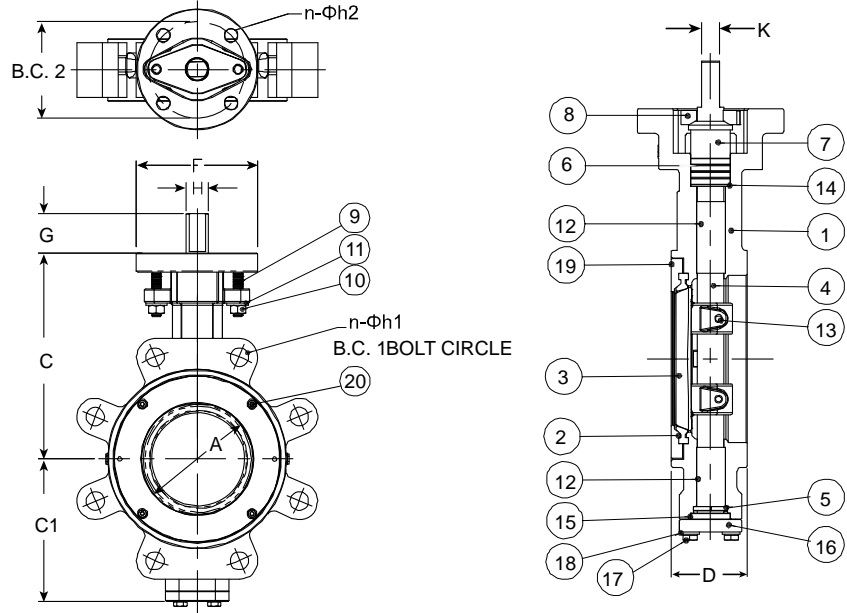


ANSI 250 Butterfly Valves

SUBMITTAL

JOB: _____	REPRESENTATIVE: _____
ENGINEER: _____	ORDER NO: _____ DATE: _____
CONTRACTOR: _____	SUBMITTED BY: _____ DATE: _____
	APPROVED BY: _____ DATE: _____

Parts		
Item No.	Name	Material
1	Body	A351-CF8M
2	Seat Ring	RTFE
3	Disc	A351-CF8M
4	Stem	17-4 PH
5	Retainer Ring	316
6	Packing	PTFE
7	Packing Gland	316
8	Gland Flange	A351-CF8M
9	Gland Blot	316
10	Gland Nut	316
11	Spring Washer	316
12	Bush Bearing	316 + PTFE
13	Disc Pin	316
14	Packing Retainer	316
15	Cap Packing	PTFE
16	End Cap	A351-CF8M
17	Cap Bolt	316
18	Spring Washer	316
19	Seat Retainer	A351-CF8M
20	Retainer Bolt	316



*Dimensions subject to change without notice

Valve Size	A	C	C1	D	F	G	H	K	Flange Dimension			Mounting Base		
									B.C. 1	n	Φh1	B.C. 2	n	Φh2
									2.50 (65)	2.36 (60)	5.87 (149)	4.02 (102)	1.85 (47)	4.02 (102)
3.00 (80)	2.87 (73)	6.30 (160)	4.41 (112)	1.89 (48)	4.02 (102)	1.26 (32)	0.626 (16)	0.437 (11)	6.62 (168)	8	3/4" - 10 UNC	3.25 (82)	4	0.43
4.00 (100)	3.74 (95)	7.01 (178)	4.88 (124)	2.13 (54)	4.02 (102)	1.26 (32)	0.748 (19)	0.500 (13)	7.88 (198)	8	3/4" - 10 UNC	3.25 (82)	4	0.43

Note: All measurements are in inches (mm).

S. A. Armstrong Limited
 23 Bertrand Avenue
 Toronto, Ontario
 Canada, M1L 2P3
 T: (416) 755-2291
 F (Main): (416) 759-9101

Armstrong Pumps Inc.
 93 East Avenue
 North Tonawanda, New York
 U.S.A. 14120-6594
 T: (716) 693-8813
 F: (716) 693-8970

Armstrong Integrated Limited
 Wenlock Way
 Manchester
 United Kingdom, M12 5JL
 T.: +44 (0) 8444 145 145
 F.: +44 (0) 8444 145 146



© S.A. Armstrong Limited 2010