

AG-R THREE SPEED CIRCULATORS

SUBMITTAL

JOB: _____	REPRESENTATIVE: _____
_____	_____
ENGINEER: _____	ORDER NO: _____ DATE: _____
CONTRACTOR: _____	SUBMITTED BY: _____ DATE: _____
_____	APPROVED BY: _____ DATE: _____

Quantity	TAG No.	Model No.	Flow (m³/hr)	Head (m)	Comments

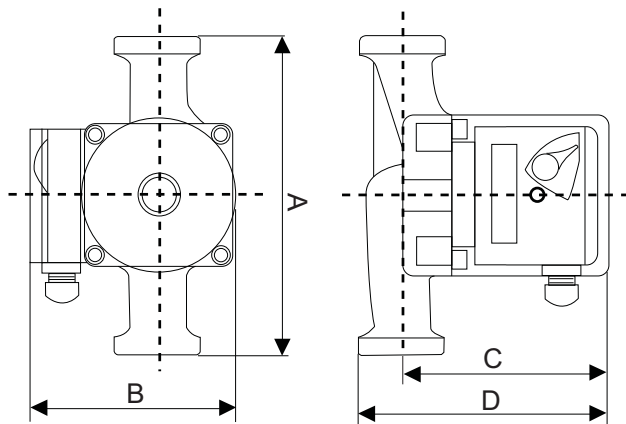
TECHNICAL DATA	
Flow Range	0 - 10.5 m³/hr (0 - 2.92 L/s)
Head Range	0 - 8 m (0 - 26.24 ft)
Motor	230 V, 50 Hz, Single Phase
Maximum Fluid Temperature	110°C (230°F)*
Maximum Working Pressure	10 bar (150 psi)

MATERIALS OF CONSTRUCTION	
Pump Body	Cast Iron
Impeller	PA66
Shaft	Ceramic
Bearings	Ceramic
Gasket Material	EPDM

*Note: It is recommended that the operating temperature of the fluid be kept as low as possible (i.e. below 150°F/66°C) to avoid precipitation of calcium.

DIMENSIONS and WEIGHTS							
Cast Iron	Part No.	A	B	C	D	Connection Type & Size	Weight
AG-R 225-40-1	110223-530	130 (5.1)	130 (5.11)	105 (4.1)	130 (5.1)	Union 1 1/2" X 1" BSPT	3.2 (6.9)
AG-R 225-50-1	110223-531	130 (5.1)	130 (5.11)	105 (4.1)	130 (5.1)	Union 1 1/2" X 1" BSPT	3.3 (7.2)
AG-R 232-60-1	110223-532	180 (7.1)	130 (5.11)	105 (4.1)	130 (5.1)	Union 2" X 1 1/4" BSPT	3.8 (8.3)
AG-R 232-80-1	110223-533	180 (7.1)	150 (5.91)	130 (5.1)	160 (6.3)	Union 2" X 1 1/4" BSPT	5.5 (12.1)
AG-R 225-40-1-180	110223-534	180 (7.1)	130 (5.11)	105 (4.1)	130 (5.1)	Union 1 1/2" X 1" BSPT	3.2 (6.9)
AG-R 225-50-1-180	110223-535	180 (7.1)	130 (5.11)	105 (4.1)	130 (5.1)	Union 1 1/2" X 1" BSPT	3.3 (7.2)
AG-R 232-60-1-1.5"	110223-536	180 (7.1)	130 (5.11)	105 (4.1)	130 (5.1)	Union 2" X 1 1/2" BSPT	3.8 (8.3)
AG-R 232-80-1-1.5"	110223-537	180 (7.1)	150 (5.91)	130 (5.1)	160 (6.3)	Union 2" X 1 1/2" BSPT	5.5 (12.1)
AG-R 232-50-1	110223-538	180 (7.1)	130 (5.11)	105 (4.1)	130 (5.1)	Union 2" X 1 1/4" BSPT	3.3 (7.2)

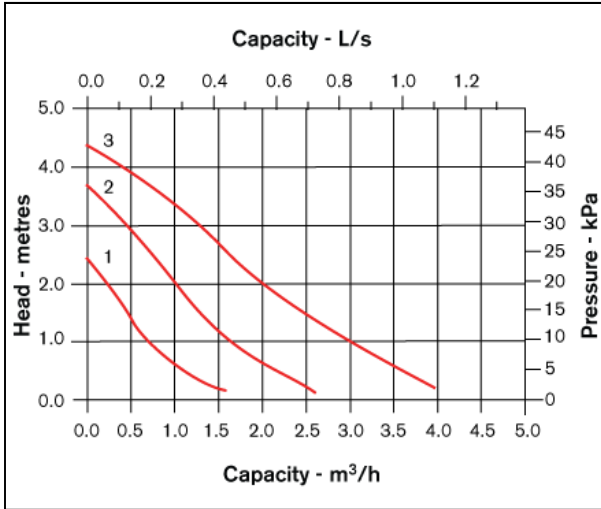
Note: All dimensions are in mm (inches) and weights in kg (lbs.).



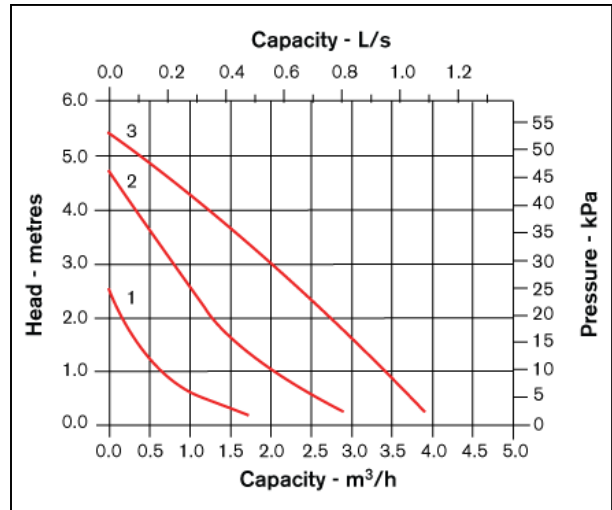
MOTOR DATA			
Model	Speed	Full Load Amp Draw (A)	Nominal Power (W)
AG-R 225-40-1/ AG-R 225-40-1-180	3	0.32	66
	2	0.24	
	1	0.16	
AG-R 225-50-1/ AG-R 225-50-1-180/ AG-R 232-50-1	3	0.39	86
	2	0.32	
	1	0.22	
AG-R 232-60-1 AG-R 232-60-1-1.5"	3	0.48	112
	2	0.37	
	1	0.28	
AG-R 232-80-1 AG-R 232-80-1-1.5"	3	1.23	271
	2	0.95	
	1	0.77	

PERFORMANCE CURVES

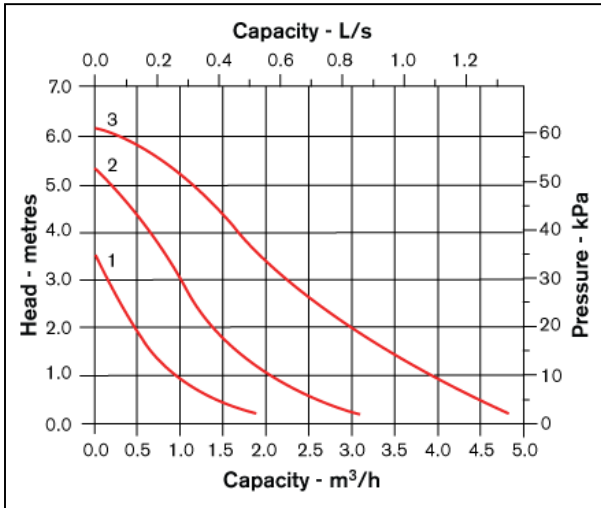
AG-R 225-40-1 / AG-R 225-40-1-180



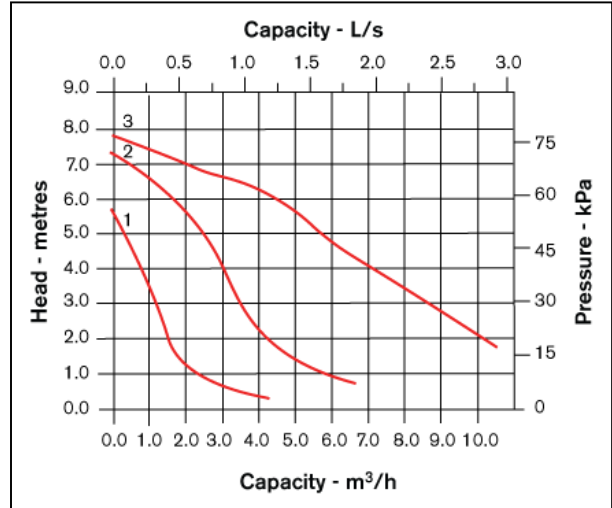
AG-R 225-50-1 / AG-R 225-50-1-180 / AG-R 232-50-1



AG-R 232-60-1 / AG-R 232-60-1-1.5"



AG-R 232-80-1 / AG-R 232-80-1-1.5"



S. A. Armstrong Limited
23 Bertrand Avenue
Toronto, Ontario
Canada, M1L 2P3
T: 416-755-2291
F: 416-759-9101

Armstrong Integrated Limited
Wenlock Way
Manchester
United Kingdom, M12 5JL
T: +44 (0) 8444 145 145
F: +44 (0) 8444 145 146

Armstrong Design Private Ltd.
(Unit 1- Armstrong Manufacturing Center)
490-L, 4th Phase, Peenya Industrial Area,
Bangalore, India 560 058
T: +91 (80) 4906 3555
F: +91 (80) 2334 3535