

## SERIES 4030 | END SUCTION BASE MOUNTED SPLIT COUPLED | 4 × 3 × 6 | SUBMITTAL

File No: 40.54  
Date: NOV. 26, 2014  
Supersedes: 40.54  
Date: OCT. 15, 2013

Job: \_\_\_\_\_ Representative: \_\_\_\_\_

Order no.: \_\_\_\_\_ Date: \_\_\_\_\_

Engineer: \_\_\_\_\_ Submitted by: \_\_\_\_\_ Date: \_\_\_\_\_

Contractor: \_\_\_\_\_ Approved by: \_\_\_\_\_ Date: \_\_\_\_\_

### PUMP DESIGN DATA

No. of pumps: \_\_\_\_\_ Tag: \_\_\_\_\_  
Capacity: \_\_\_\_\_ USgpm (L/s) Head: \_\_\_\_\_ ft (m)  
Liquid: \_\_\_\_\_ Viscosity: \_\_\_\_\_  
Temperature: \_\_\_\_\_ °F (°C) Specific gravity: \_\_\_\_\_  
Suction: 4" (100mm) Flanged  
Discharge: 3" (75mm) Flanged

### MATERIALS OF CONSTRUCTION

ANSI FLANGE RATING	ANSI 125	ANSI 250
Construction	<input type="checkbox"/> BF	<input type="checkbox"/> DBF
Casing	Cast iron	Ductile iron

**Impeller:** Bronze

**Gasket:** Confined non-asbestos fiber

**Bearing frame:** Cast iron

**Anti-friction bearings:** Permanently lubricated

**Shaft:** Carbon steel

**Shaft sleeve:** Stainless steel

**Coupler:** Constant speed: Woods sure-flex or equal  
Variable speed: Woods dura-flex or equal

**Coupler guard:** Steel OSHA

**Baseplate:** Fabricated steel

### MECHANICAL SEAL DATA

**Seal type:** 2A      **Stationary seat:** Silicone carbide  
**Secondary seal:** EPDM      **Rotating hardware:** Stainless steel  
**Spring:** Stainless steel

### MOTOR DESIGN DATA

HP: \_\_\_\_\_ RPM: \_\_\_\_\_ Frame size: \_\_\_\_\_ Enclosure: \_\_\_\_\_  
Volts: \_\_\_\_\_ Hertz: 60 Hz      Phase: 3  
Efficiency\*:  NEMA premium 12.12       Other \_\_\_\_\_ %

\* Fractional power and frame 56 motors are supplied with the standard efficiency of the manufacturer.

### MAXIMUM PUMP OPERATING CONDITIONS

#### ANSI 125

175 psig at 150°F (12 bars at 65°C)  
140 psig at 250°F (10 bars at 121°C)

#### ANSI 250

300 psig at 150°F (20 bars at 65°C)  
250 psig at 250°F (17 bars at 121°C)

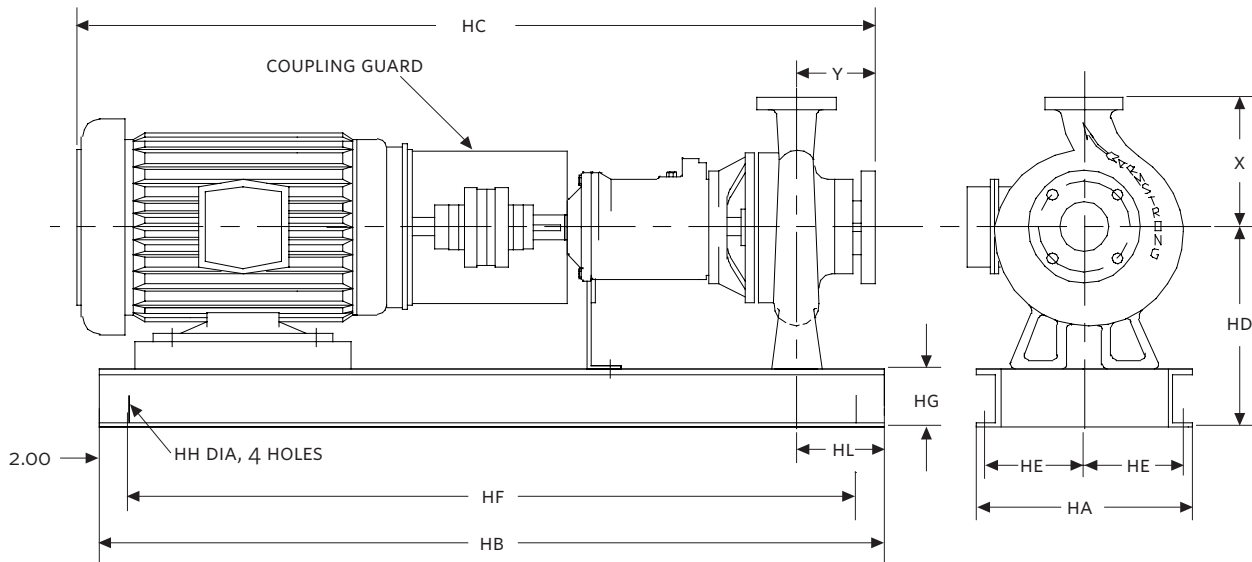
- Tolerance of ±0.125" (±3 mm) should be used
- See performance curves on page 3
- For exact installation, data please write factory for certified dimensions
- Pump equipped with casing drain plug and ¼" NPT suction and discharge gauge ports

### OPTIONAL EQUIPMENT

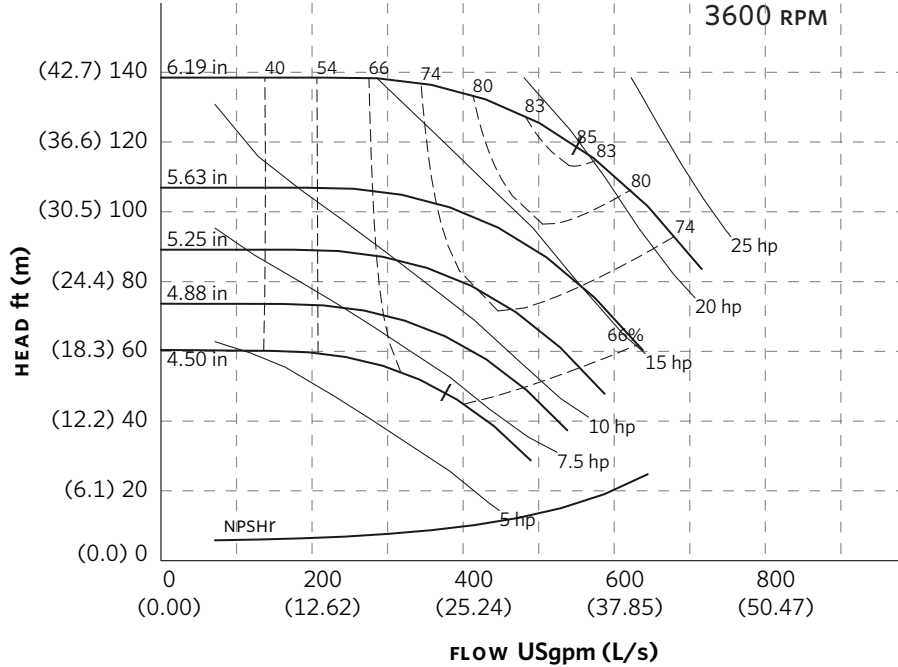
FLUID TYPE	ALL GLYCOLS > 30% WT CONC		ALL OTHER NON-POTABLE FLUIDS		POTABLE (DRINKING) WATER	
	up to 200°F (93°C)	over 200°F (93°C)	up to 200°F (93°C)	over 200°F (93°C)	up to 200°F (93°C)	over 200°F (93°C)
Rotating face	Silicone carbide		Resin bonded carbon	Antimony loaded carbon	Resin bonded carbon	
Seat elastomer	EPDM (L-cup)	EPDM (O-ring)	EPDM (L-cup)	EPDM (O-ring)	EPDM (L-cup)	EPDM (O-ring)
Material code	SCSc L EPSS 2A	SCSc O EPSS 2A	C-SC L EPSS 2A	ACSc O EPSS 2A	C-SC L EPSS 2A	C-SC O EPSS 2A

MOTOR	HORSEPOWER @ RPM				MAX. DIMENSIONS INCHES (mm)											MAX. ASSEMBLY WEIGHT*	
	3600		1800	1200	HA	HB	HC	HD	HE	HF	HG	HH	HL	X	Y	lbs (kgs)	
FRAME	ODP	TEFC													ODP	TEFC	
56C	—	—	0.75	0.33 & 0.5	14.00 (356)	30.00 (762)	26.37 (670)	9.25 (235)	6.38 (162)	26.00 (660)	3.00 (76)	0.75 (19)	4.50 (114)	8.25 (210)	4.00 (102)	128 (58.1)	136 (61.7)
143TC	—	—	1	0.75	14.00 (356)	30.00 (762)	28.02 (712)	9.25 (235)	6.38 (162)	26.00 (660)	3.00 (76)	0.75 (19)	4.50 (114)	8.25 (210)	4.00 (102)	148 (67.1)	155 (70.3)
145TC	—	—	1.5 & 2	—	14.00 (356)	30.00 (762)	28.02 (712)	9.25 (235)	6.38 (162)	26.00 (660)	3.00 (76)	0.75 (19)	4.50 (114)	8.25 (210)	4.00 (102)	149 (67.6)	159 (72.1)
182TC	5	—	3	—	14.00 (356)	30.00 (762)	30.72 (780)	9.25 (235)	6.38 (162)	26.00 (660)	3.00 (76)	0.75 (19)	4.50 (114)	8.25 (210)	4.00 (102)	158 (71.7)	200 (90.7)
184TC	7.5	5	—	—	14.00 (356)	30.00 (762)	30.72 (780)	9.25 (235)	6.38 (162)	26.00 (660)	3.00 (76)	0.75 (19)	4.50 (114)	8.25 (210)	4.00 (102)	170 (77.1)	215 (97.5)
213TC	10	7.5	—	—	14.00 (356)	33.00 (838)	34.39 (874)	9.25 (235)	6.38 (162)	29.00 (737)	3.00 (76)	0.75 (19)	4.50 (114)	8.25 (210)	4.00 (102)	236 (107.0)	235 (106.6)
215TC	15	10	—	—	14.00 (356)	33.00 (838)	34.39 (874)	9.25 (235)	6.38 (162)	29.00 (737)	3.00 (76)	0.75 (19)	4.50 (114)	8.25 (210)	4.00 (102)	241 (109.3)	274 (124.3)
254TC	20	15	—	—	16.00 (406)	45.00 (1143)	43.50 (1105)	9.25 (235)	7.38 (187)	41.00 (1041)	3.00 (76)	0.75 (19)	4.50 (114)	8.25 (210)	4.00 (102)	316 (143.3)	381 (172.8)
256TC	25	20	—	—	16.00 (406)	45.00 (1143)	43.50 (1105)	9.25 (235)	7.38 (187)	41.00 (1041)	3.00 (76)	0.75 (19)	4.50 (114)	8.25 (210)	4.00 (102)	371 (168.3)	414 (187.8)
284TSC	—	25	—	—	19.00 (483)	48.00 (1219)	43.13 (1096)	11.25 (286)	8.88 (225)	44.00 (1118)	4.00 (102)	0.75 (19)	4.50 (114)	8.25 (210)	4.00 (102)	—	466 (211.4)

\*Assembly weight combines pump and motor.



**SERIES 4030 PERFORMANCE CURVES**



**Curve number**  
PT78-2-0-3600

**Series**  
4030  
4280

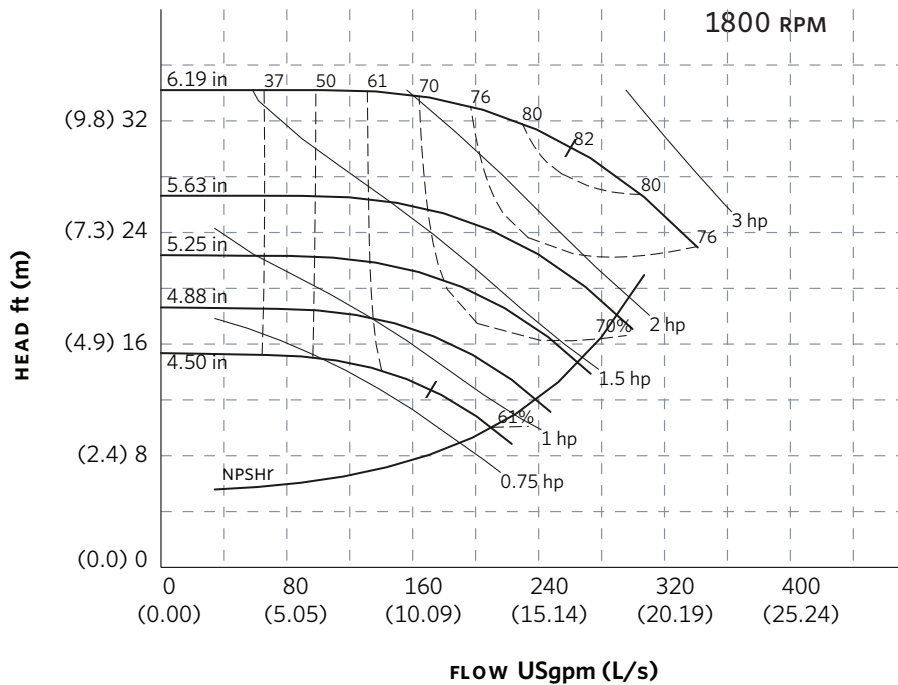
**Size**  
4 × 3 × 6

**RPM**  
3600

BHP based on shown  
Fluid's sp. gr.

**Availability**  
4030 all ratings  
4280 FR 256 MAX.

Performance  
guaranteed only  
at operating point  
indicated.  
Curve shown for  
clear, cold water  
- SP. GR. 1.0000



**Curve number**  
PT200-0-0-1800

**Series**  
4030  
4280

**Size**  
4 × 3 × 6

**RPM**  
1800

BHP based on shown  
Fluid's sp. gr.

**Availability**  
4030 all ratings  
4280 FR 143 MIN.

Performance  
guaranteed only  
at operating point  
indicated.  
Curve shown for  
clear, cold water  
- SP. GR. 1.0000

Performance curves are for reference only.  
Confirm current performance data with Armstrong ACE Online selection software.

**TORONTO**

23 BERTRAND AVENUE  
TORONTO, ONTARIO  
CANADA  
M1L 2P3  
+1 416 755 2291

**BUFFALO**

93 EAST AVENUE  
NORTH TONAWANDA, NEW YORK  
U.S.A.  
14120-6594  
+1 716 693 8813

**BIRMINGHAM**

HEYWOOD WHARF, MUCKLOW HILL  
HALESOWEN, WEST MIDLANDS  
UNITED KINGDOM  
B62 8DJ  
+44 (0) 8444 145 145

**MANCHESTER**

WENLOCK WAY  
MANCHESTER  
UNITED KINGDOM  
M12 5JL  
+44 (0) 8444 145 145

**BANGALORE**

#59, FIRST FLOOR, 3RD MAIN  
MARGOSA ROAD, MALLESWARAM  
BANGALORE, INDIA  
560 003  
+91 (0) 80 4906 3555

**SHANGHAI**

NO. 1619 HU HANG ROAD, XI DU TOWNSHIP  
FENG XIAN DISTRICT, SHANGHAI  
P.R.C.  
201401  
+86 21 3756 6696

**MAKING  
ENERGY  
MAKE  
SENSE™**