

## 4030 END SUCTION BASE MOUNTED | 25-200A (1.5x1x8) | SUBMITTAL

**File No:** 40.55IEC  
**Date:** AUGUST 10, 2020  
**Supersedes:** 40.55IEC  
**Date:** APRIL 26, 2016

Job: \_\_\_\_\_ Representative: \_\_\_\_\_  
 \_\_\_\_\_ Order no.: \_\_\_\_\_ Date: \_\_\_\_\_  
 Engineer: \_\_\_\_\_ Submitted by: \_\_\_\_\_ Date: \_\_\_\_\_  
 Contractor: \_\_\_\_\_ Approved by: \_\_\_\_\_ Date: \_\_\_\_\_

### PUMP DESIGN DATA

No. of pumps: \_\_\_\_\_ Tag: \_\_\_\_\_  
 Capacity: \_\_\_\_\_ m<sup>3</sup>/h (USgpm) Head: \_\_\_\_\_ m(ft)  
 Liquid: \_\_\_\_\_ Viscosity: \_\_\_\_\_  
 Temperature: \_\_\_\_\_ °C (°F) Specific gravity: \_\_\_\_\_  
 Suction: 40 mm (1.5") Flanged  
 Discharge: 25 mm (1") Flanged

### MATERIALS OF CONSTRUCTION

FLANGE RATING	PN 16	PN 25
Construction	<input type="checkbox"/> BF	<input type="checkbox"/> DBF
Casing	Cast iron	Ductile iron

**Impeller:** Bronze  
**Gasket:** Confined non-asbestos fiber  
**Bearing frame:** Cast iron  
**Anti-friction bearings:** Permanently lubricated  
**Shaft:** Carbon steel  
**Shaft sleeve:** Stainless steel  
**Coupler:** Woods sure flex or equal  
**Coupler guard:** Steel OSHA  
**Baseplate:** Fabricated steel

### MECHANICAL SEAL DATA

**Seal type:** 2A **Stationary seat:** Silicone carbide  
**Secondary seal:** EPDM **Rotating hardware:** Stainless steel  
**Spring:** Stainless steel

### MOTOR DESIGN DATA

kW: \_\_\_\_\_ RPM: \_\_\_\_\_  
 Frame size: \_\_\_\_\_ Enclosure: \_\_\_\_\_  
 Volts: \_\_\_\_\_ Hertz: 50 Hz Phase: 3  
 Efficiency:  IE1  IE2  IE3

### MAXIMUM PUMP OPERATING CONDITIONS

**PN 16**  
 16 bars at 49°C (232 psig at 120°F)  
 7 bars at 150°C (100 psig at 300°F)  
**PN 25**  
 25 bars at 65°C (362 psig at 149°F)  
 21 bars at 150°C (304 psig at 300°F)

- Tolerance of ±3 mm (±0.125") should be used
- For exact installation, data please write factory for certified dimensions
- Pump equipped with casing drain plug and ¼" NPT suction and discharge gauge ports.
- See performance curves on page 3

### OPTIONAL EQUIPMENT

FLUID TYPE	ALL GLYCOLS > 30% WT CONC		ALL OTHER NON-POTABLE FLUIDS		POTABLE (DRINKING) WATER	
	up to 93°C (200°F)	over 93°C (200°F)	up to 93°C (200°F)	over 93°C (200°F)	up to 93°C (200°F)	over 93°C (200°F)
Rotating face	Silicone carbide		Resin bonded carbon	Antimony loaded carbon	Resin bonded carbon	
Seat elastomer	EPDM (L-cup)	EPDM (O-ring)	EPDM (L-cup)	EPDM (O-ring)	EPDM (L-cup)	EPDM (O-ring)
Material code	SCsc L EPSS 2A	SCsc O EPSS 2A	C-SC L EPSS 2A	ACsc O EPSS 2A	C-SC L EPSS 2A	C-SC O EPSS 2A

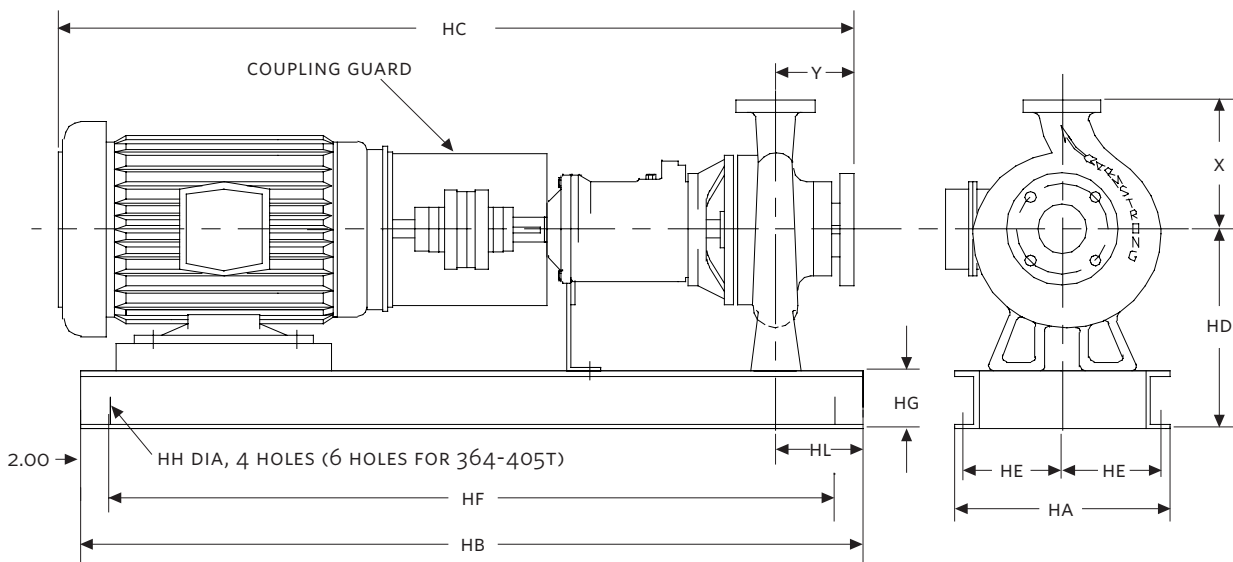
MOTOR	MOTOR kW @ RPM		FULL LOAD CURRENT (A)	STARTING CURRENT (A)		DIMENSIONS mm(INCHES)								WEIGHT*
	TEFC			STAR DELTA (SD)	DIRECT ON LINE (DOL)	HA	HB	HC	HD	HE	HF	HG	HL	TEFC
	3000	1500												
80	-	0.55	1.3	-	5.5	356 (14.00)	762 (30.00)	689 (27.11)	235 (9.25)	162 (6.38)	660 (26.00)	76 (3.00)	114 (4.50)	59.0 (130)
80	-	0.75	1.68	-	7.4	356 (14.00)	762 (30.00)	689 (27.11)	235 (9.25)	162 (6.38)	660 (26.00)	76 (3.00)	114 (4.50)	62.0 (137)
90S	-	1.1	2.47	-	12.6	356 (14.00)	762 (30.00)	650 (25.60)	235 (9.25)	162 (6.38)	660 (26.00)	76 (3.00)	114 (4.50)	67.5 (149)
90L	-	1.5	3.33	-	18.6	356 (14.00)	762 (30.00)	697 (27.43)	235 (9.25)	162 (6.38)	660 (26.00)	76 (3.00)	114 (4.50)	70.5 (156)
90L	2.2	-	4.75	-	29.93	356 (14.00)	762 (30.00)	697 (27.43)	235 (9.25)	162 (6.38)	660 (26.00)	76 (3.00)	114 (4.50)	69.5 (153)
100L	3	-	6.13	-	47.81	356 (14.00)	838 (33.00)	739 (29.08)	235 (9.25)	162 (6.38)	737 (29.00)	76 (3.00)	114 (4.50)	77.0 (170)
112M	4	-	8	22.4	62.4	356 (14.00)	838 (33.00)	783 (30.82)	235 (9.25)	162 (6.38)	737 (29.00)	76 (3.00)	114 (4.50)	86.5 (191)
132S	5.5	-	10.8	25.92	88.56	356 (14.00)	838 (33.00)	856 (33.69)	235 (9.25)	162 (6.38)	737 (29.00)	76 (3.00)	114 (4.50)	108.5 (239)
132S	7.5	-	14.5	36.25	118.9	356 (14.00)	838 (33.00)	856 (33.69)	235 (9.25)	162 (6.38)	737 (29.00)	76 (3.00)	114 (4.50)	111.5 (246)
160M	11	-	21.1	52.75	164.58	356 (14.00)	1016 (40.00)	1002 (39.45)	260 (10.25)	187 (7.38)	914 (36.00)	76 (3.00)	114 (4.50)	152.5 (336)

\*Assembly weight combines pump and motor.

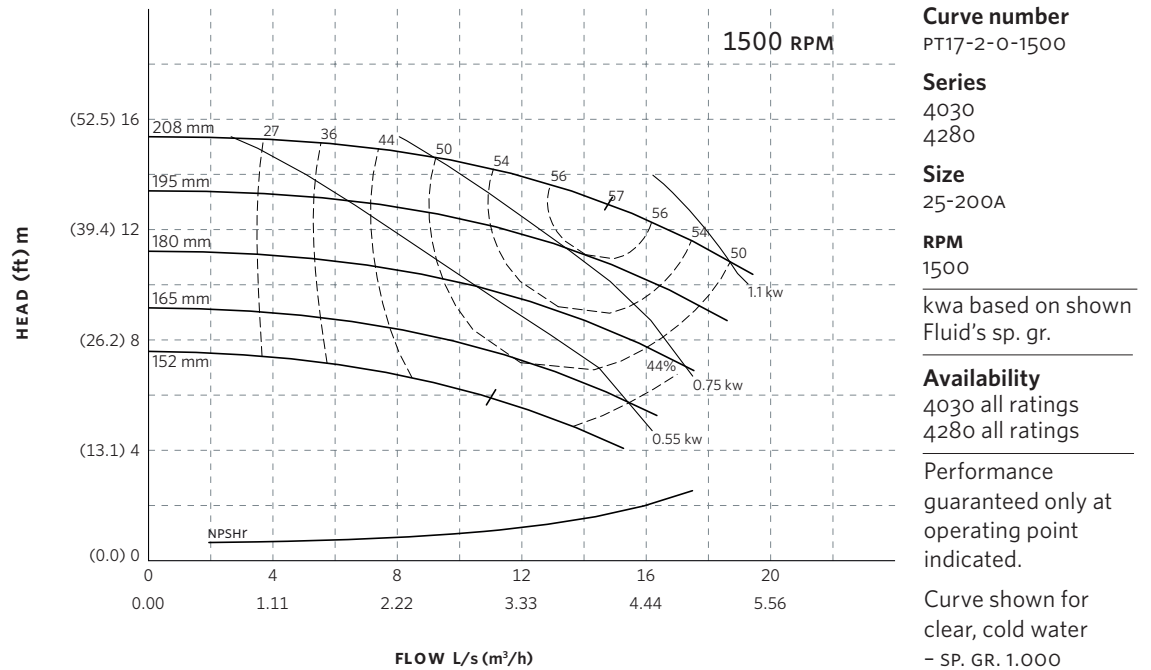
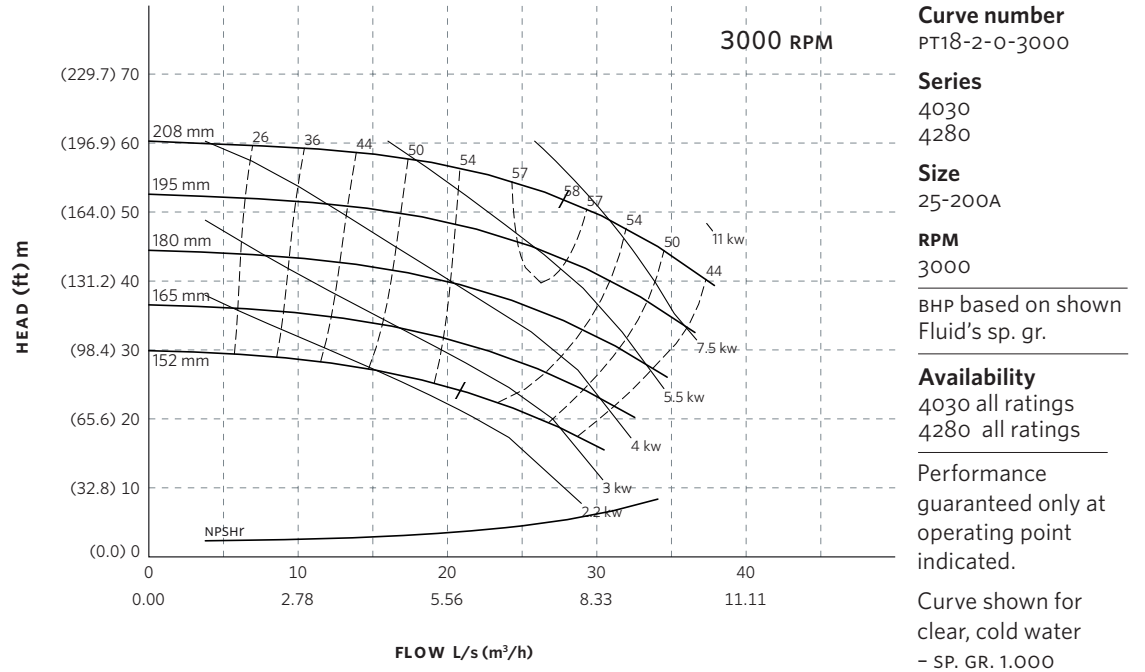
**PUMP DIMENSIONS**

mm (inches)

X	Y
165 (6.50)	102 (4.00)



## 4030 PERFORMANCE CURVES



Performance curves are for reference only.  
Confirm current performance data with Armstrong ADEPT Quote or ADEPT Select selection software.

**TORONTO**

23 BERTRAND AVENUE  
TORONTO, ONTARIO  
CANADA, M1L 2P3  
+1 416 755 2291

**BUFFALO**

93 EAST AVENUE  
NORTH TONAWANDA, NEW YORK  
U.S.A., 14120-6594  
+1 716 693 8813

**BIRMINGHAM**

HEYWOOD WHARF, MUCKLOW HILL  
HALESOWEN, WEST MIDLANDS  
UNITED KINGDOM, B62 8DJ  
+44 8444 145 145

**MANCHESTER**

WOLVERTON STREET  
MANCHESTER  
UNITED KINGDOM, M11 2ET  
+44 8444 145 145

**BANGALORE**

#59, FIRST FLOOR, 3RD MAIN  
MARGOSA ROAD, MALLESWARAM  
BANGALORE, INDIA, 560 003  
+91 80 4906 3555

**SHANGHAI**

UNIT 903, 888 NORTH SICHUAN RD.  
HONGKOU DISTRICT, SHANGHAI  
CHINA, 200085  
+86 21 5237 0909

**SÃO PAULO**

RUA JOSÉ SEMIÃO RODRIGUES AGOSTINHO,  
1370 GALPÃO 6 EMBU DAS ARTES  
SAO PAULO, BRAZIL  
+55 11 4785 1330

**LYON**

93 RUE DE LA VILLETTE  
LYON, 69003 FRANCE  
+33 4 26 83 78 74

**DUBAI**

JAFZA VIEW 19, OFFICE 402  
P.O.BOX 18226 JAFZA,  
DUBAI - UNITED ARAB EMIRATES  
+971 4 887 6775

**MANNHEIM**

DYNAMOSTRASSE 13  
68165 MANNHEIM  
GERMANY  
+49 621 3999 9858