

4030 END SUCTION BASE MOUNTED | 80-250A (4×3×10) | SUBMITTAL

File No: 40.631EC
Date: AUGUST 10, 2020
Supersedes: 40.631EC
Date: APRIL 26, 2016

Job: _____ Representative: _____
 _____ Order no.: _____ Date: _____
 Engineer: _____ Submitted by: _____ Date: _____
 Contractor: _____ Approved by: _____ Date: _____

PUMP DESIGN DATA

No. of pumps: _____ Tag: _____
 Capacity: _____ m³/h (USgpm) Head: _____ m(ft)
 Liquid: _____ Viscosity: _____
 Temperature: _____ °C (°F) Specific gravity: _____
 Suction: 100 mm (4") Flanged
 Discharge: 80 mm (3") Flanged

MATERIALS OF CONSTRUCTION

| FLANGE RATING | PN 16 | PN 25 |
|---------------|-----------------------------|------------------------------|
| Construction | <input type="checkbox"/> BF | <input type="checkbox"/> DBF |
| Casing | Cast iron | Ductile iron |

Impeller: Bronze
Gasket: Confined non-asbestos fiber
Bearing frame: Cast iron
Anti-friction bearings: Permanently lubricated
Shaft: Carbon steel
Shaft sleeve: Stainless steel
Coupler: Woods sure flex or equal
Coupler guard: Steel OSHA
Baseplate: Fabricated steel

MECHANICAL SEAL DATA

Seal type: 2A **Stationary seat:** Silicone carbide
Secondary seal: EPDM **Rotating hardware:** Stainless steel
Spring: Stainless steel

MOTOR DESIGN DATA

kW: _____ RPM: _____
 Frame size: _____ Enclosure: _____
 Volts: _____ Hertz: 50 Hz Phase: 3
 Efficiency: IE1 IE2 IE3

MAXIMUM PUMP OPERATING CONDITIONS

PN 16
 16 bars at 49°C (232 psig at 120°F)
 7 bars at 150°C (100 psig at 300°F)

PN 25
 25 bars at 65°C (362 psig at 149°F)
 21 bars at 150°C (304 psig at 300°F)

- Tolerance of ±3 mm (±0.125") should be used
- For exact installation, data please write factory for certified dimensions
- Pump equipped with casing drain plug and ¼" NPT suction and discharge gauge ports.
- See performance curves on page 3

OPTIONAL EQUIPMENT

| FLUID TYPE | ALL GLYCOLS > 30% WT CONC | | ALL OTHER NON-POTABLE FLUIDS | | POTABLE (DRINKING) WATER | |
|----------------|---------------------------|-------------------|------------------------------|------------------------|--------------------------|-------------------|
| | up to 93°C (200°F) | over 93°C (200°F) | up to 93°C (200°F) | over 93°C (200°F) | up to 93°C (200°F) | over 93°C (200°F) |
| Rotating face | Silicone carbide | | Resin bonded carbon | Antimony loaded carbon | Resin bonded carbon | |
| Seat elastomer | EPDM (L-cup) | EPDM (O-ring) | EPDM (L-cup) | EPDM (O-ring) | EPDM (L-cup) | EPDM (O-ring) |
| Material code | SCsc L EPSS 2A | SCsc O EPSS 2A | C-SC L EPSS 2A | ACsc O EPSS 2A | C-SC L EPSS 2A | C-SC O EPSS 2A |

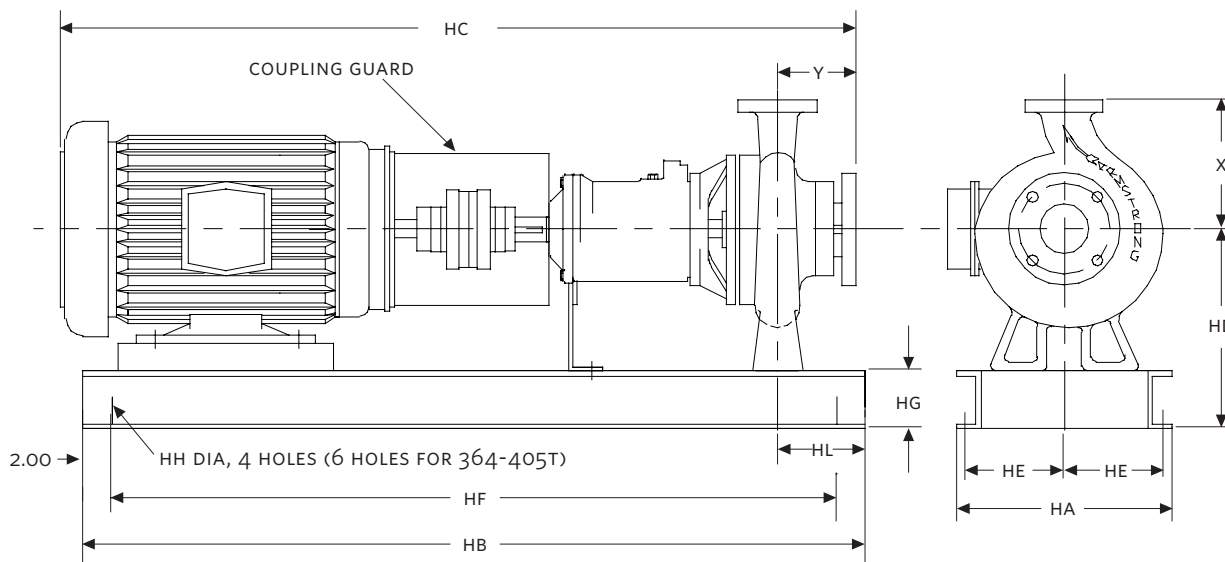
| MOTOR FRAME | MOTOR kW @ RPM | | FULL LOAD CURRENT (A) 380-415V | STARTING CURRENT (A) | | DIMENSIONS mm(INCHES) | | | | | | | | WEIGHT* kg (lbs) |
|----------------|-------------------|------|--------------------------------------|-------------------------|----------------------------|-----------------------|-----------------|-----------------|----------------|---------------|-----------------|---------------|---------------|---------------------|
| | TEFC | | | STAR DELTA (SD) | DIRECT ON LINE (DOL) | HA | HB | HC | HD | HE | HF | HG | HL | |
| | 3000 | 1500 | | | | | | | | | | | | |
| 100L | - | 2.2 | 4.8 | - | 26.5 | 356 (14.00) | 838 (33.00) | 739 (29.09) | 286 (11.25) | 162 (6.38) | 737 (29.00) | 76 (3.00) | 114 (4.50) | 125.8 (277) |
| 100L | - | 3 | 6.40 | - | 37.1 | 356 (14.00) | 838 (33.00) | 739 (29.09) | 286 (11.25) | 162 (6.38) | 737 (29.00) | 76 (3.00) | 114 (4.50) | 128.3 (283) |
| 112M | - | 4 | 8.41 | 18.5 | 58.9 | 356 (14.00) | 838 (33.00) | 783 (30.83) | 286 (11.25) | 162 (6.38) | 737 (29.00) | 76 (3.00) | 114 (4.50) | 137.3 (303) |
| 132S | - | 5.5 | 10.90 | 24.0 | 81.8 | 356 (14.00) | 838 (33.00) | 856 (33.70) | 286 (11.25) | 162 (6.38) | 737 (29.00) | 76 (3.00) | 114 (4.50) | 158.3 (349) |
| 132M | - | 7.5 | 14.9 | 32.8 | 111.8 | 356 (14.00) | 838 (33.00) | 879 (34.60) | 286 (11.25) | 162 (6.38) | 737 (29.00) | 76 (3.00) | 114 (4.50) | 167.3 (369) |
| 160M | 15 | - | 28.5 | 74.1 | 228.0 | 406 (16.00) | 1016 (40.00) | 1002 (39.46) | 286 (11.25) | 187 (7.38) | 914 (36.00) | 76 (3.00) | 114 (4.50) | 207.3 (457) |
| 160L | 18.5 | - | 34.9 | 94.2 | 303.6 | 406 (16.00) | 1143 (45.00) | 1097 (43.17) | 286 (11.25) | 187 (7.38) | 1041 (41.00) | 76 (3.00) | 114 (4.50) | 219.3 (483) |
| 180M | 22 | - | 40.9 | 114.5 | 368.1 | 483 (19.00) | 1219 (48.00) | 1082 (42.58) | 311 (12.25) | 225 (8.88) | 1118 (44.00) | 102 (4.00) | 114 (4.50) | 259.3 (572) |
| 200L | 30 | - | 55.9 | 139.8 | 436.0 | 483 (19.00) | 1219 (48.00) | 1259 (49.56) | 352 (13.85) | 225 (8.88) | 1118 (44.00) | 102 (4.00) | 114 (4.50) | 321.3 (708) |
| 200L | 37 | - | 68.7 | 171.8 | 535.9 | 483 (19.00) | 1219 (48.00) | 1259 (49.56) | 352 (13.85) | 225 (8.88) | 1118 (44.00) | 102 (4.00) | 114 (4.50) | 350.3 (772) |
| 225M | 45 | - | 81.5 | 179.3 | 570.5 | 483 (19.00) | 1219 (48.00) | 1294 (50.94) | 352 (13.85) | 225 (8.88) | 1118 (44.00) | 102 (4.00) | 114 (4.50) | 451.3 (995) |
| 250M | 55 | - | 99.2 | 218.2 | 694.4 | 483 (19.00) | 1219 (48.00) | 1405 (55.31) | 396 (15.60) | 225 (8.88) | 1118 (44.00) | 102 (4.00) | 114 (4.50) | 508.3 (1120) |

*Assembly weight combines pump and motor.

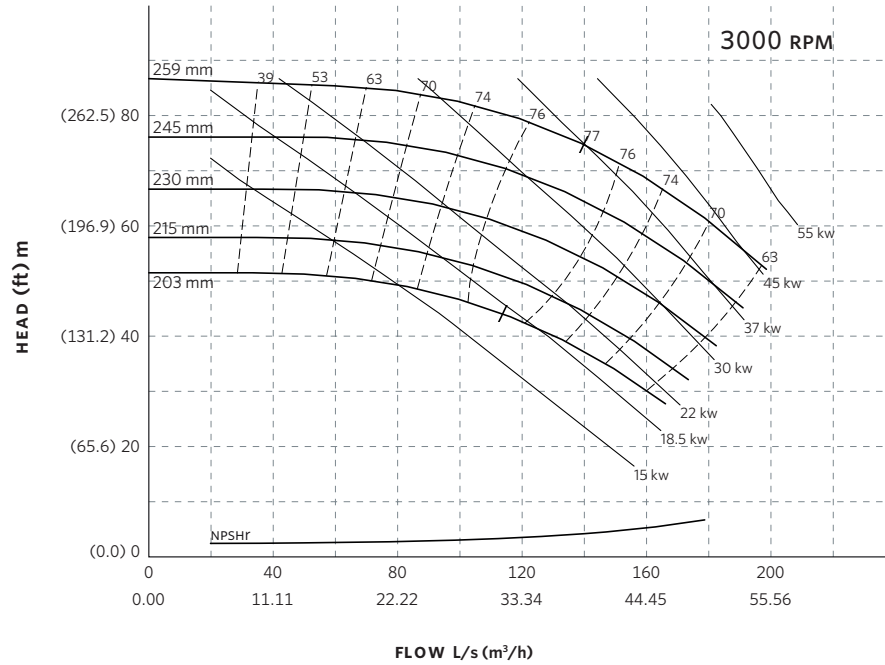
PUMP DIMENSIONS

mm (inches)

| X | Y |
|-------------|------------|
| 279 (11.00) | 102 (4.00) |



4030 PERFORMANCE CURVES



Curve number
PT75-1-0-3000

Series
4030
4280

Size
80-250A

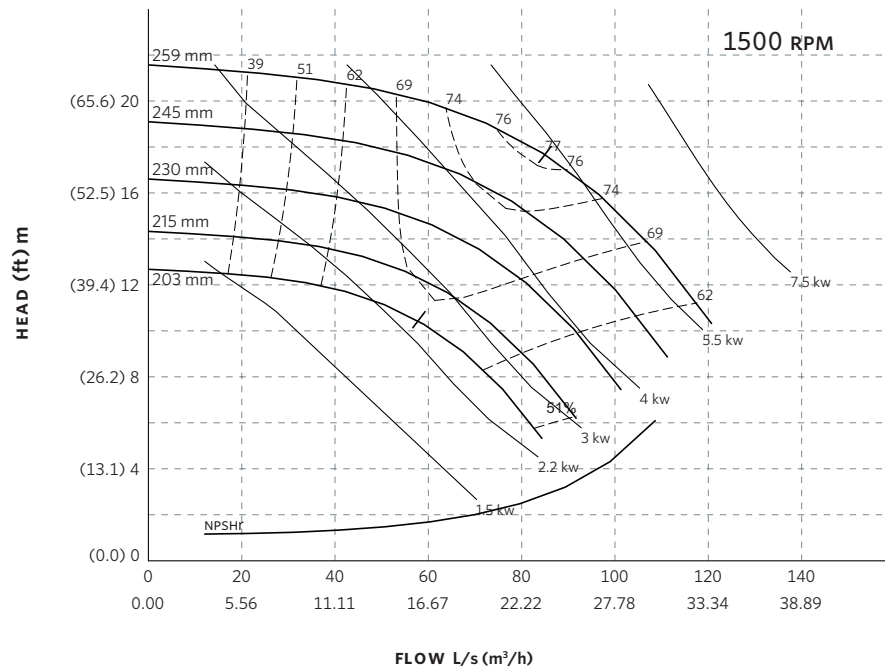
RPM
3000

BHP based on shown
Fluid's sp. gr.

Availability
4030 all ratings
4280 all ratings

Performance
guaranteed only at
operating point
indicated.

Curve shown for
clear, cold water
- SP. GR. 1.000



Curve number
PT74-2-0-1500

Series
4030
4280

Size
80-250A

RPM
1500

kwa based on shown
Fluid's sp. gr.

Availability
4030 all ratings
4280 all ratings

Performance
guaranteed only at
operating point
indicated.

Curve shown for
clear, cold water
- SP. GR. 1.000

Performance curves are for reference only.
Confirm current performance data with Armstrong ADEPT Quote or ADEPT Select selection software.

TORONTO

23 BERTRAND AVENUE
TORONTO, ONTARIO
CANADA, M1L 2P3
+1 416 755 2291

BUFFALO

93 EAST AVENUE
NORTH TONAWANDA, NEW YORK
U.S.A., 14120-6594
+1 716 693 8813

BIRMINGHAM

HEYWOOD WHARF, MUCKLOW HILL
HALESOWEN, WEST MIDLANDS
UNITED KINGDOM, B62 8DJ
+44 8444 145 145

MANCHESTER

WOLVERTON STREET
MANCHESTER
UNITED KINGDOM, M11 2ET
+44 8444 145 145

BANGALORE

#59, FIRST FLOOR, 3RD MAIN
MARGOSA ROAD, MALLESWARAM
BANGALORE, INDIA, 560 003
+91 80 4906 3555

SHANGHAI

UNIT 903, 888 NORTH SICHUAN RD.
HONGKOU DISTRICT, SHANGHAI
CHINA, 200085
+86 21 5237 0909

SÃO PAULO

RUA JOSÉ SEMIÃO RODRIGUES AGOSTINHO,
1370 GALPÃO 6 EMBU DAS ARTES
SAO PAULO, BRAZIL
+55 11 4785 1330

LYON

93 RUE DE LA VILLETTE
LYON, 69003 FRANCE
+33 4 26 83 78 74

DUBAI

JAFZA VIEW 19, OFFICE 402
P.O.BOX 18226 JAFZA,
DUBAI - UNITED ARAB EMIRATES
+971 4 887 6775

MANNHEIM

DYNAMOSTRASSE 13
68165 MANNHEIM
GERMANY
+49 621 3999 9858