

SERIES 4030 | END SUCTION BASE MOUNTED | 150-330A (8×6×13) | SUBMITTAL

File No: 40.761EC
Date: APRIL 26, 2016
Supersedes: NEW
Date: NEW

Job: _____ Representative: _____
 _____ Order no.: _____ Date: _____
 Engineer: _____ Submitted by: _____ Date: _____
 Contractor: _____ Approved by: _____ Date: _____

PUMP DESIGN DATA

No. of pumps: _____ Tag: _____
 Capacity: _____ m³/h (USgpm) Head: _____ m(ft)
 Liquid: _____ Viscosity: _____
 Temperature: _____ °C (°F) Specific gravity: _____
 Suction: 200 mm (8") Flanged
 Discharge: 150 mm (6") Flanged

MATERIALS OF CONSTRUCTION

ANSI FLANGE RATING	PN 16	PN 25
Construction	<input type="checkbox"/> BF	<input type="checkbox"/> DBF
Casing	Cast iron	Ductile iron

- Impeller:** Bronze
- Gasket:** Confined non-asbestos fiber
- Bearing frame:** Cast iron
- Anti-friction bearings:** Permanently lubricated
- Shaft:** Carbon steel
- Shaft sleeve:** Stainless steel
- Coupler:** Woods sure flex or equal
- Coupler guard:** Steel OSHA
- Baseplate:** Fabricated steel

MECHANICAL SEAL DATA

- Seal type:** 2A **Stationary seat:** Silicone carbide
- Secondary seal:** EPDM **Rotating hardware:** Stainless steel
- Spring:** Stainless steel

MOTOR DESIGN DATA

kW: _____ RPM: _____
 Frame size: _____ Enclosure: _____
 Volts: _____ Hertz: 50 Hz Phase: 3
 Efficiency: IE1 IE2 IE3

MAXIMUM PUMP OPERATING CONDITIONS

- PN 16**
 12 bars at 65°C (175 psig at 150°F)
 10 bars at 121°C (140 psig at 250°F)
- PN 25**
 20 bars at 65°C (300 psig at 150°F)
 17 bars at 121°C (250 psig at 250°F)
- Tolerance of ±3 mm (±0.125") should be used
- For exact installation, data please write factory for certified dimensions
- Pump equipped with casing drain plug and ¼" NPT suction and discharge gauge ports.
- See performance curves on page 3

OPTIONAL EQUIPMENT

FLUID TYPE	ALL GLYCOLS > 30% WT CONC		ALL OTHER NON-POTABLE FLUIDS		POTABLE (DRINKING) WATER	
	up to 93°C (200°F)	over 93°C (200°F)	up to 93°C (200°F)	over 93°C (200°F)	up to 93°C (200°F)	over 93°C (200°F)
Rotating face	Silicone carbide		Resin bonded carbon	Antimony loaded carbon	Resin bonded carbon	
Seat elastomer	EPDM (L-cup)	EPDM (O-ring)	EPDM (L-cup)	EPDM (O-ring)	EPDM (L-cup)	EPDM (O-ring)
Material code	SCsc L EPSS 2A	SCsc O EPSS 2A	C-SC L EPSS 2A	ACsc O EPSS 2A	C-SC L EPSS 2A	C-SC O EPSS 2A

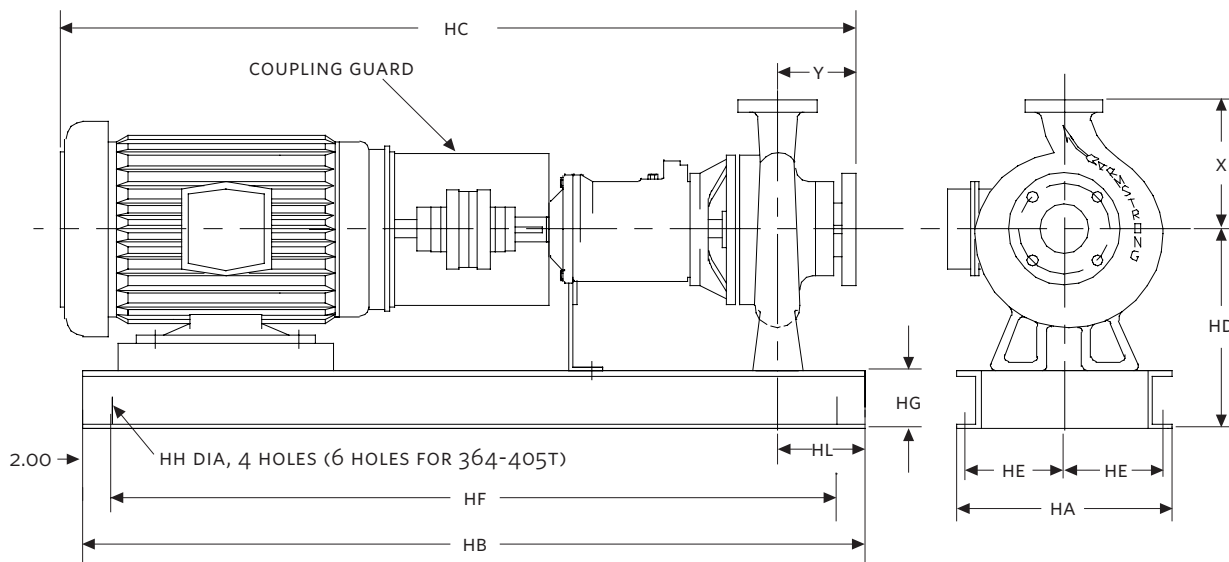
MOTOR	MOTOR kW @ RPM		FULL LOAD CURRENT (A)	STARTING CURRENT (A)		DIMENSIONS mm(INCHES)								WEIGHT*
	TEFC			STAR DELTA (SD)	DIRECT ON LINE (DOL)	HA	HB	HC	HD	HE	HF	HG	HL	kg (lbs)
	3000	1500												380-415V
160M	—	11	21.9	50.4	168.6	406 (16.00)	1143 (45.00)	1082 (42.58)	381 (15.00)	187 (7.38)	1041 (41.00)	76 (3.00)	114 (4.50)	345 (761)
160L	—	15	29.6	68.1	227.9	483 (19.00)	1219 (48.00)	1097 (43.17)	406 (16.00)	225 (8.88)	1118 (44.00)	102 (4.00)	114 (4.50)	365 (806)
180M	—	18.5	36.3	94.4	304.9	483 (19.00)	1219 (48.00)	1082 (42.58)	406 (16.00)	225 (8.88)	1118 (44.00)	102 (4.00)	114 (4.50)	404 (892)
180L	—	22	41.8	92.0	313.5	483 (19.00)	1219 (48.00)	1180 (46.44)	406 (16.00)	225 (8.88)	1118 (44.00)	102 (4.00)	114 (4.50)	426 (940)
200L	—	30	58.0	139.2	435.0	483 (19.00)	1219 (48.00)	1259 (49.56)	406 (16.00)	225 (8.88)	1118 (44.00)	102 (4.00)	114 (4.50)	462 (1019)
225S	—	37	69.6	160.1	508.1	483 (19.00)	1219 (48.00)	1296 (51.02)	406 (16.00)	225 (8.88)	1118 (44.00)	102 (4.00)	114 (4.50)	582 (1284)

*Assembly weight combines pump and motor.

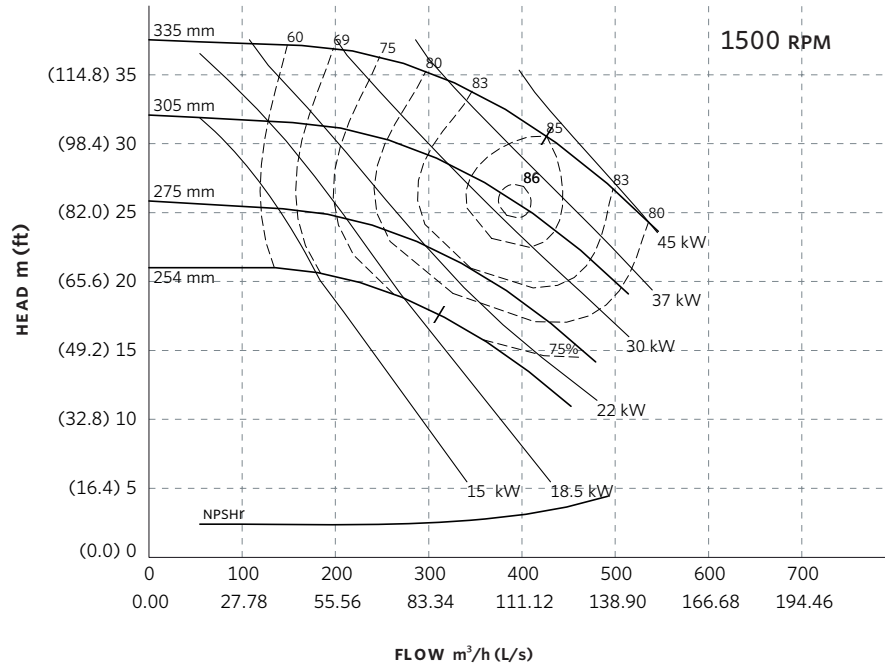
PUMP DIMENSIONS

mm (inches)

X	Y
406 (16.00)	102 (4.00)



SERIES 4030 PERFORMANCE CURVES



Curve number
PT661-1-0-1500

Series
4030
4280

Size
150-330A

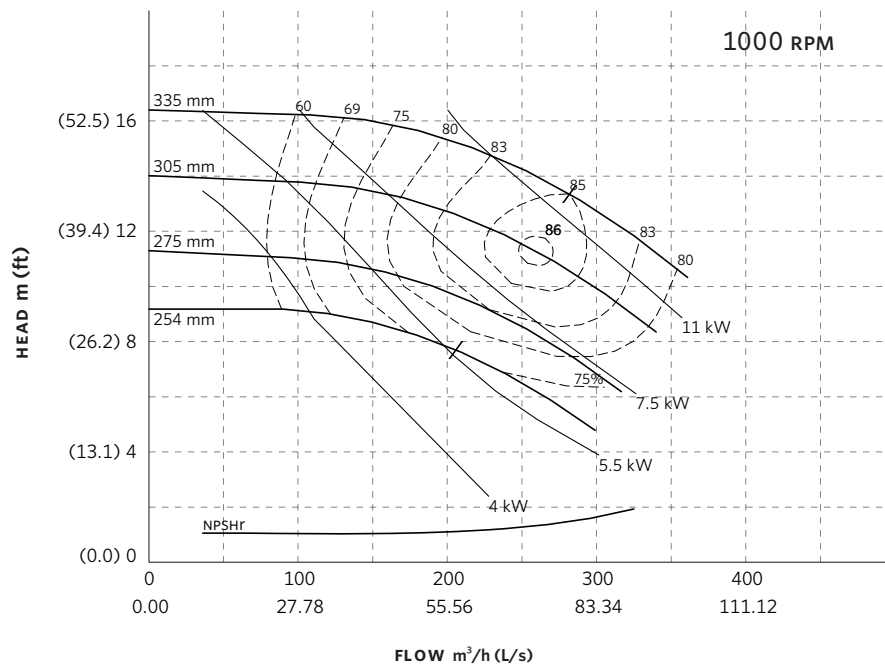
RPM
1500

BHP based on shown
Fluid's sp. gr.

Availability
4030 all ratings
4280 all ratings

Performance
guaranteed only at
operating point
indicated.

Curve shown for
clear, cold water
- SP. GR. 1.000



Curve number
PT661-1-0-1000

Series
4030
4280

Size
150-330A

RPM
1000

kwa based on shown
Fluid's sp. gr.

Availability
4030 all ratings
4280 all ratings

Performance
guaranteed only at
operating point
indicated.

Curve shown for
clear, cold water
- SP. GR. 1.000

Performance curves are for reference only.
Confirm current performance data with Armstrong ACE Online selection software.

TORONTO

23 BERTRAND AVENUE
TORONTO, ONTARIO
CANADA
M1L 2P3
+1 416 755 2291

BUFFALO

93 EAST AVENUE
NORTH TONAWANDA, NEW YORK
U.S.A.
14120-6594
+1 716 693 8813

BIRMINGHAM

HEYWOOD WHARF, MUCKLOW HILL
HALESOWEN, WEST MIDLANDS
UNITED KINGDOM
B62 8DJ
+44 (0) 8444 145 145

MANCHESTER

WOLVERTON STREET
MANCHESTER
UNITED KINGDOM
M11 2ET
+44 (0) 8444 145 145

BANGALORE

#59, FIRST FLOOR, 3RD MAIN
MARGOSA ROAD, MALLESWARAM
BANGALORE, INDIA
560 003
+91 (0) 80 4906 3555

SHANGHAI

NO. 1619 HU HANG ROAD, XI DU TOWNSHIP
FENG XIAN DISTRICT, SHANGHAI
P.R.C.
201401
+86 21 3756 6696