

## SERIES 4030 | END SUCTION BASE MOUNTED | 200-330A (10×8×13) | SUBMITTAL

**File No:** 40.77IEC  
**Date:** APRIL 26, 2016  
**Supersedes:** NEW  
**Date:** NEW

Job: \_\_\_\_\_ Representative: \_\_\_\_\_  
 \_\_\_\_\_ Order no.: \_\_\_\_\_ Date: \_\_\_\_\_  
 Engineer: \_\_\_\_\_ Submitted by: \_\_\_\_\_ Date: \_\_\_\_\_  
 Contractor: \_\_\_\_\_ Approved by: \_\_\_\_\_ Date: \_\_\_\_\_

### PUMP DESIGN DATA

No. of pumps: \_\_\_\_\_ Tag: \_\_\_\_\_  
 Capacity: \_\_\_\_\_ m<sup>3</sup>/h (USgpm) Head: \_\_\_\_\_ m(ft)  
 Liquid: \_\_\_\_\_ Viscosity: \_\_\_\_\_  
 Temperature: \_\_\_\_\_ °C (°F) Specific gravity: \_\_\_\_\_  
 Suction: 250 mm (10") Flanged  
 Discharge: 200 mm (8") Flanged

### MATERIALS OF CONSTRUCTION

ANSI FLANGE RATING	PN 16	PN 25
<b>Construction</b>	<input type="checkbox"/> BF	<input type="checkbox"/> DBF
<b>Casing</b>	Cast iron	Ductile iron

- Impeller:** Bronze
- Gasket:** Confined non-asbestos fiber
- Bearing frame:** Cast iron
- Anti-friction bearings:** Permanently lubricated
- Shaft:** Carbon steel
- Shaft sleeve:** Stainless steel
- Coupler:** Woods sure flex or equal
- Coupler guard:** Steel OSHA
- Baseplate:** Fabricated steel

### MECHANICAL SEAL DATA

- Seal type:** 2A      **Stationary seat:** Silicone carbide
- Secondary seal:** EPDM      **Rotating hardware:** Stainless steel
- Spring:** Stainless steel

### MOTOR DESIGN DATA

kW: \_\_\_\_\_ RPM: \_\_\_\_\_  
 Frame size: \_\_\_\_\_ Enclosure: \_\_\_\_\_  
 Volts: \_\_\_\_\_ Hertz: 50 Hz      Phase: 3  
 Efficiency:  IE1     IE2     IE3

### MAXIMUM PUMP OPERATING CONDITIONS

- PN 16**  
 12 bars at 65°C (175 psig at 150°F)  
 10 bars at 121°C (140 psig at 250°F)
- PN 25**  
 20 bars at 65°C (300 psig at 150°F)  
 17 bars at 121°C (250 psig at 250°F)
- Tolerance of ±3 mm (±0.125") should be used
- For exact installation, data please write factory for certified dimensions
- Pump equipped with casing drain plug and ¼" NPT suction and discharge gauge ports.
- See performance curves on page 3

### OPTIONAL EQUIPMENT

FLUID TYPE	ALL GLYCOLS > 30% WT CONC		ALL OTHER NON-POTABLE FLUIDS		POTABLE (DRINKING) WATER	
	up to 93°C (200°F)	over 93°C (200°F)	up to 93°C (200°F)	over 93°C (200°F)	up to 93°C (200°F)	over 93°C (200°F)
<b>Rotating face</b>	Silicone carbide		Resin bonded carbon	Antimony loaded carbon	Resin bonded carbon	
<b>Seat elastomer</b>	EPDM (L-cup)	EPDM (O-ring)	EPDM (L-cup)	EPDM (O-ring)	EPDM (L-cup)	EPDM (O-ring)
<b>Material code</b>	SCsc L EPSS 2A	SCsc O EPSS 2A	C-SC L EPSS 2A	ACsc O EPSS 2A	C-SC L EPSS 2A	C-SC O EPSS 2A

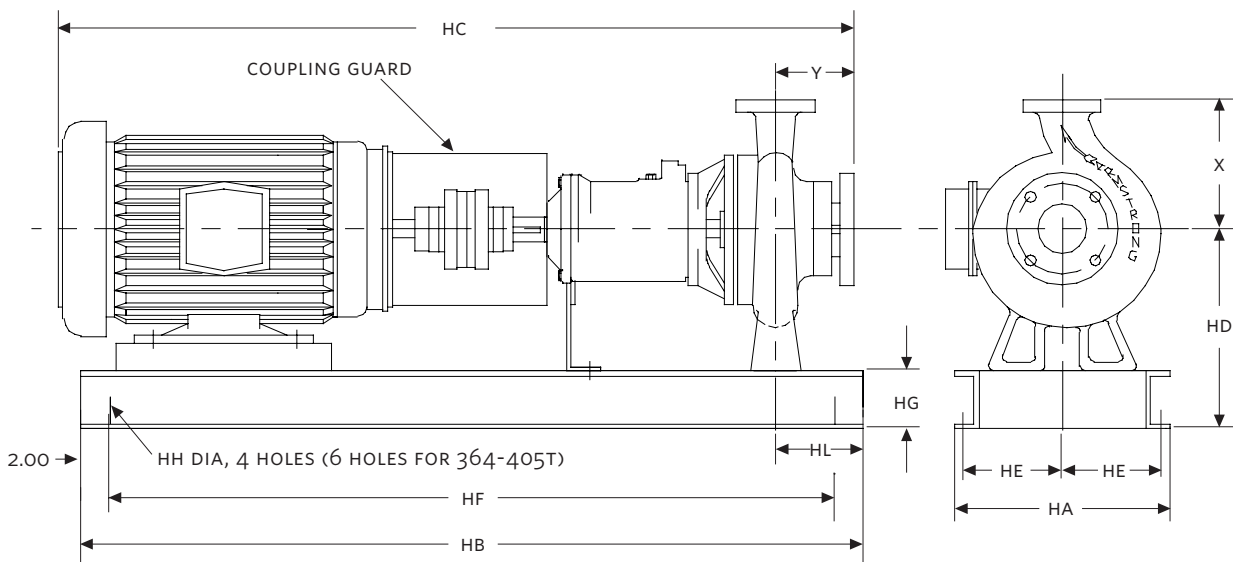
MOTOR	MOTOR kW @ RPM		FULL LOAD CURRENT (A)	STARTING CURRENT (A)		DIMENSIONS mm(INCHES)								WEIGHT*
	TEFC			STAR DELTA (SD)	DIRECT ON LINE (DOL)	HA	HB	HC	HD	HE	HF	HG	HL	TEFC
FRAME			380-415V											kg (lbs)
	3000	1500												
180M	—	18.5	36.3	94.4	304.9	635 (25.00)	1473 (58.00)	1308 (51.51)	470 (18.50)	302 (11.88)	1575 (62.00)	102 (4.00)	165 (6.50)	463 (1022)
180L	—	22	41.8	92.0	313.5	635 (25.00)	1473 (58.00)	1406 (55.37)	470 (18.50)	302 (11.88)	1575 (62.00)	102 (4.00)	165 (6.50)	485 (1070)
200L	—	30	58.0	139.2	435.0	635 (25.00)	1473 (58.00)	1482 (58.36)	470 (18.50)	302 (11.88)	1575 (62.00)	102 (4.00)	165 (6.50)	521 (1149)
225S	—	37	69.6	160.1	508.1	635 (25.00)	1676 (66.00)	1533 (60.34)	470 (18.50)	302 (11.88)	1575 (62.00)	102 (4.00)	165 (6.50)	641 (1414)
225M	—	45	83.4	200.2	608.8	635 (25.00)	1676 (66.00)	1561 (61.44)	470 (18.50)	302 (11.88)	1575 (62.00)	102 (4.00)	165 (6.50)	662 (1460)
250M	—	55	101.0	242.4	737.3	635 (25.00)	1676 (66.00)	1642 (64.63)	470 (18.50)	302 (11.88)	1676 (66.00)	102 (4.00)	165 (6.50)	743 (1639)
280S	—	75	139.0	319.7	1014.7	635 (25.00)	1676 (66.00)	1778 (69.99)	470 (18.50)	302 (11.88)	1676 (66.00)	102 (4.00)	165 (6.50)	938 (2069)

\*Assembly weight combines pump and motor.

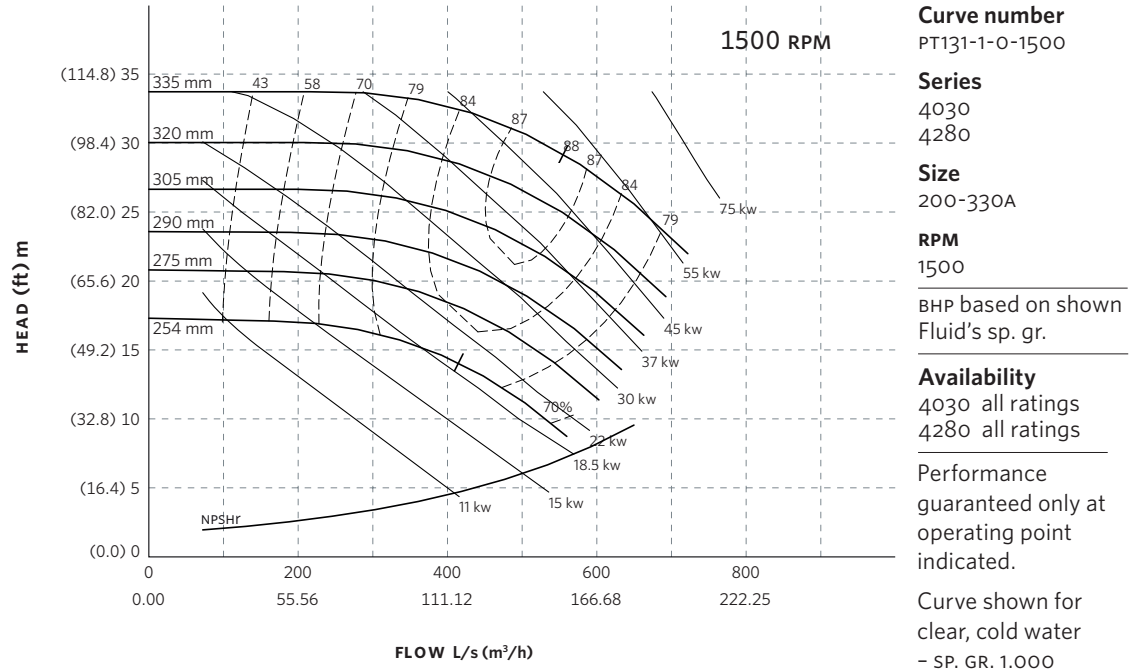
**PUMP DIMENSIONS**

mm (inches)

X	Y
457 (18.00)	152 (6.00)



## SERIES 4030 PERFORMANCE CURVES



Performance curves are for reference only.  
Confirm current performance data with Armstrong ACE Online selection software.

**TORONTO**

23 BERTRAND AVENUE  
TORONTO, ONTARIO  
CANADA  
M1L 2P3  
+1 416 755 2291

**BUFFALO**

93 EAST AVENUE  
NORTH TONAWANDA, NEW YORK  
U.S.A.  
14120-6594  
+1 716 693 8813

**BIRMINGHAM**

HEYWOOD WHARF, MUCKLOW HILL  
HALESOWEN, WEST MIDLANDS  
UNITED KINGDOM  
B62 8DJ  
+44 (0) 8444 145 145

**MANCHESTER**

WOLVERTON STREET  
MANCHESTER  
UNITED KINGDOM  
M11 2ET  
+44 (0) 8444 145 145

**BANGALORE**

#59, FIRST FLOOR, 3RD MAIN  
MARGOSA ROAD, MALLESWARAM  
BANGALORE, INDIA  
560 003  
+91 (0) 80 4906 3555

**SHANGHAI**

NO. 1619 HU HANG ROAD, XI DU TOWNSHIP  
FENG XIAN DISTRICT, SHANGHAI  
P.R.C.  
201401  
+86 21 3756 6696

ARMSTRONG FLUID TECHNOLOGY  
ESTABLISHED 1934

ARMSTRONGFLUIDTECHNOLOGY.COM

**MAKING  
ENERGY  
MAKE  
SENSE™**