

## SERIES 4280 | END SUCTION BASE MOUNTED SPLIT COUPLED | 25-150A (1.5×1×6) | SUBMITTAL

File No: 42.54L  
Date: MARCH 24, 2014  
Supersedes: NEW  
Date: NEW

Job: \_\_\_\_\_ Representative: \_\_\_\_\_

Order no.: \_\_\_\_\_ Date: \_\_\_\_\_

Engineer: \_\_\_\_\_ Submitted by: \_\_\_\_\_ Date: \_\_\_\_\_

Contractor: \_\_\_\_\_ Approved by: \_\_\_\_\_ Date: \_\_\_\_\_

### PUMP DESIGN DATA

No. of pumps: \_\_\_\_\_ Tag: \_\_\_\_\_  
Capacity: \_\_\_\_\_ m<sup>3</sup>/h (USgpm) Head: \_\_\_\_\_ m (ft)  
Liquid: \_\_\_\_\_ Viscosity: \_\_\_\_\_  
Temperature: \_\_\_\_\_ °C (°F) Specific gravity: \_\_\_\_\_  
Suction: 38mm (1.5") Flanged  
Discharge: 25mm (1") Flanged

### MATERIALS OF CONSTRUCTION

FLANGE RATING	PN 16	PN 25
Construction	<input type="checkbox"/> BF	<input type="checkbox"/> DBF
Casing	Cast iron	Ductile iron
Adapter	Cast iron	Ductile iron

**Impeller:** Bronze

**Gasket:** Confined non-asbestos fiber

**Bearing frame:** Cast iron

**Shaft:** Carbon steel

**Shaft sleeve:** Bronze

### MECHANICAL SEAL DATA

**Seal type:** 2A

**Stationary seat:** Silicone carbide

**Secondary seal:** EPDM

**Rotating hardware:** Stainless steel

**Spring:** Stainless steel

### MOTOR DESIGN DATA

kW: \_\_\_\_\_ RPM: \_\_\_\_\_ Frame size: \_\_\_\_\_ Enclosure: \_\_\_\_\_  
Volts: \_\_\_\_\_ Hertz: 50 Hz Phase: 3  
Efficiency:  IE1 (NON-EU only)  IE2  IE3

### MAXIMUM PUMP OPERATING CONDITIONS

#### PN 16

16 bars at 121°C (232 psig at 250°F)

#### PN 25

20 bars at 121°C (300 psig at 250°F)

- Tolerance of ±0.125" (±3 mm) should be used
- See performance curves on page 3
- For exact installation, data please write factory for certified dimensions
- Pump equipped with casing drain plug and ¼" NPT suction and discharge gauge ports

### OPTIONAL EQUIPMENT

FLUID TYPE	ALL GLYCOLS > 30% WT CONC		ALL OTHER NON-POTABLE FLUIDS		POTABLE (DRINKING) WATER	
	up to 93°C (200°F)	over 93°C (200°F)	up to 93°C (200°F)	over 93°C (200°F)	up to 93°C (200°F)	over 93°C (200°F)
Temperature	up to 93°C (200°F)	over 93°C (200°F)	up to 93°C (200°F)	over 93°C (200°F)	up to 93°C (200°F)	over 93°C (200°F)
Rotating face	Silicone carbide		Resin bonded carbon	Antimony loaded carbon	Resin bonded carbon	
Seat elastomer	EPDM (L-cup)	EPDM (O-ring)	EPDM (L-cup)	EPDM (O-ring)	EPDM (L-cup)	EPDM (O-ring)
Material code	SCSC L EPSS 2A	SCSC O EPSS 2A	C-SC L EPSS 2A	ACSC O EPSS 2A	C-SC L EPSS 2A	C-SC O EPSS 2A

2

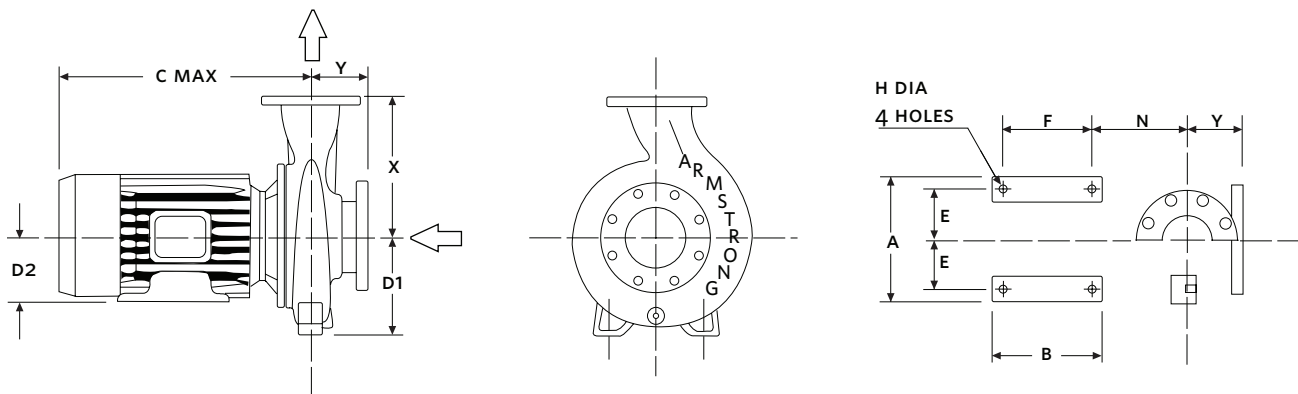
MOTOR	HORSEPOWER @ kW		FULL LOAD CURRENT (A)	STARTING CURRENT (A)		MAX. DIMENSIONS mm (INCHES)							MAX. ASSEMBLY WEIGHT*	
	3000	1500		STAR DELTA (SD)	DIRECT ON LINE (DOL)	A	B	C MAX	D1	D2	E	F		N
80	—	0.55	1.3	—	5.5	165 (6.49)	162 (6.38)	413 (16.26)	133 (5.25)	133 (5.25)	125 (4.92)	141 (5.55)	175 (6.91)	30.5 (67)
80	0.55	—	1.3	—	5.5	165 (6.49)	162 (6.38)	413 (16.26)	133 (5.25)	133 (5.25)	125 (4.92)	141 (5.55)	175 (6.91)	28.5 (63)
80	0.75	—	1.70	—	9.4	165 (6.49)	162 (6.38)	413 (16.26)	133 (5.25)	133 (5.25)	125 (4.92)	141 (5.55)	175 (6.91)	32.5 (72)
80	1.1	—	2.41	—	16.1	165 (6.49)	162 (6.38)	413 (16.26)	133 (5.25)	133 (5.25)	125 (4.92)	141 (5.55)	175 (6.91)	34.0 (75)
90S	1.5	—	3.28	—	19.7	200 (7.87)	187 (7.36)	364 (14.33)	133 (5.25)	133 (5.25)	140 (5.51)	166 (6.54)	156 (6.16)	37.5 (83)
90L	2.2	—	4.75	—	29.9	200 (7.87)	187 (7.36)	411 (16.18)	133 (5.25)	133 (5.25)	140 (5.51)	166 (6.54)	181 (7.14)	41.0 (90)
100L	3	—	6.13	—	47.8	230 (9.06)	230 (9.06)	436 (17.16)	133 (5.25)	133 (5.25)	160 (6.30)	200 (7.87)	179 (7.04)	48.5 (107)

**PUMP DIMENSIONS**

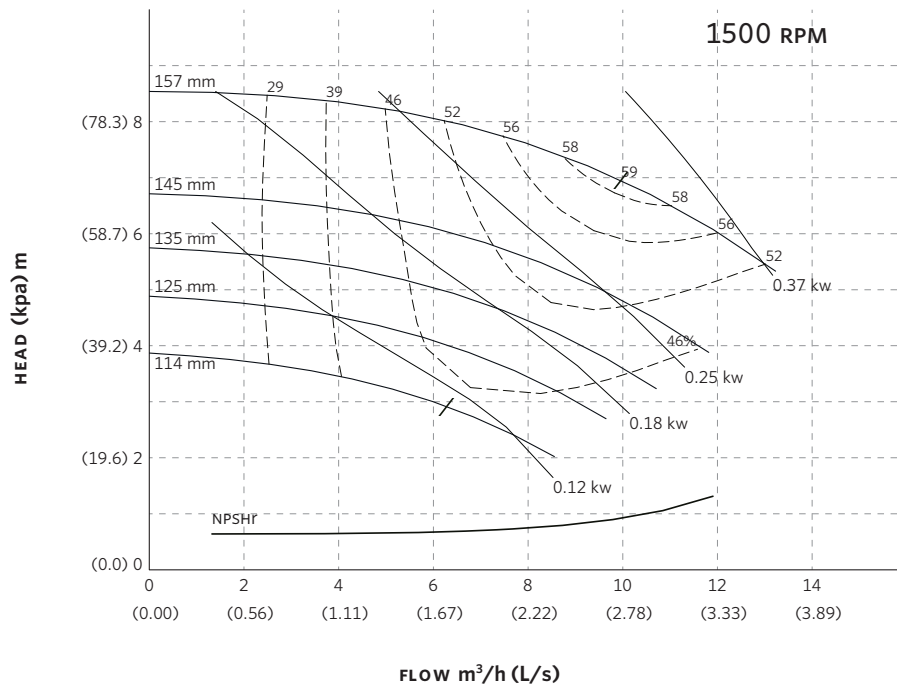
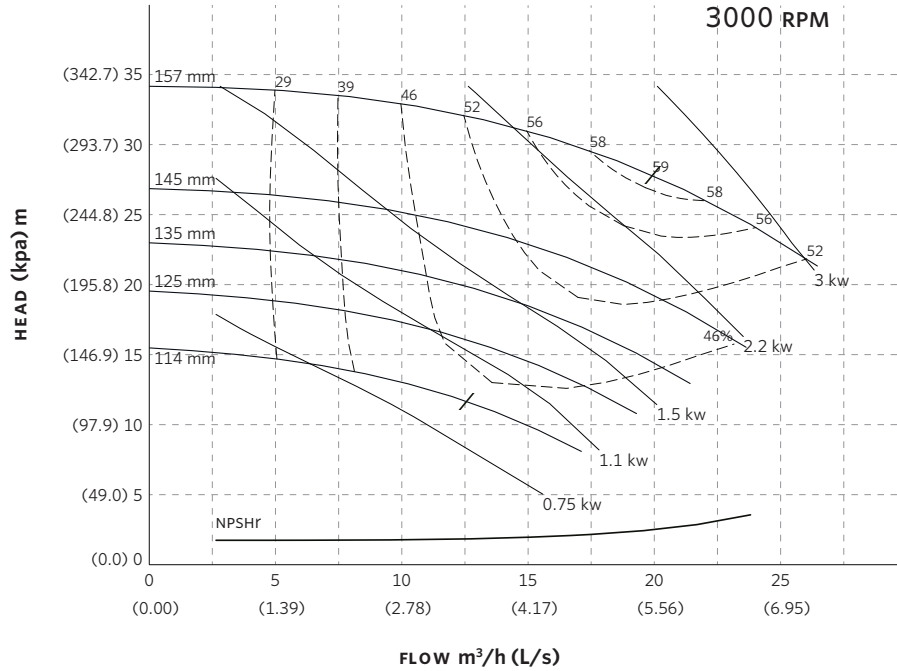
mm (inches)

G	I	X
102 (4.01)	152 (6.00)	165 (6.50)

\*Assembly weight combines pump and motor.



## SERIES 4280 PERFORMANCE CURVES



Performance curves are for reference only.  
Confirm current performance data with Armstrong ACE Online selection software.

**TORONTO**

23 BERTRAND AVENUE  
TORONTO, ONTARIO  
CANADA  
M1L 2P3  
+1 416 755 2291

**BUFFALO**

93 EAST AVENUE  
NORTH TONAWANDA, NEW YORK  
U.S.A.  
14120-6594  
+1 716 693 8813

**BIRMINGHAM**

HEYWOOD WHARF, MUCKLOW HILL  
HALESOWEN, WEST MIDLANDS  
UNITED KINGDOM  
B62 8DJ  
+44 (0) 8444 145 145

**MANCHESTER**

WENLOCK WAY  
MANCHESTER  
UNITED KINGDOM  
M12 5JL  
+44 (0) 8444 145 145

**BANGALORE**

#59, FIRST FLOOR, 3RD MAIN  
MARGOSA ROAD, MALLESWARAM  
BANGALORE, INDIA  
560 003  
+91 (0) 80 4906 3555

**SHANGHAI**

NO. 1619 HU HANG ROAD, XI DU TOWNSHIP  
FENG XIAN DISTRICT, SHANGHAI  
P.R.C.  
201401  
+86 21 3756 6696

**MAKING  
ENERGY  
MAKE  
SENSE™**