

# SERIES 4280 | END SUCTION BASE MOUNTED SPLIT COUPLED | 50-150A (3x2x6) | SUBMITTAL

File No: 42.56L  
Date: MARCH 24, 2016  
Supersedes: 42.56L  
Date: MARCH 24, 2014

Job: \_\_\_\_\_ Representative: \_\_\_\_\_

Order no.: \_\_\_\_\_ Date: \_\_\_\_\_

Engineer: \_\_\_\_\_ Submitted by: \_\_\_\_\_ Date: \_\_\_\_\_

Contractor: \_\_\_\_\_ Approved by: \_\_\_\_\_ Date: \_\_\_\_\_

## PUMP DESIGN DATA

No. of pumps: \_\_\_\_\_ Tag: \_\_\_\_\_  
Capacity: \_\_\_\_\_ m<sup>3</sup>/h (USgpm) Head: \_\_\_\_\_ m (ft)  
Liquid: \_\_\_\_\_ Viscosity: \_\_\_\_\_  
Temperature: \_\_\_\_\_ °C (°F) Specific gravity: \_\_\_\_\_  
Suction: 75mm (3") Flanged  
Discharge: 50mm (2") Flanged

## MOTOR DESIGN DATA

kW: \_\_\_\_\_ RPM: \_\_\_\_\_ Frame size: \_\_\_\_\_ Enclosure: \_\_\_\_\_  
Volts: \_\_\_\_\_ Hertz: 50 Hz Phase: 3  
Efficiency:  IE1 (NON-EU only)  IE2  IE3

## MATERIALS OF CONSTRUCTION

FLANGE RATING	PN 16	PN 25
Construction	<input type="checkbox"/> BF	<input type="checkbox"/> DBF
Casing	Cast iron	Ductile iron
Adapter	Cast iron	Ductile iron

**Impeller:** Bronze

**Gasket:** Confined non-asbestos fiber

**Bearing frame:** Cast iron

**Shaft:** Carbon steel

**Shaft sleeve:** Bronze

## MAXIMUM PUMP OPERATING CONDITIONS

### PN 16

12 bars at 65°C (175 psig at 150°F)  
10 bars at 121°C (140 psig at 250°F)

### PN 25

20 bars at 65°C (300 psig at 150°F)  
17 bars at 121°C (250 psig at 250°F)

- Tolerance of ±0.125" (±3 mm) should be used
- See performance curves on page 3
- For exact installation, data please write factory for certified dimensions
- Pump equipped with casing drain plug and ¼" NPT suction and discharge gauge ports

## MECHANICAL SEAL DATA

**Seal type:** 2A      **Stationary seat:** Silicone carbide  
**Secondary seal:** EPDM      **Rotating hardware:** Stainless steel  
**Spring:** Stainless steel

## OPTIONAL EQUIPMENT

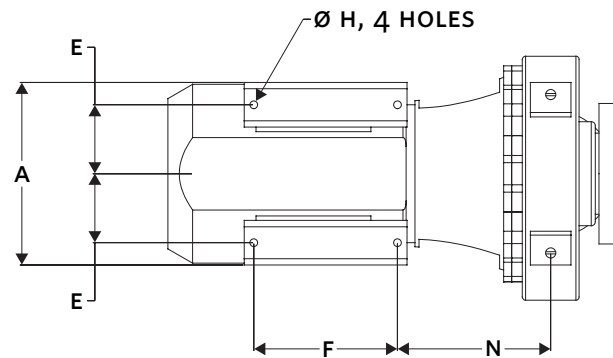
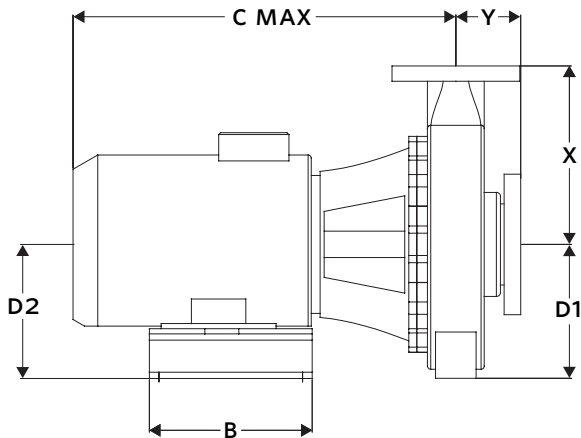
FLUID TYPE	ALL GLYCOLS > 30% WT CONC		ALL OTHER NON-POTABLE FLUIDS		POTABLE (DRINKING) WATER	
Temperature	up to 93°C (200°F)	over 93°C (200°F)	up to 93°C (200°F)	over 93°C (200°F)	up to 93°C (200°F)	over 93°C (200°F)
Rotating face	Silicone carbide		Resin bonded carbon	Antimony loaded carbon	Resin bonded carbon	
Seat elastomer	EPDM (L-cup)	EPDM (o-ring)	EPDM (L-cup)	EPDM (o-ring)	EPDM (L-cup)	EPDM (o-ring)
Material code	SCSc L EPSS 2A	SCSc O EPSS 2A	C-sc L EPSS 2A	ACSc O EPSS 2A	C-sc L EPSS 2A	C-sc O EPSS 2A

MOTOR	HORSEPOWER @ kW		FULL LOAD CURRENT (A)	STARTING CURRENT (A)		MAX. DIMENSIONS mm (inches)								ASSEMBLY WEIGHT*		
	TEFC			STAR DELTA (SD)	DIRECT ON LINE (DOL)	A	B	C MAX	D1	D2	E	F	N	TEFC		
FRAME	3000	1500	380-415V											kgs (lbs)		
80	—	0.55	1.3	—	5.5	165 (6.49)	162 (6.38)	413 (16.26)	159 (6.25)	164 (6.46)	63 (2.47)	141 (5.55)	176 (6.94)	37.3 (82)		
80	—	0.75	1.68	—	7.4	165 (6.49)	162 (6.38)	413 (16.26)	159 (6.25)	164 (6.46)	63 (2.47)	141 (5.55)	176 (6.94)	40.3 (89)		
90S	1.5	—	3.28	—	19.7	200 (7.87)	187 (7.36)	364 (14.33)	159 (6.25)	158 (6.22)	70 (2.76)	166 (6.54)	156 (6.16)	44.3 (98)		
90L	2.2	—	4.75	—	29.9	200 (7.87)	187 (7.36)	411 (16.18)	159 (6.25)	158 (6.22)	70 (2.76)	166 (6.54)	181 (7.14)	47.8 (105)		
100L	3	—	6.1	—	47.8	210 (8.27)	220 (8.66)	436 (17.16)	159 (6.25)	158 (6.22)	80 (3.15)	190 (7.48)	184 (7.24)	55.3 (122)		
112M	4	—	8.0	22.4	62.4	260 (10.24)	220 (8.66)	480 (18.89)	159 (6.25)	158 (6.22)	95 (3.74)	190 (7.48)	191 (7.52)	64.8 (143)		
132S	5.5	—	10.8	25.9	88.6	286 (11.26)	300 (11.81)	590 (23.23)	159 (6.25)	159 (6.25)	108 (4.25)	250 (9.84)	237 (9.33)	86.8 (191)		

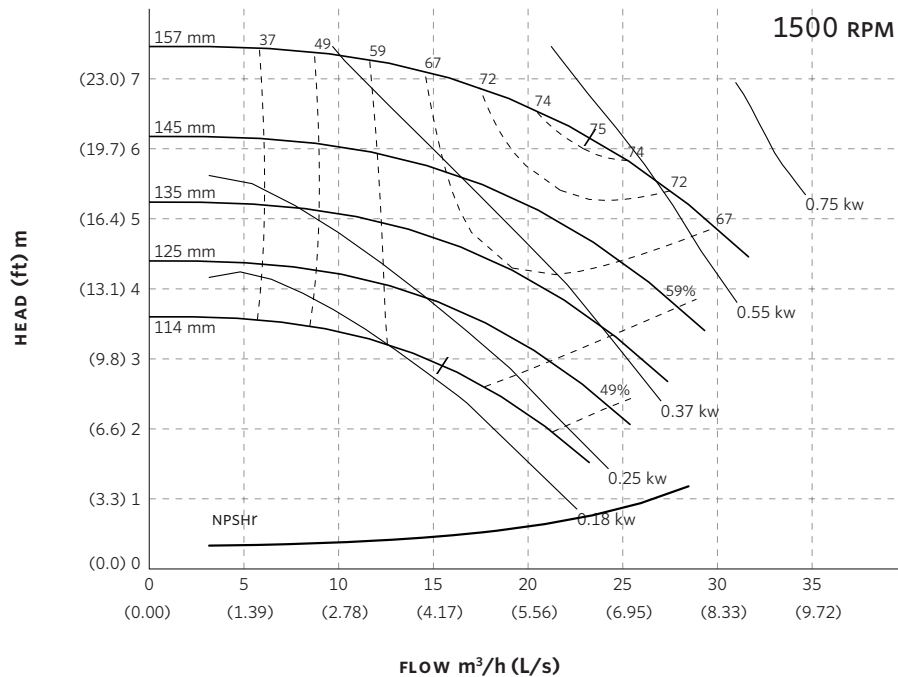
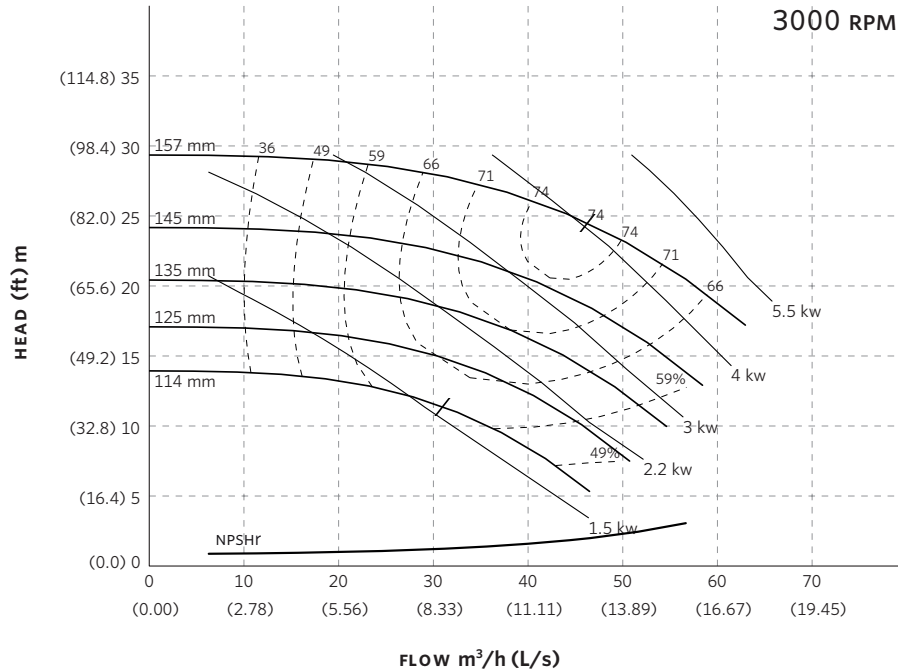
\*Assembly weight combines pump and motor.

**PUMP DIMENSIONS**  
mm (inches)

X	Y
210 (8.25)	102 (4.01)



## SERIES 4280 PERFORMANCE CURVES



Performance curves are for reference only.  
Confirm current performance data with Armstrong ACE Online selection software.

**TORONTO**

23 BERTRAND AVENUE  
TORONTO, ONTARIO  
CANADA  
M1L 2P3  
+1 416 755 2291

**BUFFALO**

93 EAST AVENUE  
NORTH TONAWANDA, NEW YORK  
U.S.A.  
14120-6594  
+1 716 693 8813

**BIRMINGHAM**

HEYWOOD WHARF, MUCKLOW HILL  
HALESOWEN, WEST MIDLANDS  
UNITED KINGDOM  
B62 8DJ  
+44 (0) 8444 145 145

**MANCHESTER**

WOLVERTON STREET  
MANCHESTER  
UNITED KINGDOM  
M11 2ET  
+44 (0) 8444 145 145

**BANGALORE**

#59, FIRST FLOOR, 3RD MAIN  
MARGOSA ROAD, MALLESWARAM  
BANGALORE, INDIA  
560 003  
+91 (0) 80 4906 3555

**SHANGHAI**

NO. 1619 HU HANG ROAD, XI DU TOWNSHIP  
FENG XIAN DISTRICT, SHANGHAI  
P.R.C.  
201401  
+86 21 3756 6696

**SÃO PAULO**

RUA JOSÉ SEMIÃO RODRIGUES AGOSTINHO,  
1370 GALPÃO 6  
EMBU DAS ARTES  
SAO PAULO, BRAZIL  
+55 11 4781 5500

ARMSTRONG FLUID TECHNOLOGY  
ESTABLISHED 1934

ARMSTRONGFLUIDTECHNOLOGY.COM

**MAKING  
ENERGY  
MAKE  
SENSE™**