

SERIES 4280 | END SUCTION BASE MOUNTED SPLIT COUPLED | 50-200A (3x2x8) | SUBMITTAL

File No: 42.61L
Date: MARCH 24, 2014
Supersedes: NEW
Date: NEW

Job: _____ Representative: _____
 _____ Order no.: _____ Date: _____
 Engineer: _____ Submitted by: _____ Date: _____
 Contractor: _____ Approved by: _____ Date: _____

PUMP DESIGN DATA

No. of pumps: _____ Tag: _____
 Capacity: _____ m³/h (USgpm) Head: _____ m (ft)
 Liquid: _____ Viscosity: _____
 Temperature: _____ °C (°F) Specific gravity: _____
 Suction: 75mm (3") Flanged
 Discharge: 50mm (2") Flanged

MATERIALS OF CONSTRUCTION

FLANGE RATING	PN 16	PN 25
Construction	<input type="checkbox"/> BF	<input type="checkbox"/> DBF
Casing	Cast iron	Ductile iron
Adapter	Cast iron	Ductile iron

Impeller: Bronze
Gasket: Confined non-asbestos fiber
Bearing frame: Cast iron
Shaft: Carbon steel
Shaft sleeve: Bronze

MECHANICAL SEAL DATA

Seal type: 2A **Stationary seat:** Silicone carbide
Secondary seal: EPDM **Rotating hardware:** Stainless steel
Spring: Stainless steel

FLUID TYPE	ALL GLYCOLS > 30% WT CONC		ALL OTHER NON-POTABLE FLUIDS		POTABLE (DRINKING) WATER	
	up to 93°C (200°F)	over 93°C (200°F)	up to 93°C (200°F)	over 93°C (200°F)	up to 93°C (200°F)	over 93°C (200°F)
Temperature	up to 93°C (200°F)	over 93°C (200°F)	up to 93°C (200°F)	over 93°C (200°F)	up to 93°C (200°F)	over 93°C (200°F)
Rotating face	Silicone carbide		Resin bonded carbon	Antimony loaded carbon	Resin bonded carbon	
Seat elastomer	EPDM (L-cup)	EPDM (O-ring)	EPDM (L-cup)	EPDM (O-ring)	EPDM (L-cup)	EPDM (O-ring)
Material code	SCSC L EPSS 2A	SCSC O EPSS 2A	C-SC L EPSS 2A	ACSC O EPSS 2A	C-SC L EPSS 2A	C-SC O EPSS 2A

MOTOR DESIGN DATA

kW: _____ RPM: _____ Frame size: _____ Enclosure: _____
 Volts: _____ Hertz: 50 Hz Phase: 3
 Efficiency: IE1 (NON-EU only) IE2 IE3

MAXIMUM PUMP OPERATING CONDITIONS

PN 16
 16 bars at 121°C (232 psig at 250°F)

PN 25
 20 bars at 121°C (300 psig at 250°F)

- Tolerance of ±0.125" (±3 mm) should be used
- See performance curves on page 3
- For exact installation, data please write factory for certified dimensions
- Pump equipped with casing drain plug and ¼" NPT suction and discharge gauge ports

OPTIONAL EQUIPMENT

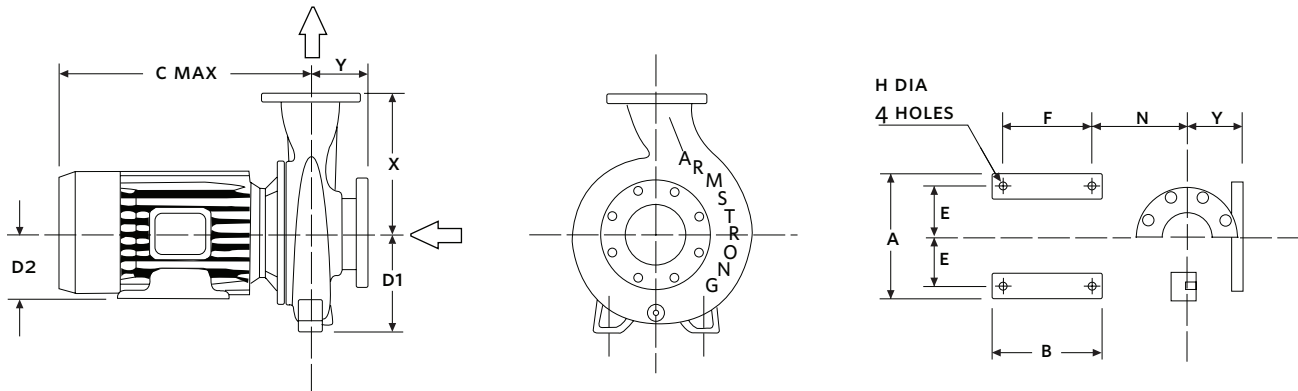
MOTOR	HORSEPOWER @ kW		FULL LOAD CURRENT (A)	STARTING CURRENT (A)		MAX. DIMENSIONS mm (INCHES)							MAX. ASSEMBLY WEIGHT*	
	3000	1500		STAR DELTA (SD)	DIRECT ON LINE (DOL)	A	B	C MAX	D1	D2	E	F		N
80	—	0.55	1.3	—	5.5	175 (6.89)	162 (6.38)	413 (16.28)	193 (7.61)	193 (7.61)	125 (4.92)	176 (6.93)	176 (6.93)	46.8 (103)
80	—	0.75	1.68	—	7.4	175 (6.89)	162 (6.38)	413 (16.28)	193 (7.61)	193 (7.61)	125 (4.92)	176 (6.93)	176 (6.93)	49.8 (110)
90S	—	1.1	2.47	—	12.6	190 (7.48)	187 (7.36)	364 (14.35)	193 (7.61)	193 (7.61)	140 (5.51)	166 (6.54)	157 (6.18)	55.3 (122)
90L	—	1.5	3.33	—	18.6	190 (7.48)	187 (7.36)	411 (16.20)	193 (7.61)	193 (7.61)	140 (5.51)	166 (6.54)	182 (7.16)	58.3 (129)
100L	—	2.2	4.8	—	26.5	240 (9.45)	220 (8.66)	436 (17.18)	193 (7.61)	193 (7.61)	160 (6.30)	190 (7.48)	184 (7.26)	66.8 (147)
112M	4	—	8.0	22.4	62.4	260 (10.24)	220 (8.66)	480 (18.91)	193 (7.61)	193 (7.61)	190 (7.48)	190 (7.48)	191 (7.54)	74.3 (164)
132S	5.5	—	10.8	25.9	88.6	306 (12.04)	220 (8.66)	590 (23.24)	193 (7.61)	193 (7.61)	216 (8.50)	190 (7.48)	267 (10.52)	96.3 (212)
132S	7.5	—	14.5	36.3	118.9	306 (12.04)	220 (8.66)	590 (23.24)	193 (7.61)	193 (7.61)	216 (8.50)	190 (7.48)	267 (10.52)	99.3 (219)
160M	11	—	21.1	52.8	164.6	334 (13.15)	364 (14.33)	696 (27.39)	193 (7.61)	193 (7.61)	254 (10.00)	332 (13.07)	296 (11.64)	140.3 (309)
160M	15	—	28.5	74.1	228.0	334 (13.15)	364 (14.33)	696 (27.39)	193 (7.61)	193 (7.61)	254 (10.00)	332 (13.07)	296 (11.64)	148.3 (327)
160L	18.5	—	34.9	94.2	303.6	334 (13.15)	364 (14.33)	766 (30.15)	193 (7.61)	193 (7.61)	254 (10.00)	332 (13.07)	340 (13.37)	160.3 (353)

PUMP DIMENSIONS

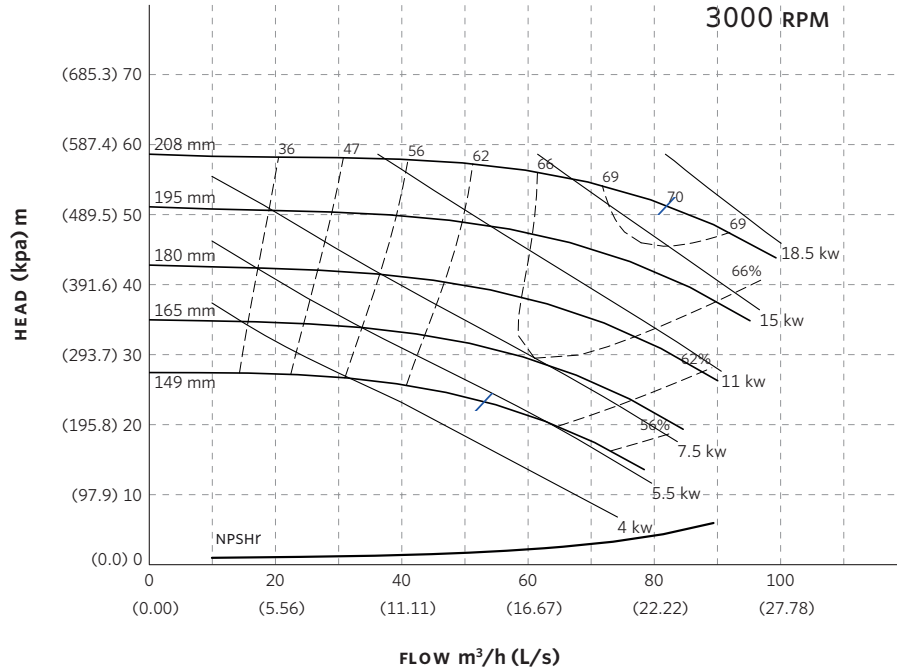
mm (inches)

G	I	X
102 (4.01)	178 (7.01)	241 (9.50)

*Assembly weight combines pump and motor.



SERIES 4280 PERFORMANCE CURVES



Curve number
PT65-3-0-3000

Series
4030
4280

Size
50-200

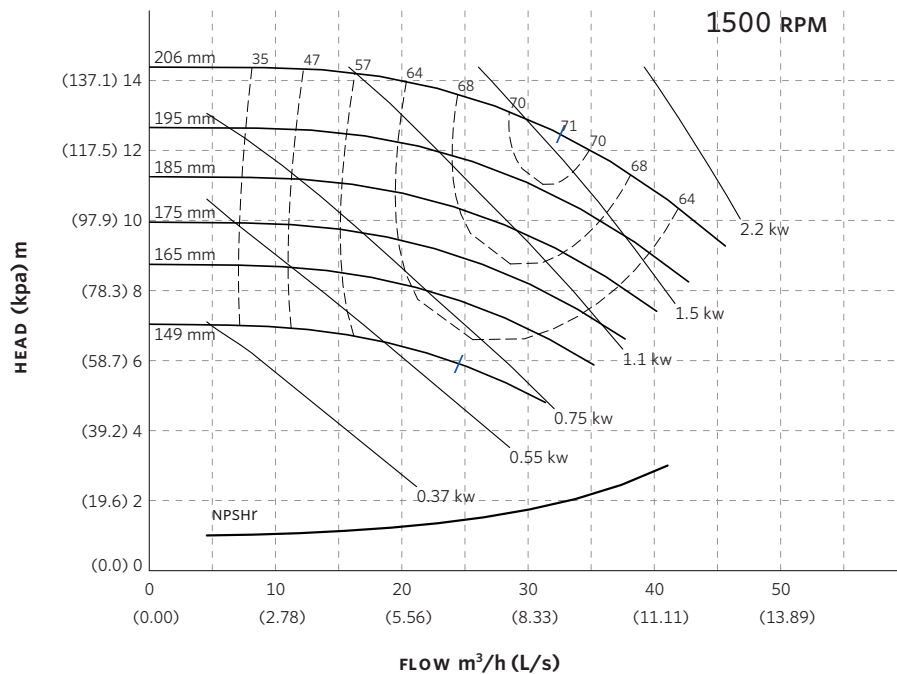
RPM
3000

BHP based on shown
Fluid's sp. gr.

Availability
4030 all ratings
4280 all ratings

Performance
guaranteed only
at operating point
indicated.

Curve shown for
clear, cold water
- SP. GR. 1.0000



Curve number
PT64-2-0-1500

Series
4030
4280

Size
50-200

RPM
1500

BHP based on shown
Fluid's sp. gr.

Availability
4030 all ratings
4280 all ratings.

Performance
guaranteed only
at operating point
indicated.

Curve shown for
clear, cold water
- SP. GR. 1.0000

Performance curves are for reference only.
Confirm current performance data with Armstrong ACE Online selection software.

TORONTO

23 BERTRAND AVENUE
TORONTO, ONTARIO
CANADA
M1L 2P3
+1 416 755 2291

BUFFALO

93 EAST AVENUE
NORTH TONAWANDA, NEW YORK
U.S.A.
14120-6594
+1 716 693 8813

BIRMINGHAM

HEYWOOD WHARF, MUCKLOW HILL
HALESOWEN, WEST MIDLANDS
UNITED KINGDOM
B62 8DJ
+44 (0) 8444 145 145

MANCHESTER

WENLOCK WAY
MANCHESTER
UNITED KINGDOM
M12 5JL
+44 (0) 8444 145 145

BANGALORE

#59, FIRST FLOOR, 3RD MAIN
MARGOSA ROAD, MALLESWARAM
BANGALORE, INDIA
560 003
+91 (0) 80 4906 3555

SHANGHAI

NO. 1619 HU HANG ROAD, XI DU TOWNSHIP
FENG XIAN DISTRICT, SHANGHAI
P.R.C.
201401
+86 21 3756 6696

**MAKING
ENERGY
MAKE
SENSE™**