

## SERIES 4280 | END SUCTION BASE MOUNTED SPLIT COUPLED | 50-250A (3×2×10) | SUBMITTAL

File No: 42.68L  
Date: MARCH 24, 2016  
Supersedes: 42.68L  
Date: MARCH 24, 2014

Job: \_\_\_\_\_ Representative: \_\_\_\_\_

Order no.: \_\_\_\_\_ Date: \_\_\_\_\_

Engineer: \_\_\_\_\_ Submitted by: \_\_\_\_\_ Date: \_\_\_\_\_

Contractor: \_\_\_\_\_ Approved by: \_\_\_\_\_ Date: \_\_\_\_\_

### PUMP DESIGN DATA

No. of pumps: \_\_\_\_\_ Tag: \_\_\_\_\_  
Capacity: \_\_\_\_\_ m<sup>3</sup>/h (USgpm) Head: \_\_\_\_\_ m (ft)  
Liquid: \_\_\_\_\_ Viscosity: \_\_\_\_\_  
Temperature: \_\_\_\_\_ °C (°F) Specific gravity: \_\_\_\_\_  
Suction: 75mm (3") Flanged  
Discharge: 50mm (2") Flanged

### MOTOR DESIGN DATA

kW: \_\_\_\_\_ RPM: \_\_\_\_\_ Frame size: \_\_\_\_\_ Enclosure: \_\_\_\_\_  
Volts: \_\_\_\_\_ Hertz: 50 Hz Phase: 3  
Efficiency:  IE1 (NON-EU only)  IE2  IE3

### MATERIALS OF CONSTRUCTION

FLANGE RATING	PN 16	PN 25
Construction	<input type="checkbox"/> BF	<input type="checkbox"/> DBF
Casing	Cast iron	Ductile iron
Adapter	Cast iron	Ductile iron

**Impeller:** Bronze

**Gasket:** Confined non-asbestos fiber

**Bearing frame:** Cast iron

**Shaft:** Carbon steel

**Shaft sleeve:** Bronze

### MAXIMUM PUMP OPERATING CONDITIONS

#### PN 16

12 bars at 65°C (175 psig at 150°F)  
10 bars at 121°C (140 psig at 250°F)

#### PN 25

20 bars at 65°C (300 psig at 150°F)  
17 bars at 121°C (250 psig at 250°F)

- Tolerance of ±0.125" (±3 mm) should be used
- See performance curves on page 3
- For exact installation, data please write factory for certified dimensions
- Pump equipped with casing drain plug and ¼" NPT suction and discharge gauge ports

### MECHANICAL SEAL DATA

**Seal type:** 2A      **Stationary seat:** Silicone carbide  
**Secondary seal:** EPDM      **Rotating hardware:** Stainless steel  
**Spring:** Stainless steel

### OPTIONAL EQUIPMENT

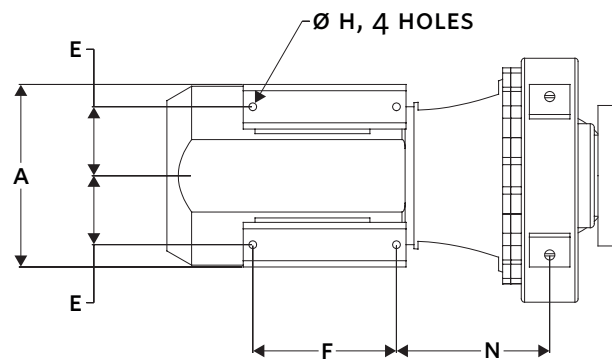
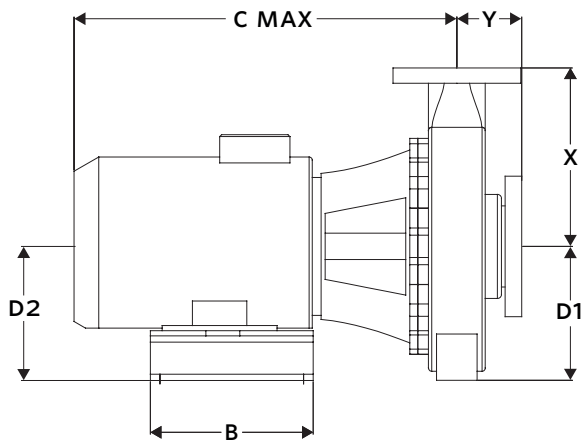
FLUID TYPE	ALL GLYCOLS > 30% WT CONC		ALL OTHER NON-POTABLE FLUIDS		POTABLE (DRINKING) WATER	
Temperature	up to 93°C (200°F)	over 93°C (200°F)	up to 93°C (200°F)	over 93°C (200°F)	up to 93°C (200°F)	over 93°C (200°F)
Rotating face	Silicone carbide		Resin bonded carbon	Antimony loaded carbon	Resin bonded carbon	
Seat elastomer	EPDM (L-cup)	EPDM (o-ring)	EPDM (L-cup)	EPDM (o-ring)	EPDM (L-cup)	EPDM (o-ring)
Material code	SCSc L EPSS 2A	SCSc O EPSS 2A	C-sc L EPSS 2A	ACSc O EPSS 2A	C-sc L EPSS 2A	C-sc O EPSS 2A

MOTOR	HORSEPOWER @ kW		FULL LOAD CURRENT (A)	STARTING CURRENT (A)		MAX. DIMENSIONS mm (inches)								ASSEMBLY WEIGHT*
	TEFC			STAR DELTA (SD)	DIRECT ON LINE (DOL)	A	B	C MAX	D1	D2	E	F	N	TEFC
FRAME	3000	1500	380-415V											kg (lbs)
90L	—	1.5	3.3	—	18.6	190 (7.48)	187 (7.36)	413 (16.24)	210 (8.25)	210 (8.25)	70 (2.76)	166 (6.54)	183 (7.21)	76.4 (169)
100L	—	2.2	4.82	—	26.5	220 (8.66)	220 (8.66)	437 (17.22)	210 (8.25)	210 (8.25)	80 (3.15)	190 (7.48)	185 (7.30)	84.9 (187)
100L	—	3	6.40	—	37.1	220 (8.66)	220 (8.66)	437 (17.22)	210 (8.25)	210 (8.25)	80 (3.15)	190 (7.48)	185 (7.30)	87.4 (193)
112M	—	4	8.41	18.5	58.9	250 (9.84)	220 (8.66)	481 (18.95)	210 (8.25)	210 (8.25)	95 (3.74)	190 (7.48)	193 (7.58)	96.4 (213)
132S	—	5.5	10.9	24.0	81.8	286 (11.26)	255 (10.04)	599 (23.60)	210 (8.25)	210 (8.25)	108 (4.25)	225 (8.86)	240 (9.45)	117.4 (259)
160M	11	—	21.1	52.8	164.6	324 (12.76)	340 (13.39)	638 (25.10)	210 (8.25)	210 (8.25)	127 (5.00)	308 (12.13)	249 (9.79)	158.4 (349)
160M	15	—	28.5	74.1	228.0	324 (12.76)	340 (13.39)	638 (25.10)	210 (8.25)	210 (8.25)	127 (5.00)	308 (12.13)	249 (9.79)	166.4 (367)
160L	18.5	—	34.9	94.2	303.6	324 (12.76)	340 (13.39)	707 (27.85)	210 (8.25)	210 (8.25)	127 (5.00)	308 (12.13)	293 (11.52)	178.4 (393)
180M	22	—	40.9	114.5	368.1	369 (14.52)	340 (13.39)	776 (30.54)	234 (9.23)	235 (9.25)	127 (5.00)	310 (12.20)	367 (14.46)	218.4 (482)
200L	30	—	55.9	139.8	436.0	418 (16.46)	425 (16.73)	950 (37.39)	260 (10.22)	262 (10.31)	159 (6.26)	393 (15.47)	370 (14.56)	280.4 (618)
200L	37	—	68.7	171.8	535.9	418 (16.46)	425 (16.73)	950 (37.39)	260 (10.22)	262 (10.31)	159 (6.26)	393 (15.47)	370 (14.56)	309.4 (682)

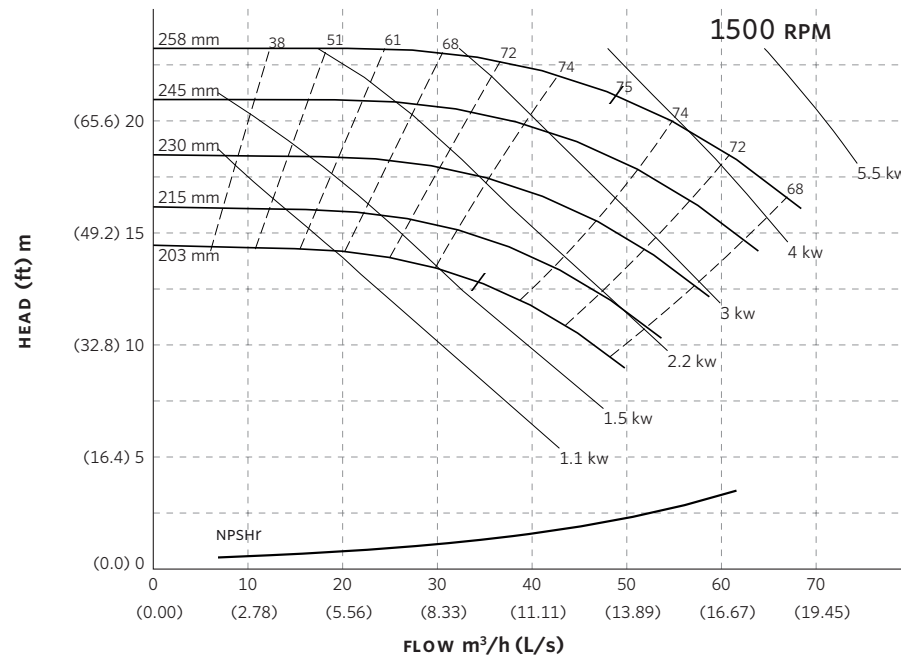
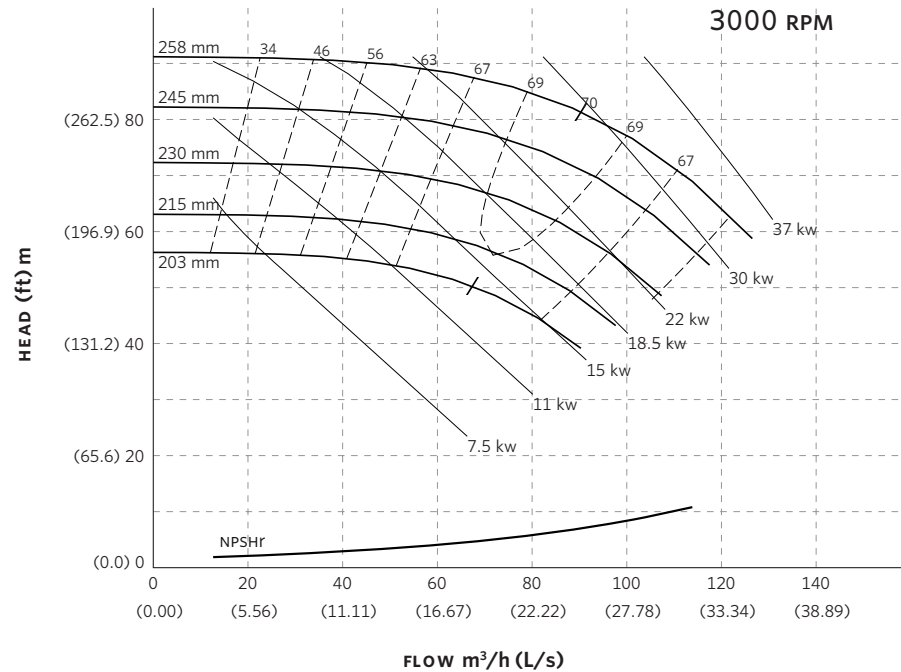
\*Assembly weight combines pump and motor.

**PUMP DIMENSIONS**  
mm (inches)

X	Y
241 (9.50)	102 (4.00)



## SERIES 4280 PERFORMANCE CURVES



Performance curves are for reference only.  
Confirm current performance data with Armstrong ACE Online selection software.

**TORONTO**

23 BERTRAND AVENUE  
TORONTO, ONTARIO  
CANADA  
M1L 2P3  
+1 416 755 2291

**BUFFALO**

93 EAST AVENUE  
NORTH TONAWANDA, NEW YORK  
U.S.A.  
14120-6594  
+1 716 693 8813

**BIRMINGHAM**

HEYWOOD WHARF, MUCKLOW HILL  
HALESOWEN, WEST MIDLANDS  
UNITED KINGDOM  
B62 8DJ  
+44 (0) 8444 145 145

**MANCHESTER**

WOLVERTON STREET  
MANCHESTER  
UNITED KINGDOM  
M11 2ET  
+44 (0) 8444 145 145

**BANGALORE**

#59, FIRST FLOOR, 3RD MAIN  
MARGOSA ROAD, MALLESWARAM  
BANGALORE, INDIA  
560 003  
+91 (0) 80 4906 3555

**SHANGHAI**

NO. 1619 HU HANG ROAD, XI DU TOWNSHIP  
FENG XIAN DISTRICT, SHANGHAI  
P.R.C.  
201401  
+86 21 3756 6696

**SÃO PAULO**

RUA JOSÉ SEMIÃO RODRIGUES AGOSTINHO,  
1370 GALPÃO 6  
EMBU DAS ARTES  
SAO PAULO, BRAZIL  
+55 11 4781 5500

ARMSTRONG FLUID TECHNOLOGY  
ESTABLISHED 1934

ARMSTRONGFLUIDTECHNOLOGY.COM

**MAKING  
ENERGY  
MAKE  
SENSE™**