

SERIES 4280 | END SUCTION BASE MOUNTED SPLIT COUPLED | 100-250A (5×4×10) | SUBMITTAL

File No: 42.71L
Date: MARCH 24, 2016
Supersedes: 42.71L
Date: MARCH 24, 2014

Job: _____ Representative: _____

Order no.: _____ Date: _____

Engineer: _____ Submitted by: _____ Date: _____

Contractor: _____ Approved by: _____ Date: _____

PUMP DESIGN DATA

No. of pumps: _____ Tag: _____
Capacity: _____ m³/h (USgpm) Head: _____ m (ft)
Liquid: _____ Viscosity: _____
Temperature: _____ °C (°F) Specific gravity: _____
Suction: 125mm (5") Lugged
Discharge: 100mm (4") Flanged

MOTOR DESIGN DATA

kW: _____ RPM: _____ Frame size: _____ Enclosure: _____
Volts: _____ Hertz: 50 Hz Phase: 3
Efficiency: IE1 (NON-EU only) IE2 IE3

MATERIALS OF CONSTRUCTION

FLANGE RATING	PN 16	PN 25
Construction	<input type="checkbox"/> BF	<input type="checkbox"/> DBF
Casing	Cast iron	Ductile iron
Adapter	Cast iron	Ductile iron

Impeller: Bronze

Gasket: Confined non-asbestos fiber

Bearing frame: Cast iron

Shaft: Carbon steel

Shaft sleeve: Bronze

MAXIMUM PUMP OPERATING CONDITIONS

PN 16

12 bars at 65°C (175 psig at 150°F)
10 bars at 121°C (140 psig at 250°F)

PN 25

20 bars at 65°C (300 psig at 150°F)
17 bars at 121°C (250 psig at 250°F)

- Tolerance of ±0.125" (±3 mm) should be used
- See performance curves on page 3
- For exact installation, data please write factory for certified dimensions
- Pump equipped with casing drain plug and ¼" NPT suction and discharge gauge ports

MECHANICAL SEAL DATA

Seal type: 2A **Stationary seat:** Silicone carbide
Secondary seal: EPDM **Rotating hardware:** Stainless steel
Spring: Stainless steel

OPTIONAL EQUIPMENT

FLUID TYPE	ALL GLYCOLS > 30% WT CONC		ALL OTHER NON-POTABLE FLUIDS		POTABLE (DRINKING) WATER	
Temperature	up to 93°C (200°F)	over 93°C (200°F)	up to 93°C (200°F)	over 93°C (200°F)	up to 93°C (200°F)	over 93°C (200°F)
Rotating face	Silicone carbide		Resin bonded carbon	Antimony loaded carbon	Resin bonded carbon	
Seat elastomer	EPDM (L-cup)	EPDM (o-ring)	EPDM (L-cup)	EPDM (o-ring)	EPDM (L-cup)	EPDM (o-ring)
Material code	SCSc L EPSS 2A	SCSc O EPSS 2A	C-sc L EPSS 2A	ACSc O EPSS 2A	C-sc L EPSS 2A	C-sc O EPSS 2A

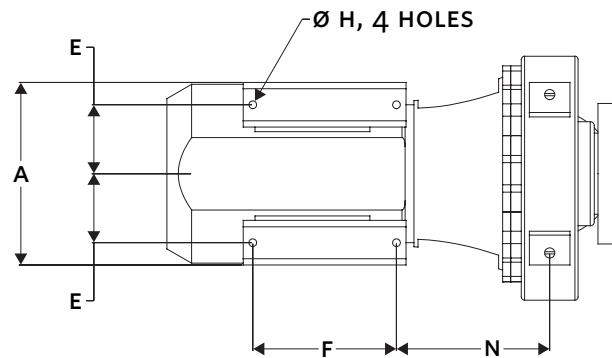
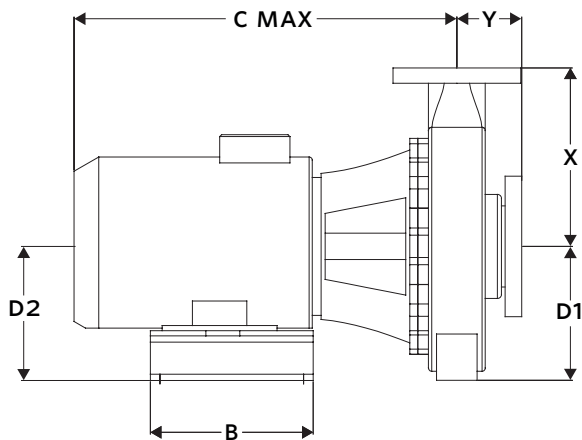
MOTOR	HORSEPOWER @ kW		FULL LOAD CURRENT (A)	STARTING CURRENT (A)		MAX. DIMENSIONS mm (inches)								ASSEMBLY WEIGHT*
	TEFC			STAR DELTA (SD)	DIRECT ON LINE (DOL)	A	B	C MAX	D1	D2	E	F	N	TEFC
FRAME	3000	1500	380-415V											kg (lbs)
100L	—	3	6.4	—	37.1	235 (9.25)	220 (8.66)	438 (17.23)	254 (10.00)	255 (10.04)	80 (3.15)	190 (7.48)	186 (7.31)	118.7 (262)
112M	—	4	8.41	18.5	58.9	250 (9.84)	220 (8.66)	482 (18.96)	254 (10.00)	252 (9.92)	95 (3.74)	190 (7.48)	193 (7.58)	127.7 (282)
132S	—	5.5	10.90	24.0	81.8	276 (10.86)	255 (10.04)	600 (23.61)	254 (10.00)	252 (9.92)	108 (4.25)	225 (8.86)	241 (9.47)	148.7 (328)
132M	—	7.5	14.90	32.8	111.8	276 (10.86)	255 (10.04)	623 (24.51)	254 (10.00)	252 (9.92)	108 (4.25)	225 (8.86)	279 (10.97)	157.7 (348)
160M	—	11	21.9	50.4	168.6	324 (12.76)	340 (13.39)	638 (25.10)	254 (10.00)	255 (10.04)	127 (5.00)	310 (12.20)	249 (9.79)	190.7 (420)
180M	22	—	40.9	114.5	368.1	379 (14.92)	365 (14.37)	776 (30.54)	254 (10.00)	255 (10.04)	139 (5.49)	335 (13.19)	336 (13.22)	249.7 (551)
200L	30	—	55.9	139.8	436.0	398 (15.67)	425 (16.73)	950 (37.39)	254 (10.00)	255 (10.04)	159 (6.26)	393 (15.47)	370 (14.55)	311.7 (687)
200L	37	—	68.7	171.8	535.9	398 (15.67)	425 (16.73)	950 (37.39)	254 (10.00)	255 (10.04)	159 (6.26)	393 (15.47)	370 (14.55)	340.7 (751)
225M	45	—	81.5	179.3	570.5	436 (17.17)	431 (16.97)	934 (36.76)	254 (10.00)	255 (10.04)	178 (7.01)	395 (15.55)	388 (15.26)	441.7 (974)

*Assembly weight combines pump and motor.

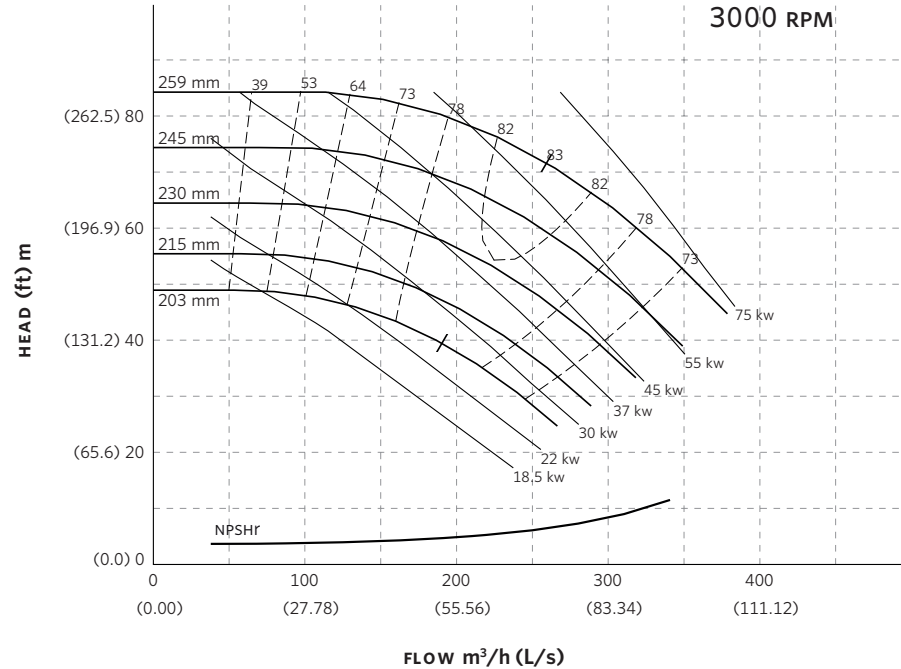
PUMP DIMENSIONS

mm (inches)

X	Y
318 (12.50)	102 (4.01)



SERIES 4280 PERFORMANCE CURVES



Curve number
PT97-1-0-3000

Series
4030
4280

Size
100-250

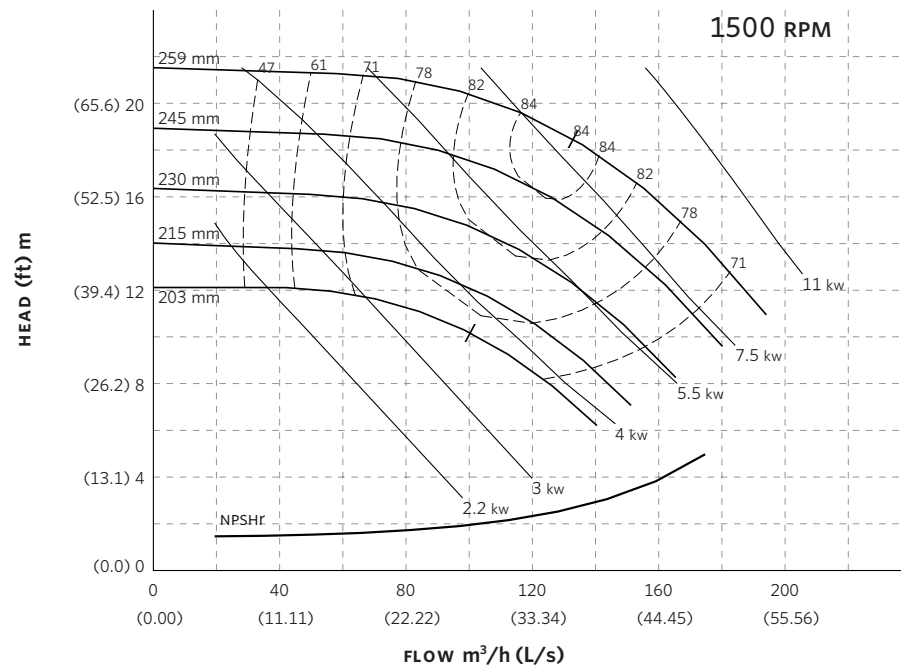
RPM
3000

BHP based on shown
Fluid's sp. gr.

Availability
4030 all ratings
4280 all ratings

Performance
guaranteed only
at operating point
indicated.

Curve shown for
clear, cold water
- SP. GR. 1.0000



Curve number
PT96-1-0-1500

Series
4030
4280

Size
100-250

RPM
1500

BHP based on shown
Fluid's sp. gr.

Availability
4030 all ratings
4280 all ratings.

Performance
guaranteed only
at operating point
indicated.

Curve shown for
clear, cold water
- SP. GR. 1.0000

Performance curves are for reference only.
Confirm current performance data with Armstrong ACE Online selection software.

TORONTO

23 BERTRAND AVENUE
TORONTO, ONTARIO
CANADA
M1L 2P3
+1 416 755 2291

BUFFALO

93 EAST AVENUE
NORTH TONAWANDA, NEW YORK
U.S.A.
14120-6594
+1 716 693 8813

BIRMINGHAM

HEYWOOD WHARF, MUCKLOW HILL
HALESOWEN, WEST MIDLANDS
UNITED KINGDOM
B62 8DJ
+44 (0) 8444 145 145

MANCHESTER

WOLVERTON STREET
MANCHESTER
UNITED KINGDOM
M11 2ET
+44 (0) 8444 145 145

BANGALORE

#59, FIRST FLOOR, 3RD MAIN
MARGOSA ROAD, MALLESWARAM
BANGALORE, INDIA
560 003
+91 (0) 80 4906 3555

SHANGHAI

NO. 1619 HU HANG ROAD, XI DU TOWNSHIP
FENG XIAN DISTRICT, SHANGHAI
P.R.C.
201401
+86 21 3756 6696

SÃO PAULO

RUA JOSÉ SEMIÃO RODRIGUES AGOSTINHO,
1370 GALPÃO 6
EMBU DAS ARTES
SAO PAULO, BRAZIL
+55 11 4781 5500

ARMSTRONG FLUID TECHNOLOGY
ESTABLISHED 1934

ARMSTRONGFLUIDTECHNOLOGY.COM

**MAKING
ENERGY
MAKE
SENSE™**