

SERIES 4280 | END SUCTION BASE MOUNTED SPLIT COUPLED | 40-330A (2×1.5×13) | SUBMITTAL

File No: 42.785L
Date: MARCH 24, 2014
Supersedes: NEW
Date: NEW

Job: _____ Representative: _____

Order no.: _____ Date: _____

Engineer: _____ Submitted by: _____ Date: _____

Contractor: _____ Approved by: _____ Date: _____

PUMP DESIGN DATA

No. of pumps: _____ Tag: _____
Capacity: _____ m³/h (USgpm) Head: _____ m (ft)
Liquid: _____ Viscosity: _____
Temperature: _____ °C (°F) Specific gravity: _____
Suction: 50mm (2") Flanged
Discharge: 38mm (1.5") Flanged

MATERIALS OF CONSTRUCTION

FLANGE RATING	PN 16	PN 25
Construction	<input type="checkbox"/> BF	<input type="checkbox"/> DBF
Casing	Cast iron	Ductile iron
Adapter	Cast iron	Ductile iron

Impeller: Bronze

Gasket: Confined non-asbestos fiber

Bearing frame: Cast iron

Shaft: Carbon steel

Shaft sleeve: Bronze

MECHANICAL SEAL DATA

Seal type: 2A

Stationary seat: Silicone carbide

Secondary seal: EPDM

Rotating hardware: Stainless steel

Spring: Stainless steel

MOTOR DESIGN DATA

kW: _____ RPM: _____ Frame size: _____ Enclosure: _____
Volts: _____ Hertz: 50 Hz Phase: 3
Efficiency: IE1 (NON-EU only) IE2 IE3

MAXIMUM PUMP OPERATING CONDITIONS

PN 16

16 bars at 121°C (232 psig at 250°F)

PN 25

20 bars at 121°C (300 psig at 250°F)

- Tolerance of ±0.125" (±3 mm) should be used
- See performance curves on page 3
- For exact installation, data please write factory for certified dimensions
- Pump equipped with casing drain plug and ¼" NPT suction and discharge gauge ports

OPTIONAL EQUIPMENT

FLUID TYPE	ALL GLYCOLS > 30% WT CONC		ALL OTHER NON-POTABLE FLUIDS		POTABLE (DRINKING) WATER	
	up to 93°C (200°F)	over 93°C (200°F)	up to 93°C (200°F)	over 93°C (200°F)	up to 93°C (200°F)	over 93°C (200°F)
Temperature	up to 93°C (200°F)	over 93°C (200°F)	up to 93°C (200°F)	over 93°C (200°F)	up to 93°C (200°F)	over 93°C (200°F)
Rotating face	Silicone carbide		Resin bonded carbon	Antimony loaded carbon	Resin bonded carbon	
Seat elastomer	EPDM (L-cup)	EPDM (O-ring)	EPDM (L-cup)	EPDM (O-ring)	EPDM (L-cup)	EPDM (O-ring)
Material code	SCSC L EPSS 2A	SCSC O EPSS 2A	C-SC L EPSS 2A	ACSC O EPSS 2A	C-SC L EPSS 2A	C-SC O EPSS 2A

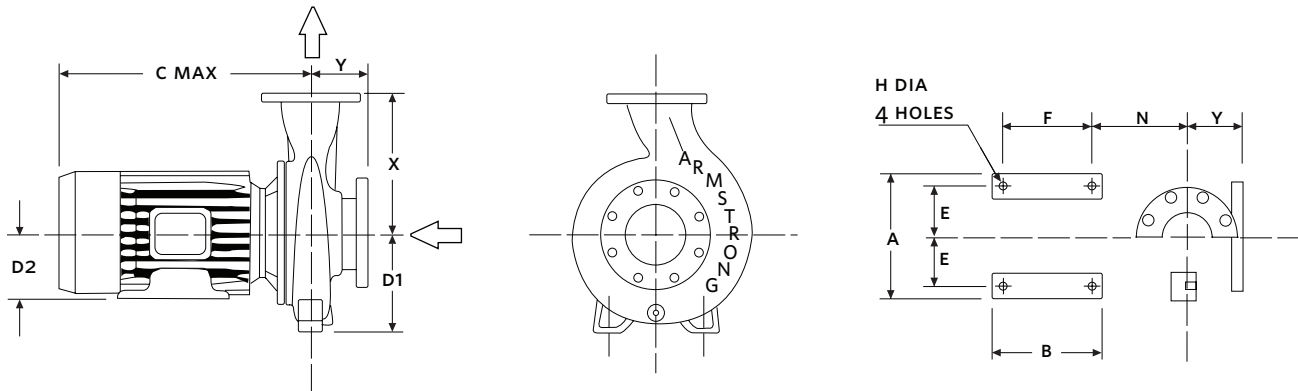
MOTOR	HORSEPOWER @ kW		FULL LOAD CURRENT (A)	STARTING CURRENT (A)		MAX. DIMENSIONS mm (INCHES)							MAX. ASSEMBLY WEIGHT*	
	3000	1500		STAR DELTA (SD)	DIRECT ON LINE (DOL)	A	B	C MAX	D1	D2	E	F		N
100L	—	2.2	4.8	—	26.5	235 (9.25)	220 (8.66)	458 (18.02)	254 (10.00)	254 (10.00)	160 (6.30)	190 (7.48)	206 (8.10)	137.5 (303)
100L	—	3	6.40	—	37.1	235 (9.25)	220 (8.66)	458 (18.02)	254 (10.00)	254 (10.00)	160 (6.30)	190 (7.48)	206 (8.10)	140.0 (309)
112M	—	4	8.41	18.5	58.9	250 (9.84)	220 (8.66)	502 (19.75)	254 (10.00)	254 (10.00)	190 (7.48)	190 (7.48)	213 (8.37)	149.0 (328)
132S	—	5.5	10.90	24.0	81.8	276 (10.86)	255 (10.04)	620 (24.40)	254 (10.00)	254 (10.00)	216 (8.50)	225 (8.86)	260 (10.24)	170.0 (375)
132M	—	7.5	14.9	32.8	111.8	276 (10.86)	255 (10.04)	643 (25.30)	254 (10.00)	254 (10.00)	216 (8.50)	225 (8.86)	298 (11.74)	179.0 (395)
160M	15	—	28.5	74.1	228.0	324 (12.76)	340 (13.39)	658 (25.89)	254 (10.00)	254 (10.00)	254 (10.00)	310 (12.20)	269 (10.58)	219.0 (483)
160L	18.5	—	34.9	94.2	303.6	324 (12.76)	340 (13.39)	728 (28.65)	254 (10.00)	254 (10.00)	254 (10.00)	310 (12.20)	313 (12.31)	231.0 (509)
180M	22	—	40.9	114.5	368.1	379 (14.92)	365 (14.37)	766 (30.15)	254 (10.00)	254 (10.00)	279 (10.98)	335 (13.19)	326 (12.83)	271.0 (597)
200L	30	—	55.9	139.8	436.0	418 (16.46)	425 (16.73)	940 (37.00)	254 (10.00)	254 (10.00)	318 (12.52)	393 (15.47)	360 (14.16)	333.0 (734)
200L	37	—	68.7	171.8	535.9	418 (16.46)	425 (16.73)	940 (37.00)	254 (10.00)	254 (10.00)	318 (12.52)	393 (15.47)	360 (14.16)	362.0 (798)
225M	45	—	81.5	179.3	570.5	436 (17.17)	431 (16.97)	924 (36.37)	254 (10.00)	254 (10.00)	356 (14.02)	395 (15.55)	378 (14.87)	463.0 (1021)

PUMP DIMENSIONS

mm (inches)

G	I	X
102 (4.01)	248 (9.76)	267 (10.50)

*Assembly weight combines pump and motor.



TORONTO

23 BERTRAND AVENUE
TORONTO, ONTARIO
CANADA
M1L 2P3
+1 416 755 2291

BUFFALO

93 EAST AVENUE
NORTH TONAWANDA, NEW YORK
U.S.A.
14120-6594
+1 716 693 8813

BIRMINGHAM

HEYWOOD WHARF, MUCKLOW HILL
HALESOWEN, WEST MIDLANDS
UNITED KINGDOM
B62 8DJ
+44 (0) 8444 145 145

MANCHESTER

WENLOCK WAY
MANCHESTER
UNITED KINGDOM
M12 5JL
+44 (0) 8444 145 145

BANGALORE

#59, FIRST FLOOR, 3RD MAIN
MARGOSA ROAD, MALLESWARAM
BANGALORE, INDIA
560 003
+91 (0) 80 4906 3555

SHANGHAI

NO. 1619 HU HANG ROAD, XI DU TOWNSHIP
FENG XIAN DISTRICT, SHANGHAI
P.R.C.
201401
+86 21 3756 6696

**MAKING
ENERGY
MAKE
SENSE™**