

SERIES 4280 | END SUCTION BASE MOUNTED SPLIT COUPLED | 100-330A (5×4×13) | SUBMITTAL

File No: 42.7925L
Date: MARCH 24, 2016
Supersedes: 42.7925L
Date: MARCH 24, 2014

Job: _____ Representative: _____

Order no.: _____ Date: _____

Engineer: _____ Submitted by: _____ Date: _____

Contractor: _____ Approved by: _____ Date: _____

PUMP DESIGN DATA

No. of pumps: _____ Tag: _____
Capacity: _____ m³/h (USgpm) Head: _____ m (ft)
Liquid: _____ Viscosity: _____
Temperature: _____ °C (°F) Specific gravity: _____
Suction: 125mm (5") Lugged
Discharge: 100mm (4") Flanged

MOTOR DESIGN DATA

kW: _____ RPM: _____ Frame size: _____ Enclosure: _____
Volts: _____ Hertz: 50 Hz Phase: 3
Efficiency: IE1 (NON-EU only) IE2 IE3

MATERIALS OF CONSTRUCTION

| FLANGE RATING | PN 16 | PN 25 |
|---------------|-----------------------------|------------------------------|
| Construction | <input type="checkbox"/> BF | <input type="checkbox"/> DBF |
| Casing | Cast iron | Ductile iron |
| Adapter | Cast iron | Ductile iron |

Impeller: Bronze

Gasket: Confined non-asbestos fiber

Bearing frame: Cast iron

Shaft: Carbon steel

Shaft sleeve: Bronze

MAXIMUM PUMP OPERATING CONDITIONS

PN 16

12 bars at 65°C (175 psig at 150°F)
10 bars at 121°C (140 psig at 250°F)

PN 25

20 bars at 65°C (300 psig at 150°F)
17 bars at 121°C (250 psig at 250°F)

- Tolerance of ±0.125" (±3 mm) should be used
- See performance curves on page 3
- For exact installation, data please write factory for certified dimensions
- Pump equipped with casing drain plug and ¼" NPT suction and discharge gauge ports

MECHANICAL SEAL DATA

Seal type: 2A **Stationary seat:** Silicone carbide
Secondary seal: EPDM **Rotating hardware:** Stainless steel
Spring: Stainless steel

OPTIONAL EQUIPMENT

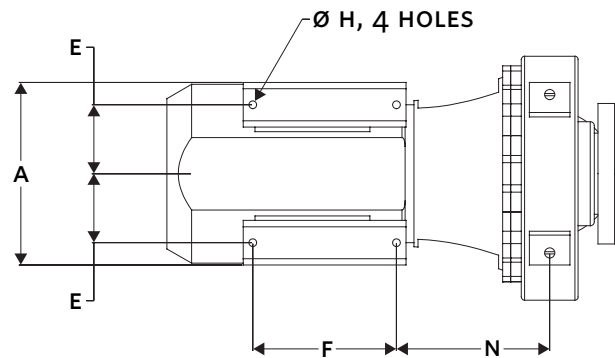
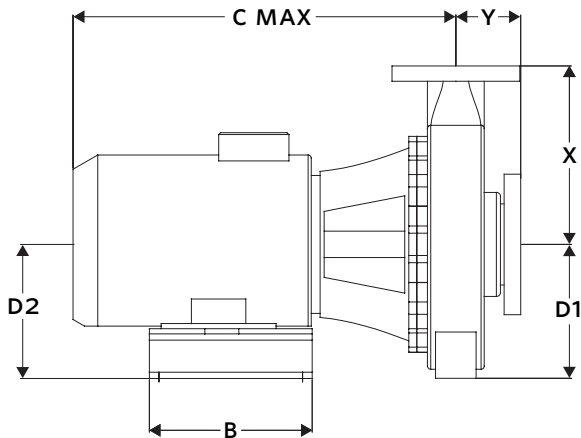
| FLUID TYPE | ALL GLYCOLS > 30% WT CONC | | ALL OTHER NON-POTABLE FLUIDS | | POTABLE (DRINKING) WATER | |
|----------------|---------------------------|-------------------|------------------------------|------------------------|--------------------------|-------------------|
| Temperature | up to 93°C (200°F) | over 93°C (200°F) | up to 93°C (200°F) | over 93°C (200°F) | up to 93°C (200°F) | over 93°C (200°F) |
| Rotating face | Silicone carbide | | Resin bonded carbon | Antimony loaded carbon | Resin bonded carbon | |
| Seat elastomer | EPDM (L-cup) | EPDM (o-ring) | EPDM (L-cup) | EPDM (o-ring) | EPDM (L-cup) | EPDM (o-ring) |
| Material code | SCSc L EPSS 2A | SCSc O EPSS 2A | C-sc L EPSS 2A | ACSc O EPSS 2A | C-sc L EPSS 2A | C-sc O EPSS 2A |

| MOTOR | HORSEPOWER @ kW | | FULL LOAD CURRENT (A) | STARTING CURRENT (A) | | MAX. DIMENSIONS mm (inches) | | | | | | | | ASSEMBLY WEIGHT* |
|-------|-----------------|------|-----------------------|----------------------|----------------------|-----------------------------|----------------|----------------|----------------|----------------|---------------|----------------|----------------|-------------------|
| | 3000 | 1500 | | STAR DELTA (SD) | DIRECT ON LINE (DOL) | A | B | C MAX | D1 | D2 | E | F | N | TEFC kgs (lbs) |
| 160M | — | 11 | 21.9 | 50.4 | 168.6 | 324 (12.76) | 340 (13.39) | 729 (28.70) | 279 (11.00) | 280 (11.02) | 127 (5.00) | 310 (12.20) | 274 (10.79) | 227.0 (500) |
| 160L | — | 15 | 29.60 | 68.1 | 227.9 | 324 (12.76) | 340 (13.39) | 773 (30.43) | 279 (11.00) | 280 (11.02) | 127 (5.00) | 310 (12.20) | 318 (12.52) | 247.0 (545) |
| 180M | — | 18.5 | 36.30 | 94.4 | 304.9 | 369 (14.53) | 365 (14.37) | 787 (30.98) | 279 (11.00) | 280 (11.02) | 139 (5.49) | 335 (13.19) | 293 (11.53) | 286.0 (631) |
| 180L | — | 22 | 41.8 | 91.96 | 313.5 | 369 (14.53) | 365 (14.37) | 825 (32.48) | 279 (11.00) | 280 (11.02) | 139 (5.49) | 335 (13.19) | 331 (13.03) | 308.0 (679) |
| 200L | — | 30 | 58 | 139.2 | 435 | 418 (16.46) | 425 (16.73) | 910 (35.82) | 279 (11.00) | 280 (11.02) | 159 (6.26) | 389 (15.31) | 364 (14.33) | 344.0 (758) |

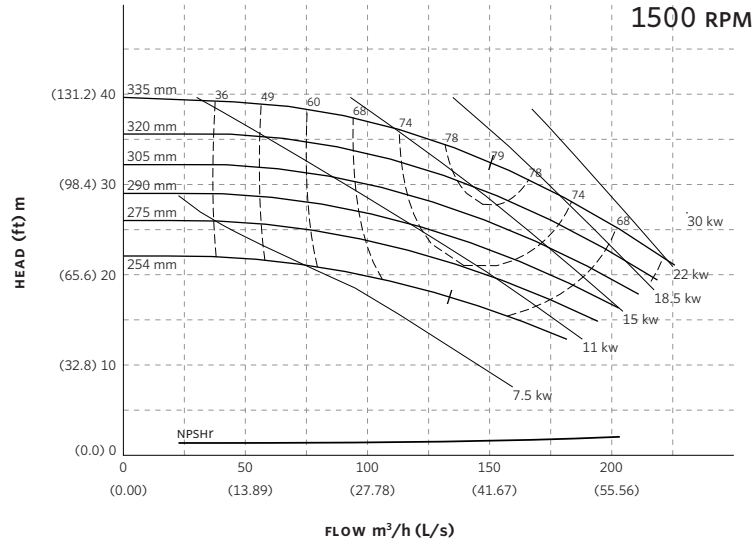
*Assembly weight combines pump and motor.

PUMP DIMENSIONS
mm (inches)

| X | Y |
|-------------|------------|
| 343 (13.50) | 102 (4.00) |



SERIES 4280 PERFORMANCE CURVES



Curve number
PT98-3-0-1500

Series
4030
4280

Size
100-330

RPM
1500

BHP based on shown
Fluid's sp. gr.

Availability
4030 all ratings
4280 all ratings

Performance
guaranteed only
at operating point
indicated.

Curve shown for
clear, cold water
- SP. GR. 1.0000

Performance curves are for reference only.
Confirm current performance data with Armstrong ACE Online selection software.

TORONTO

23 BERTRAND AVENUE
TORONTO, ONTARIO
CANADA
M1L 2P3
+1 416 755 2291

BUFFALO

93 EAST AVENUE
NORTH TONAWANDA, NEW YORK
U.S.A.
14120-6594
+1 716 693 8813

BIRMINGHAM

HEYWOOD WHARF, MUCKLOW HILL
HALESOWEN, WEST MIDLANDS
UNITED KINGDOM
B62 8DJ
+44 (0) 8444 145 145

MANCHESTER

WOLVERTON STREET
MANCHESTER
UNITED KINGDOM
M11 2ET
+44 (0) 8444 145 145

BANGALORE

#59, FIRST FLOOR, 3RD MAIN
MARGOSA ROAD, MALLESWARAM
BANGALORE, INDIA
560 003
+91 (0) 80 4906 3555

SHANGHAI

NO. 1619 HU HANG ROAD, XI DU TOWNSHIP
FENG XIAN DISTRICT, SHANGHAI
P.R.C.
201401
+86 21 3756 6696

SÃO PAULO

RUA JOSÉ SEMIÃO RODRIGUES AGOSTINHO,
1370 GALPÃO 6
EMBU DAS ARTES
SAO PAULO, BRAZIL
+55 11 4781 5500

ARMSTRONG FLUID TECHNOLOGY
ESTABLISHED 1934

ARMSTRONGFLUIDTECHNOLOGY.COM

**MAKING
ENERGY
MAKE
SENSE™**