

SERIES 4300 | VERTICAL IN-LINE 2x2x8 | SUBMITTAL

File No: 43-511
Date: NOV. 26, 2014
Supersedes: 43-511
Date: APRIL 14, 2014

Job: _____ Representative: _____
 _____ Ordered by: _____ Date: _____
 Engineer: _____ Submitted by: _____ Date: _____
 Contractor: _____ Approved by: _____ Date: _____

PUMP DESIGN DATA

No. of pumps: _____ Tag: _____
 Capacity: _____ USgpm (L/s) Head: _____ ft (m)
 Liquid: _____ Viscosity: _____
 Temperature: _____ °F (°C) Specific gravity: _____
 Suction: 2" (50 MM) Discharge: 2" (50 MM)

MAXIMUM PUMP OPERATING CONDITIONS

ANSI 125

175 psig at 140°F (12 bars at 60°C)
 100 psig at 300°F (7 bars at 149°C)

ANSI 250

375 psig at 100°F (26 bars at 38°C)
 275 psig at 300°F (19 bars at 149°C)

- See file no. 43.50 for maximum seal operating conditions.
- Coupling guard (not shown) is supplied.
- Tolerance of ±0.125" (±3 mm) should be used
- For exact installation data please write factory for certified dimensions.
- See performance curves on page 3
- Pump equipped with casing drain plug and ¼" NPT suction and discharge gauge ports.

MATERIALS OF CONSTRUCTION

ANSI FLANGE RATING	ANSI 125			ANSI 250	
Construction	<input type="checkbox"/> BF	<input type="checkbox"/> AI	<input type="checkbox"/> AB	<input type="checkbox"/> DBF	<input type="checkbox"/> DI
Casing	Cast iron	Cast iron	Bronze	Ductile iron	Ductile iron
Impeller	Bronze	Cast iron	Bronze	Bronze	Cast iron

Flush line: Braided stainless steel

Pump shaft: 416 stainless steel

Coupling: High tensile aluminum

Gasket: Confined fiber

MOTOR DESIGN DATA

HP: _____ RPM: _____
 Frame size: _____ Enclosure: _____
 Volts: _____ Hertz: 60 Hz
 Efficiency: NEMA premium 12.12 Other: _____ %
 Flange size: _____ Phase: _____

MECHANICAL SEAL DESIGN DATA

See file number 43.50 for standard mechanical seal details as indicated below

ARMSTRONG SEAL REFERENCE NUMBER:

c1 (a) Others: _____

SEAL DATA OPTIONS

OPTIONAL EQUIPMENT

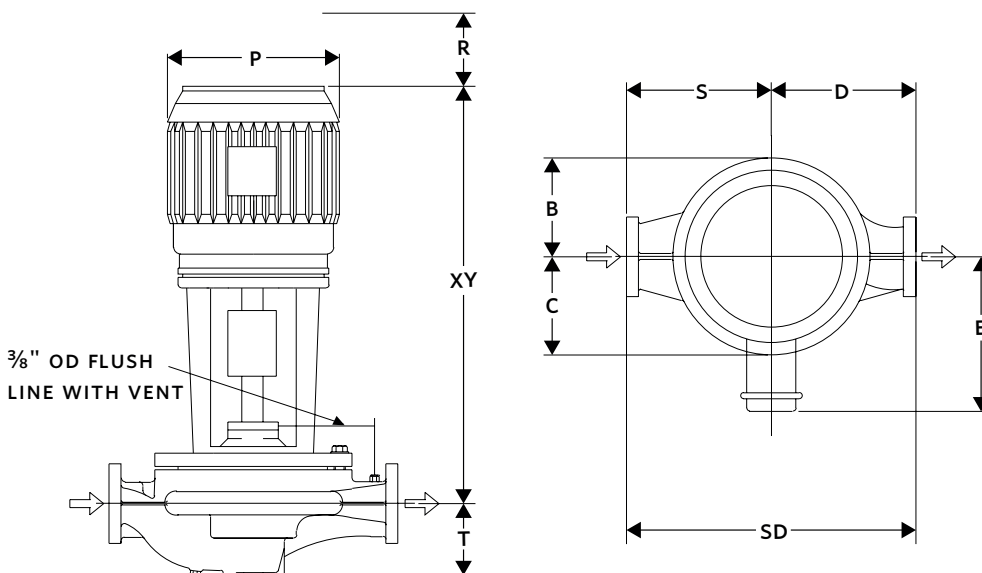
See file no. 43.50 for environmental accessories

MOTOR FRAME	HORSEPOWER @ RPM						DIMENSIONS INCHES (mm)				WEIGHT*	
	ODP			TEFC			ODP/ TEFC				lbs (kgs)	
	3600	1800	1200	3600	1800	1200	E	P	R	XY	ODP	TEFC
143TC	—	1	—	—	1	—	6.09 (155)	8.63 (219)	3.00 (80)	22.03 (560)	197 (89.4)	204 (92.5)
145TC	—	1.5 & 2	1	—	1.5 & 2	1	6.09 (155)	8.63 (219)	3.00 (80)	22.03 (560)	198 (89.8)	206 (93.4)
182TC	—	3	1.5	—	3	1.5	7.50 (191)	10.38 (264)	4.00 (90)	26.54 (674)	218 (98.9)	249 (112.9)
184TC	7.5	5	—	—	5	—	7.50 (191)	10.38 (264)	4.00 (90)	26.54 (674)	219 (99.3)	284 (128.8)
213TC	10	—	—	7.5	—	—	8.25 (210)	12.13 (308)	4.00 (100)	29.16 (741)	285 (129.3)	323 (146.5)
215TC	15	—	—	10	—	—	8.25 (210)	12.13 (308)	4.00 (100)	29.16 (741)	290 (131.5)	430 (195.0)
254TC	20	—	—	15	—	—	9.94 (252)	13.38 (340)	5.00 (110)	34.10 (866)	365 (165.6)	463 (210.0)
256TC	25	—	—	20	—	—	9.94 (252)	13.38 (340)	5.00 (110)	34.10 (866)	420 (190.5)	515 (233.6)
284TSC	30	—	—	25	—	—	12.00 (305)	15.31 (389)	4.00 (100)	43.36 (1101)	523 (237.2)	—
286TSC	—	—	—	30	—	—	12.00 (305)	15.31 (389)	4.00 (100)	43.36 (1101)	—	578 (262.2)

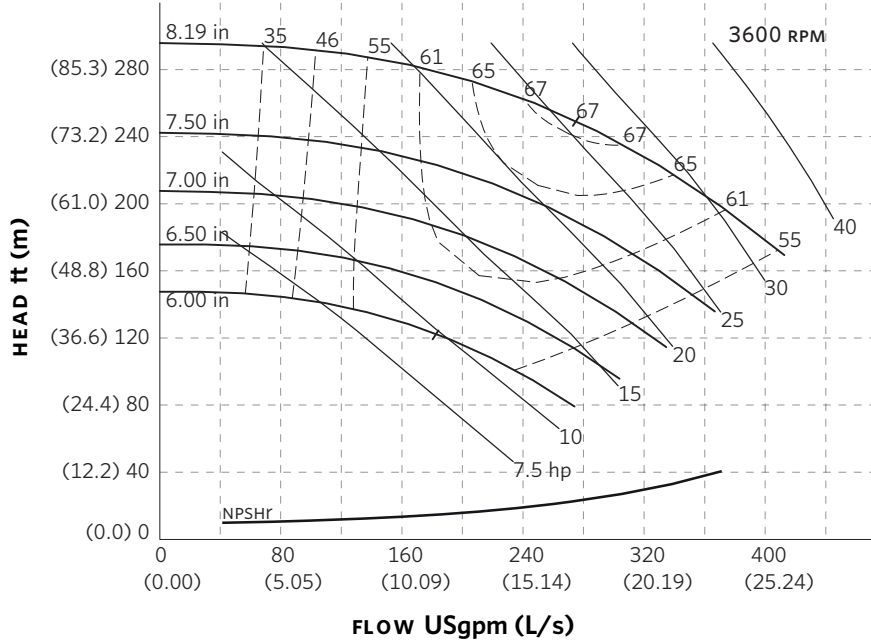
*Assembly weight combines pump and motor.

PUMP DIMENSIONS
inches (mm)

B	C	D	S	SD	T
5.80 (147)	5.80 (147)	8.50 (216)	9.50 (241)	18.00 (457)	5.20 (132)



SERIES 4300 PERFORMANCE CURVES



Curve number
PT40-2-0-3600

Series
4300
4380

Size
2 x 2 x 8

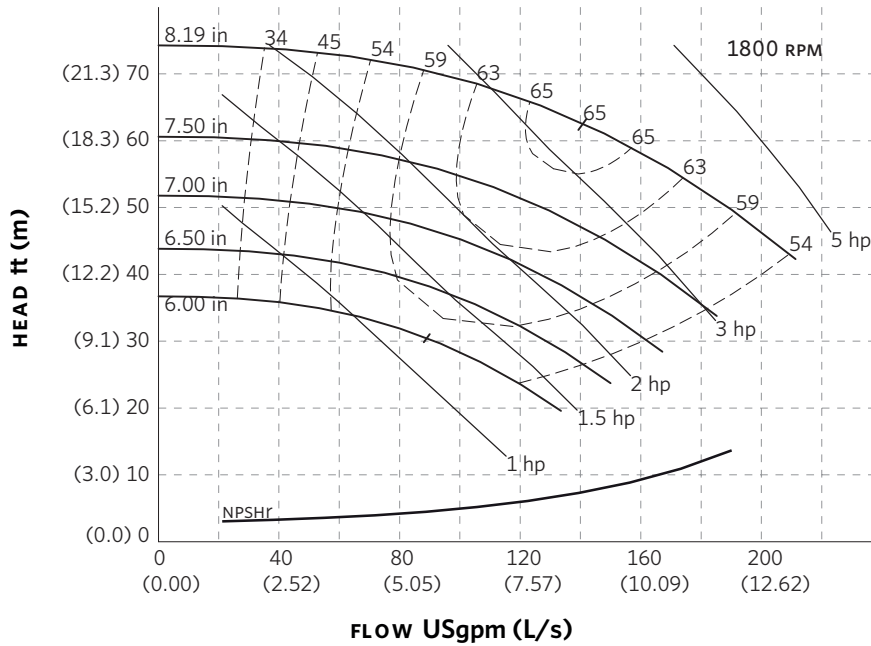
RPM
3600

BHP based on shown
Fluid's sp. gr.

Availability
4300 all ratings
4380 all ratings

Performance
guaranteed only
at operating point
indicated

Curve shown for
clear, cold water
- SP. GR. 1.000



Curve number
PT39-2-0-1800

Series
4300
4380

Size
2 x 2 x 8

RPM
1800

BHP based on shown
Fluid's sp. gr.

Availability
4300 all ratings
4380 all ratings

Performance
guaranteed only
at operating point
indicated

Curve shown for
clear, cold water
- SP. GR. 1.000

Performance curves are for reference only.

Confirm current performance data with Armstrong ACE Online selection software.

TORONTO

23 BERTRAND AVENUE
TORONTO, ONTARIO
CANADA
M1L 2P3
+1 416 755 2291

BUFFALO

93 EAST AVENUE
NORTH TONAWANDA, NEW YORK
U.S.A.
14120-6594
+1 716 693 8813

BIRMINGHAM

HEYWOOD WHARF, MUCKLOW HILL
HALESOWEN, WEST MIDLANDS
UNITED KINGDOM
B62 8DJ
+44 (0) 8444 145 145

MANCHESTER

WOLVERTON STREET
MANCHESTER
UNITED KINGDOM
M11 2ET
+44 (0) 8444 145 145

BANGALORE

#59, FIRST FLOOR, 3RD MAIN
MARGOSA ROAD, MALLESWARAM
BANGALORE, INDIA
560 003
+91 (0) 80 4906 3555

SHANGHAI

NO. 1619 HU HANG ROAD, XI DU TOWNSHIP
FENG XIAN DISTRICT, SHANGHAI
P.R.C.
201401
+86 21 3756 6696

**MAKING
ENERGY
MAKE
SENSE™**