

Series 4300 Vertical In-Line 50Hz (IEC / DIN)

150-330A (6x6x13)

SUBMITTAL

| | |
|-------------------|---------------------------------|
| JOB: _____ | REPRESENTATIVE: _____ |
| _____ | _____ |
| ENGINEER: _____ | ORDER NO: _____ DATE: _____ |
| CONTRACTOR: _____ | SUBMITTED BY: _____ DATE: _____ |
| _____ | APPROVED BY: _____ DATE: _____ |

| PUMP DESIGN DATA | | | |
|------------------|-------------------------|-------------------|--------|
| No. of Pumps: | | | |
| Tag: | | | |
| Capacity: | m ³ /h (l/s) | Head: | m (ft) |
| Liquid: | Viscosity: | | |
| Temperature: | °C (°F) | Specific Gravity: | |

| MOTOR DESIGN DATA | | | |
|-------------------|---|------------------------|--------|
| kW: | | | RPM: |
| Frame Size: | Enclosure: | | |
| Volts: | Hertz: 50 Hz | | Phase: |
| Efficiency: | <input type="checkbox"/> IE 1 (NON EU ONLY) <input type="checkbox"/> IE 2 <input type="checkbox"/> IE 3 | | |
| Flange Size: | Suction: 150 mm (6") | Discharge: 150 mm (6") | |

| MATERIALS OF CONSTRUCTIONS | | | | |
|----------------------------|-----------------------------|-----------------------------|------------------------------|-----------------------------|
| ANSI Flange Rating | PN 16 | | PN 25 | |
| Construction | <input type="checkbox"/> BF | <input type="checkbox"/> AI | <input type="checkbox"/> DBF | <input type="checkbox"/> DI |
| Casing | Cast iron | Cast iron | Ductile iron | Ductile iron |
| Impeller | Bronze | Cast iron | Bronze | Cast iron |
| Flush line | Braided Stainless Steel | | | |
| Pump shaft | 416 Stainless Steel | | | |
| Coupling | High Tensile Aluminum | | | |
| Gasket | Confined Fiber | | | |

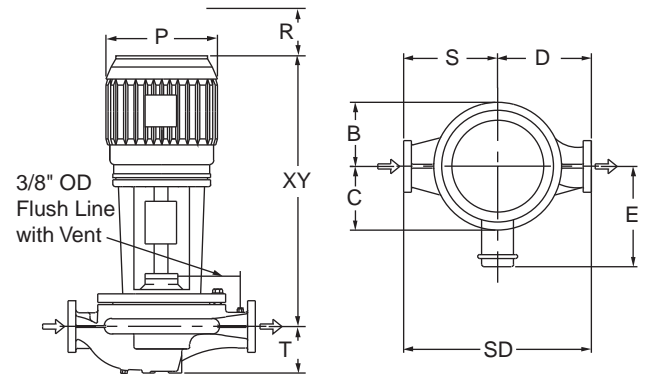
| MECHANICAL SEAL DESIGN DATA |
|--|
| See File No. 43.50 for standard mechanical seal details as indicated below |
| Armstrong Seal Reference Number |
| <input type="checkbox"/> C1 (a) Other: _____ |

| SEAL DATA OPTIONS |
|-------------------|
| |

| OPTIONAL EQUIPMENT |
|--|
| |
| SEE FILE NO. 43.50 FOR ENVIRONMENTAL ACCESSORIES |

| MAXIMUM PUMP OPERATING CONDITIONS | |
|--|------------------------------------|
| PN 16 | PN 25 |
| 12 BAR at 60°C (175 PSI at 140°F) | 25 BAR at 38°C (363 PSI at 100°F) |
| 7 BAR at 149°C (100 PSI at 300°F) | 19 BAR at 149°C (275 PSI at 300°F) |
| SEE FILE NO. 43.50 FOR MAXIMUM SEAL OPERATING CONDITIONS | |

- Coupling Guard (Not Shown) is supplied.
- Tolerance of ±3 mm (+0.125") should be used.
- For exact installation data please write factory for certified Dimensions.
- See Performance curves on page 2.
- Pump equipped with casing drain plug and 1/4" NPT Suction and Discharge gauge ports

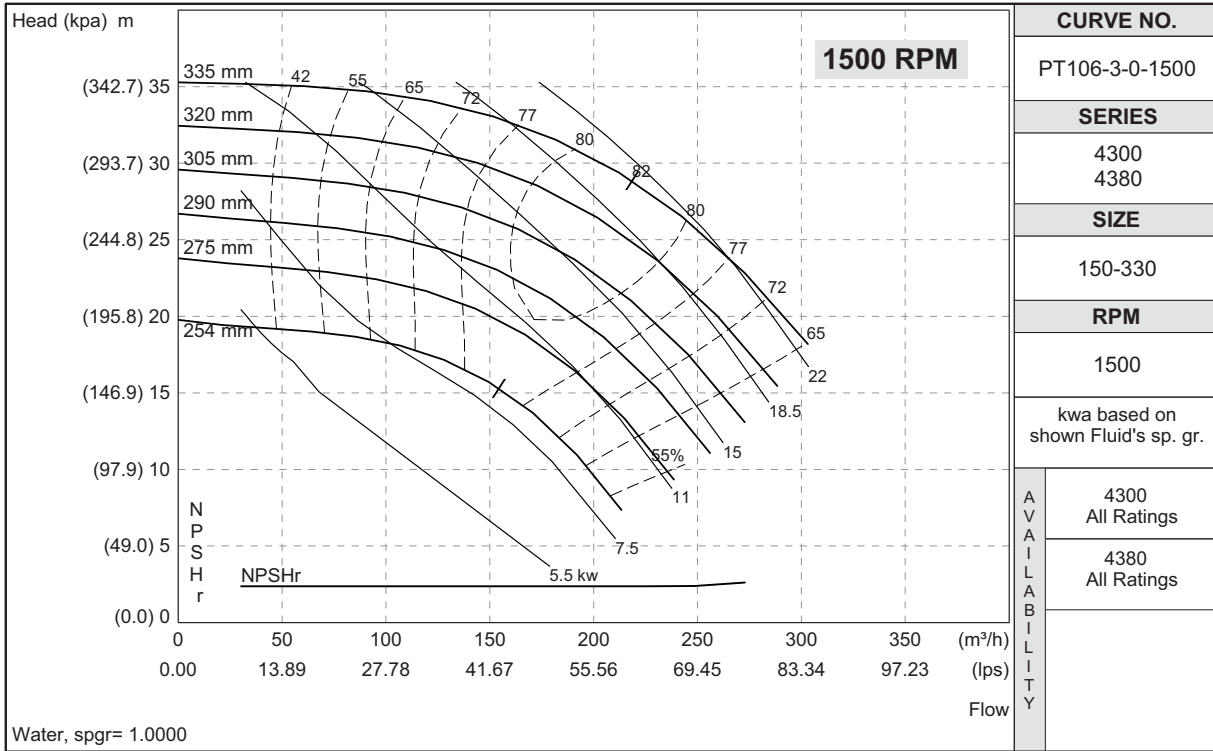


| PUMP DIMENSIONS mm (in) | | | | | |
|-------------------------|------------|-------------|-------------|-------------|-------------|
| B | C | D | S | SD | T |
| 278 (10.94) | 227 (8.95) | 432 (17.00) | 483 (19.00) | 914 (36.00) | 260 (10.25) |

| MOTOR kW | | FRAME | FULL LOAD CURRENT (A) | STARTING CURRENT (A) | | DIMENSIONS mm (in) | | | | ASSEMBLY WEIGHT |
|----------|---------|-------|-----------------------|----------------------|----------------------|--------------------|-------------|-------------|--------------|-----------------|
| 3000RPM | 1500RPM | | | STAR DELTA (SD) | DIRECT ON LINE (DOL) | E | P | R | XY | kg (lb) |
| - - - | 7.5 | 132M | 14.9 | 32.8 | 111.8 | 175 (6.89) | 280 (11.02) | 250 (9.84) | 790 (31.10) | 292.0 (644) |
| - - - | 11 | 160M | 21.9 | 50.4 | 168.6 | 208 (8.19) | 315 (12.40) | 250 (9.84) | 838 (32.99) | 393.0 (866) |
| - - - | 15 | 160L | 29.6 | 68.1 | 227.9 | 208 (8.19) | 315 (12.40) | 250 (9.84) | 908 (35.75) | 433.0 (955) |
| - - - | 18.5 | 180M | 36.3 | 94.4 | 304.9 | 248 (9.76) | 316 (12.44) | 325 (12.80) | 908 (35.75) | 458.0 (1010) |
| - - - | 22 | 180L | 41.8 | 92.0 | 313.5 | 255 (10.04) | 350 (13.78) | 325 (12.80) | 1006 (39.61) | 489.0 (1078) |

PERFORMANCE CURVES

Performance Guaranteed Only At Operating Point Indicated
Curve Shown for Clear, Cold water - SP. GR. 1.0



ARMSTRONG INTEGRATED LIMITED
Wenlock Way
Manchester
United Kingdom, M12 5JL
T +44 (0) 8444 145 145
F +44 (0) 8444 145 146

S. A. ARMSTRONG LIMITED
23 Bertrand Avenue
Toronto, Ontario
Canada, M1L 2P3
T 416 755 2291
F 416 759 9101



© S.A. Armstrong Limited 2011