

Series 4300 Vertical In-Line 50Hz (IEC / DIN)

400-380H (16x16x15H)

SUBMITTAL

| | |
|-------------------|---------------------------------|
| JOB: _____ | REPRESENTATIVE: _____ |
| _____ | _____ |
| ENGINEER: _____ | ORDER NO: _____ DATE: _____ |
| CONTRACTOR: _____ | SUBMITTED BY: _____ DATE: _____ |
| _____ | APPROVED BY: _____ DATE: _____ |

| PUMP DESIGN DATA | | | |
|------------------|-------------------------|-------------------|--------|
| No. of Pumps: | | | |
| Tag: | | | |
| Capacity: | m ³ /h (l/s) | Head: | m (ft) |
| Liquid: | Viscosity: | | |
| Temperature: | °C (°F) | Specific Gravity: | |

| MOTOR DESIGN DATA | | | |
|-------------------|---|-------------------------|--|
| kW: | RPM: | | |
| Frame Size: | Enclosure: | | |
| Volts: | Hertz: 50 Hz | Phase: | |
| Efficiency: | <input type="checkbox"/> IE 1 (NON EU ONLY) <input type="checkbox"/> IE 2 <input type="checkbox"/> IE 3 | | |
| Flange Size: | Suction: 400 mm (16") | Discharge: 400 mm (16") | |

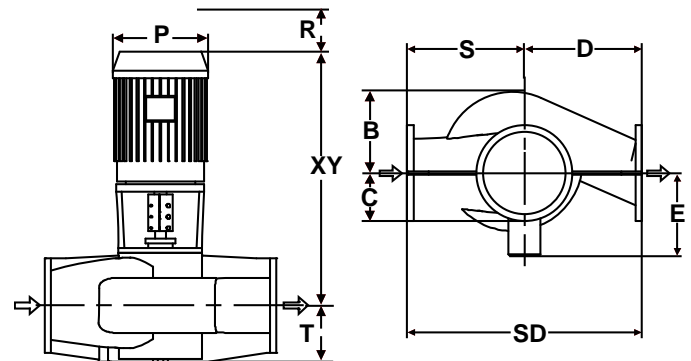
| MATERIALS OF CONSTRUCTIONS | | | | |
|----------------------------|-----------------------------|-----------------------------|------------------------------|-----------------------------|
| ANSI Flange Rating | PN 16 | | PN 25 | |
| Construction | <input type="checkbox"/> BF | <input type="checkbox"/> AI | <input type="checkbox"/> DBF | <input type="checkbox"/> DI |
| Casing | Cast iron | Cast iron | Ductile iron | Ductile iron |
| Impeller | Bronze | Cast iron | Bronze | Cast iron |
| Flush line | Braided Stainless Steel | | | |
| Pump shaft | 416 Stainless Steel | | | |
| Coupling | High Tensile Aluminum | | | |
| Gasket | Confined Fiber | | | |

| MECHANICAL SEAL DESIGN DATA |
|--|
| See File No. 43.50 for standard mechanical seal details as indicated below |
| Armstrong Seal Reference Number |
| <input type="checkbox"/> C1 (a) Other: _____ |

| SEAL DATA OPTIONS |
|-------------------|
| |

| OPTIONAL EQUIPMENT |
|--|
| |
| SEE FILE NO. 43.50 FOR ENVIRONMENTAL ACCESSORIES |

| MAXIMUM PUMP OPERATING CONDITIONS | |
|--|------------------------------------|
| PN 16 | PN 25 |
| 12 BAR at 60°C (175 PSI at 140°F) | 25 BAR at 38°C (363 PSI at 100°F) |
| 7 BAR at 149°C (100 PSI at 300°F) | 19 BAR at 149°C (275 PSI at 300°F) |
| SEE FILE NO. 43.50 FOR MAXIMUM SEAL OPERATING CONDITIONS | |



| PUMP DIMENSIONS mm (in) | | | | | |
|-------------------------|-------------|-------------|-------------|--------------|-------------|
| B | C | D | S | SD | T |
| 515 (20.27) | 388 (15.27) | 826 (32.50) | 826 (32.50) | 1651 (65.00) | 452 (17.78) |

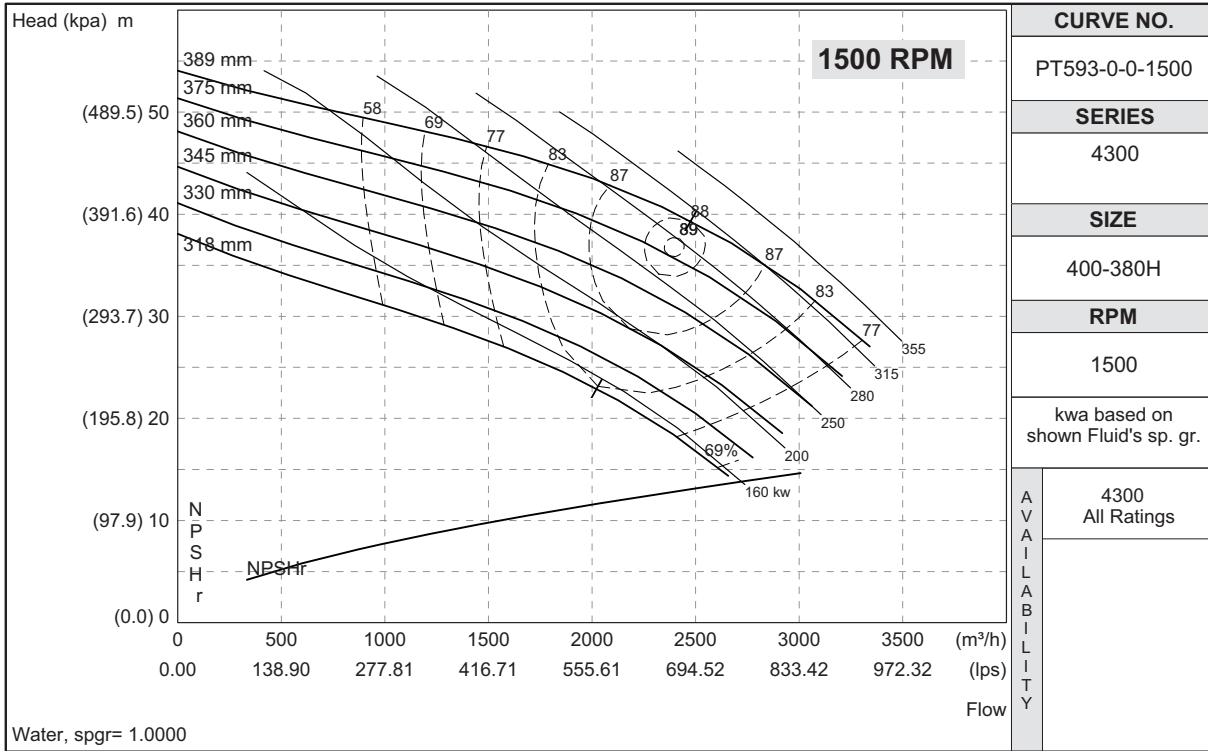
- Coupling Guard (Not Shown) is supplied.
- Tolerance of ±3 mm (+0.125") should be used.
- For exact installation data please write factory for certified Dimensions.
- See Performance curves on page 2.
- Pump equipped with casing drain plug and 1/4" NPT Suction and Discharge gauge ports

| MOTOR kW | | FRAME | FULL LOAD CURRENT (A) | STARTING CURRENT (A) | | DIMENSIONS mm (in) | | | | ASSEMBLY WEIGHT kg (lb) |
|----------|---------|-------|-----------------------|----------------------|----------------------|--------------------|-------------|-------------|--------------|----------------------------|
| 3000RPM | 1500RPM | | | STAR DELTA (SD) | DIRECT ON LINE (DOL) | E | P | R | XY | |
| - - - | 160 | 315M | 290.0 | 725.0 | 2262.0 | 530 (20.87) | 586 (23.07) | 375 (14.76) | 1750 (68.90) | 2470.0 (5445) |
| - - - | 200 | 315L | 362.0 | 868.8 | 2751.2 | 657 (25.87) | 586 (23.07) | 375 (14.76) | 1876 (73.86) | 2600.0 (5732) |
| - - - | 250 | 355M | 445.0 | 979.0 | 3204.0 | 609 (23.98) | 736 (28.98) | 375 (14.76) | 1975 (77.76) | 2885.0 (6360) |
| - - - | 315 | 355M | 580.0 | 1276.0 | 4176.0 | 609 (23.98) | 736 (28.98) | 375 (14.76) | 1975 (77.76) | 3092.0 (6817) |
| - - - | 355 | 355M | 648.0 | 1425.6 | 4665.6 | 609 (23.98) | 736 (28.98) | 375 (14.76) | 1975 (77.76) | 3235.0 (7132) |



PERFORMANCE CURVES

Performance Guaranteed Only At Operating Point Indicated
 Curve Shown for Clear, Cold water - SP. GR. 1.0



ARMSTRONG INTEGRATED LIMITED
 Wenlock Way
 Manchester
 United Kingdom, M12 5JL
T +44 (0) 8444 145 145
F +44 (0) 8444 145 146

S. A. ARMSTRONG LIMITED
 23 Bertrand Avenue
 Toronto, Ontario
 Canada, M1L 2P3
T 416 755 2291
F 416 759 9101



© S.A. Armstrong Limited 2011