

Series 4300 Vertical In-Line 5 x 5 x 8 SUBMITTAL

JOB: _____	REPRESENTATIVE: _____
ENGINEER: _____	ORDER NO: _____ DATE: _____
CONTRACTOR: _____	SUBMITTED BY: _____ DATE: _____
	APPROVED BY: _____ DATE: _____

PUMP DESIGN DATA			
NO. OF PUMPS:			
TAG:			
CAPACITY:	m ³ /h (L/s)	HEAD:	m (ft)
LIQUID:		VISCOSITY:	
TEMPERATURE:		°C (°F)	SPECIFIC GRAVITY:

MOTOR DESIGN DATA			
HP:		RPM:	
FRAME SIZE:	ENCLOSURE:		
VOLTS:	HERTZ: 50 Hz	PHASE:	
EFFICIENCY:	<input type="checkbox"/> ENERGY EFFICIENT 12.11	<input type="checkbox"/> NEMA PREMIUM 12.12	
FLANGE SIZE:	SUCTION: 125 mm (5")	DISCHARGE: 125 mm (5")	

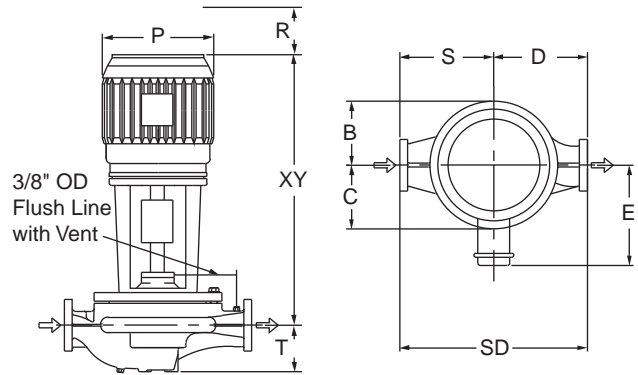
MATERIALS OF CONSTRUCTION					
ANSI FLANGE RATING	ANSI 125			ANSI 250	
CONSTRUCTION	<input type="checkbox"/> BF	<input type="checkbox"/> AI	<input type="checkbox"/> AB	<input type="checkbox"/> DBF	<input type="checkbox"/> DI
CASING	CAST IRON	CAST IRON	BRONZE	DUCTILE IRON	DUCTILE IRON
IMPELLER	BRONZE	CAST IRON	BRONZE	BRONZE	CAST IRON
FLUSH LINE	BRAIDED STAINLESS STEEL				
PUMP SHAFT	416 STAINLESS STEEL				
COUPLING	HIGH TENSILE ALUMINUM				
GASKET	CONFINED FIBER				

MECHANICAL SEAL DESIGN DATA
See File No. 43.50 for standard mechanical seal details as indicated below
Armstrong Seal Reference Number
<input type="checkbox"/> C1 (a) Other _____

SEAL DATA OPTIONS

OPTIONAL EQUIPMENT
SEE FILE NO. 43.50 FOR ENVIRONMENTAL ACCESSORIES

MAXIMUM PUMP OPERATING CONDITIONS	
ANSI 125	ANSI 250
12 bar at 60°C (175 psi at 140°F)	26 bar at 38°C (375 psi at 100°F)
7 bar at 149°C (100 psi at 300°F)	19 bar at 149°C (275 psi at 300°F)
SEE FILE NO. 43.50 FOR MAXIMUM SEAL OPERATING CONDITIONS	



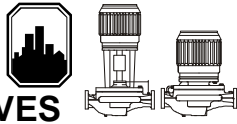
PUMP DIMENSIONS mm (inches)						
B	C	D	S	SD	T	
184 (7.25)	159 (6.25)	305 (12.00)	330 (13.00)	635 (25.00)	202 (7.94)	

- COUPLING GUARD (NOT SHOWN) IS SUPPLIED.
- TOLERANCE OF ±3 mm (±0.125") SHOULD BE USED.
- FOR EXACT INSTALLATION DATA PLEASE WRITE FACTORY FOR CERTIFIED DIMENSIONS.
- SEE PERFORMANCE CURVES ON PAGE 2.

MOTOR HORSEPOWER				MAX. DIMENSIONS mm (inches)					ASSEMBLY WEIGHT*	
ODP		TEFC		Frame	ODP / TEFC				kg (lbs.)	
3000rpm	1500rpm	3000rp	1500rpm		E	P	R	XY	ODP	TEFC
---	1.5 & 2	---	1.5 & 2	145TC	155 (6.09)	219 (8.63)	80 (3.00)	558 (21.95)	143.0 (315)	143.0 (315)
---	3	---	3	182TC	191 (7.50)	264 (10.38)	90 (4.00)	672 (26.46)	149.8 (330)	154.4 (340)
---	5	---	5	184TC	191 (7.50)	264 (10.38)	90 (4.00)	672 (26.46)	154.4 (340)	158.9 (350)
10	---	---	---	213TC	210 (8.25)	308 (12.13)	100 (4.00)	994 (39.14)	167.8 (370)	---
15	---	10	---	215TC	210 (8.25)	308 (12.13)	100 (4.00)	994 (39.14)	172.5 (380)	181.4 (400)
20	---	15	---	254TC	252 (9.94)	340 (13.38)	110 (5.00)	864 (34.02)	195.2 (430)	213.4 (470)
25	---	20	---	256TC	252 (9.94)	340 (13.38)	110 (5.00)	864 (34.02)	199.8 (440)	231.5 (510)
30	---	25	---	284TSC	305 (12.00)	389 (15.31)	100 (4.00)	1099 (43.28)	231.5 (510)	249.7 (550)
40	---	30	---	286TSC	305 (12.00)	389 (15.31)	100 (4.00)	1099 (43.28)	240.6 (530)	258.8 (570)
---	---	40	---	324TSC	353 (13.91)	432 (17.00)	110 (4.00)	1123 (44.21)	---	390.4 (860)

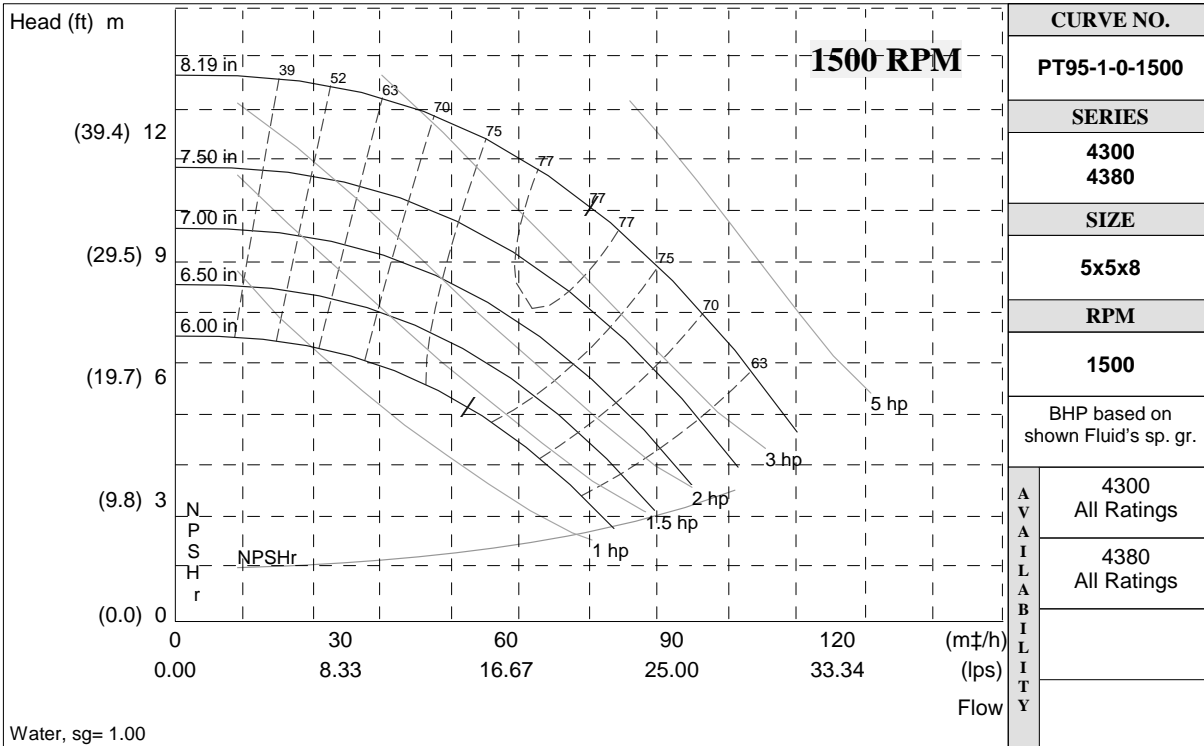
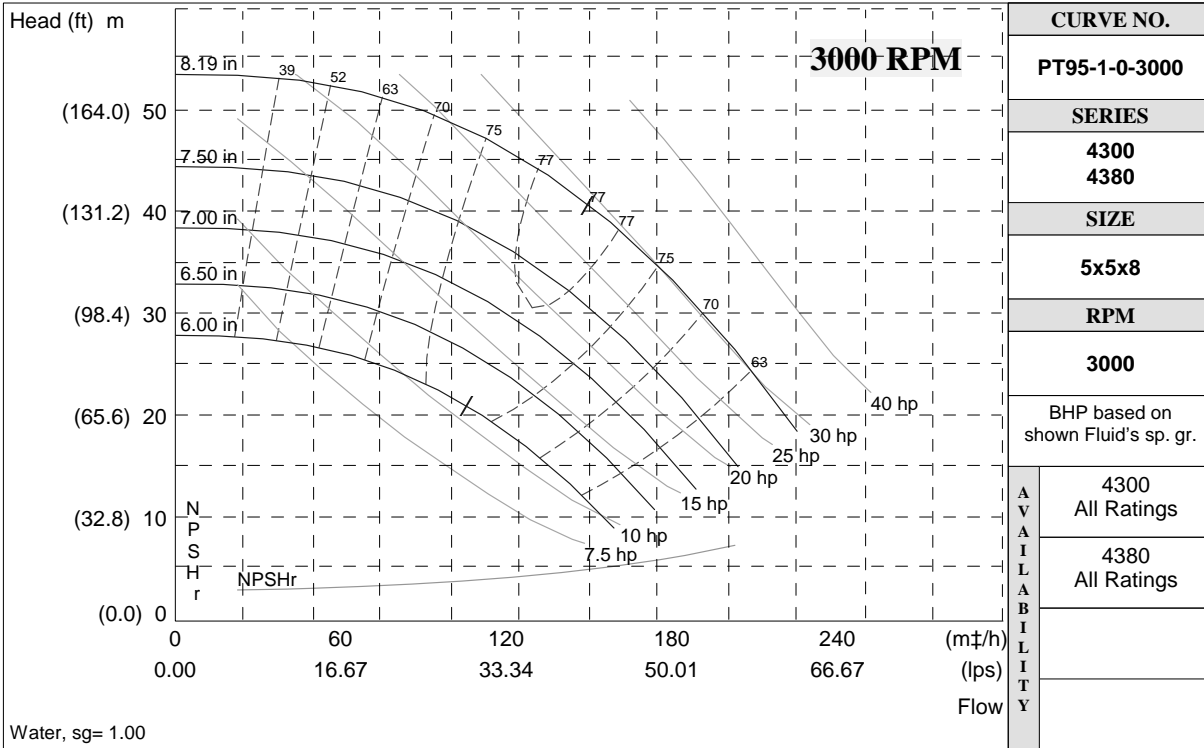
*Assembly weight combines pump and motor.

ARMSTRONG



PERFORMANCE CURVES

Performance Guaranteed Only At Operating Point Indicated
 CURVE SHOWN FOR CLEAR, COLD WATER - SP. GR. 1.0



S. A. Armstrong Limited
 23 Bertrand Avenue
 Toronto, Ontario
 Canada, M1L 2P3
 T: (416) 755-2291
 F (Main): (416) 759-9101

Armstrong Pumps Inc.
 93 East Avenue
 North Tonawanda, New York
 U.S.A. 14120-6594
 T: (716) 693-8813
 F: (716) 693-8970

Armstrong Integrated Limited
 Wenlock Way
 Manchester
 United Kingdom, M12 5JL
 T: +44 (0) 8444 145 145
 F: +44 (0) 8444 145 146



© S.A. Armstrong Limited 2010

For Armstrong locations worldwide, please visit www.armstrongintegrated.com