

MECHANICAL SEAL FILTER | SUBMITTAL

File No: 43.49
 Date: AUGUST 16, 2012
 Supersedes: 43.49
 Date: SEPTEMBER 15, 2011

Job: _____ Representative: _____
 _____ Ordered by: _____ Date: _____
 Engineer: _____ Submitted by: _____ Date: _____
 Contractor: _____ Approved by: _____ Date: _____

HOUSING SPECIFICATION

PUMP CONSTRUCTION	BF/DBF/AB	AI/DI
Material	Brass head, 304L ss body, with brass petcock drain	All 316L ss with stainless steel drain plug

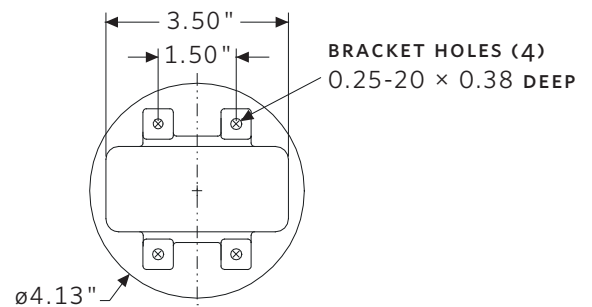
Connection size: 1/2" NPT

o-ring: Viton

Maximum cartridge diameter: 2.75" OD

Drain: 1/8" NPT

Maximum working pressure: 300 psig (at 200°F) - 20 bar (at 93°C)



CARTRIDGE SPECIFICATION

Type: Wound filter cartridges

Length: 4.88"

Media: Polyester

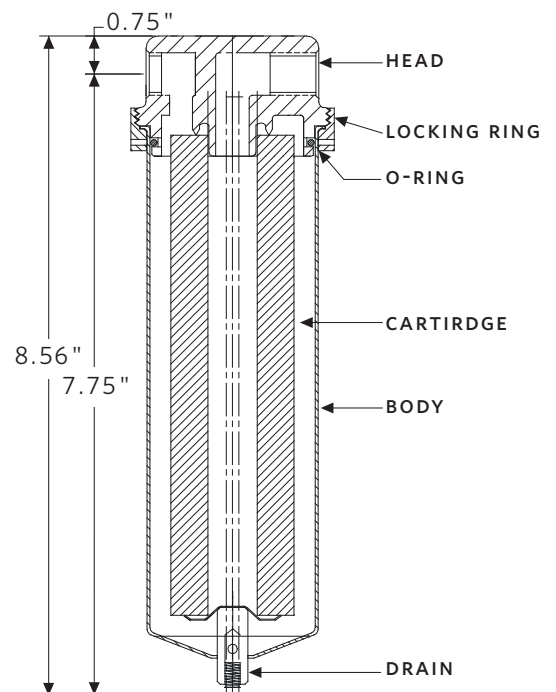
Core: 304SS

Micron rating: 50 micron

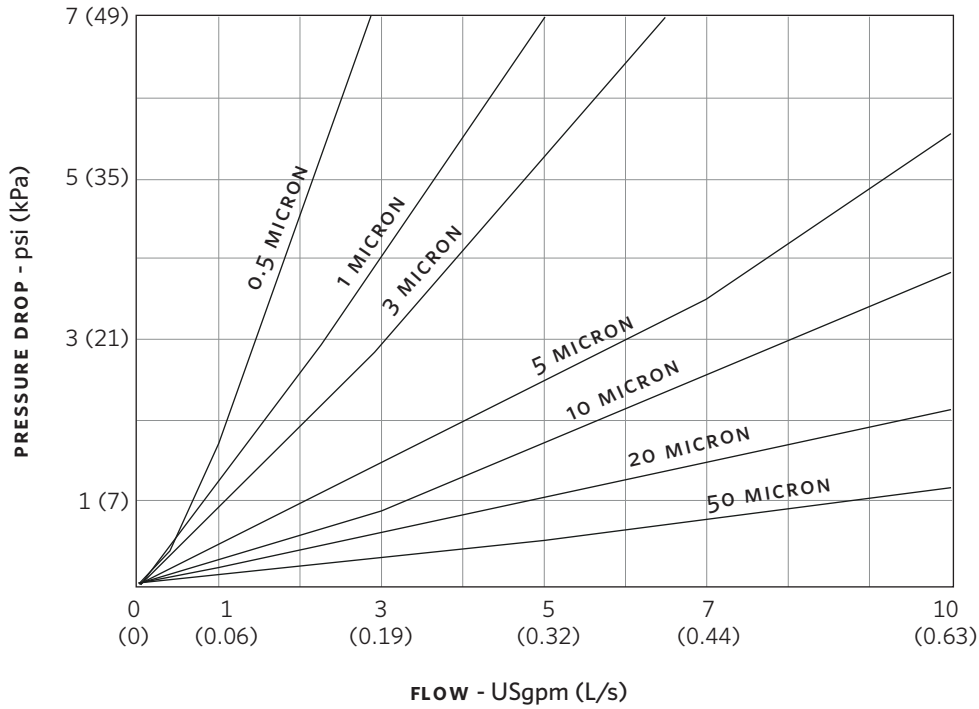
Temperature rating: 275°F (135°C)

Recommended change out: 25 psi (173 kPa)

Maximum DP at ambient temperature: 60 psi (415 kPa)



WATER BASED FLOW CHART using a single length element



TORONTO
+416 755 2291

BUFFALO
+716 693 8813

BIRMINGHAM
+44 (0) 8444 145 145

MANCHESTER
+44 (0) 8444 145 145

BANGALORE
+91 (0) 80 4906 3555

SHANGHAI
+86 21 3756 6696

ARMSTRONG INTEGRATED
ESTABLISHED 1934

ARMSTRONGINTEGRATED.COM