

# SERIES 4360 IN-LINE PUMPS INSIDE MECHANICAL SEAL | 1.25B | SUBMITTAL

File No: 43.601  
Date: NOV. 26, 2014  
Supersedes: 43.601  
Date: MAR. 15, 2012

Job: \_\_\_\_\_ Representative: \_\_\_\_\_  
 \_\_\_\_\_ Ordered by: \_\_\_\_\_ Date: \_\_\_\_\_  
 Engineer: \_\_\_\_\_ Submitted by: \_\_\_\_\_ Date: \_\_\_\_\_  
 Contractor: \_\_\_\_\_ Approved by: \_\_\_\_\_ Date: \_\_\_\_\_

### PUMP DESIGN DATA

No. of pumps: \_\_\_\_\_ Tag: \_\_\_\_\_  
 Capacity: \_\_\_\_\_ USgpm (L/s) Head: \_\_\_\_\_ ft (m)  
 Liquid: \_\_\_\_\_ Viscosity: \_\_\_\_\_  
 Temperature: \_\_\_\_\_ °F (°C) Specific Gravity: \_\_\_\_\_  
 Suction: 1.25"(32mm) Discharge: 1.25"(32mm)

### MOTOR DESIGN DATA

HP: \_\_\_\_\_ RPM: \_\_\_\_\_ Frame size: \_\_\_\_\_ Enclosure: \_\_\_\_\_  
 Volts: \_\_\_\_\_ Hertz: 60 Hz Phase: 3  
 Efficiency\*:  Standard  Energy EFF 12.11  
 NEMA premium 12.12

\* Frame 56 motors: Standard Efficiency only.  
 JM motors: 12.11 or 12.12

### MATERIALS OF CONSTRUCTION

PART NAME	■ BRONZE FITTED	■ ALL IRON	■ ALL BRONZE
Casing	Cast iron	Cast iron	Bronze
Companion flanges	Cast iron	Cast iron	Bronze
Pump/motor bracket	Cast iron	Cast iron	Bronze

Impeller: Non-ferrous

Stub Shaft: Stainless Steel

### MECHANICAL SEAL DATA

Construction	Bronze fitted / All bronze	All iron
Rotating hardware	Brass	Steel
Seal type: Inside single spring	Rotating face: Carbon	
Manufacturer: Armstrong	Stationary seat: Ceramic	
Manu code: Armseal	Secondary seal /spring: BUNA-N/stainless steel	

### OPTIONAL EQUIPMENT

### MAXIMUM PUMP OPERATING CONDITIONS

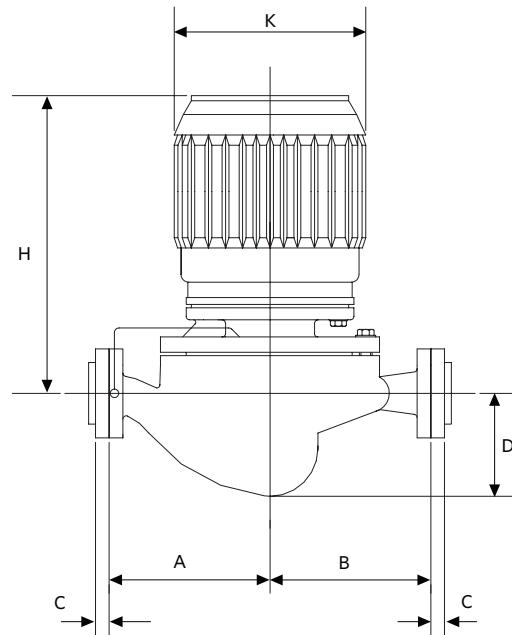
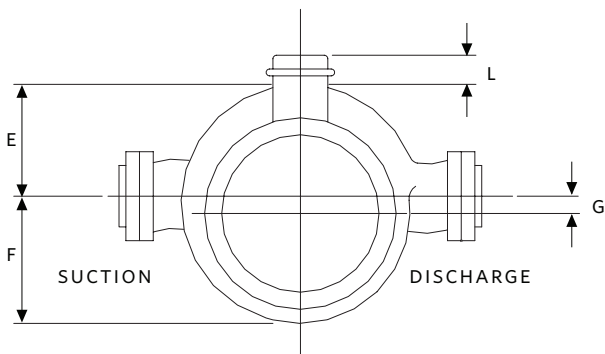
175 psig at 150°F (12 bars at 65°C)  
 140 psig at 225°F (10 bars at 107°C)

MOTOR FRAME	HORSEPOWER @ RPM		MAX. DIMENSIONS INCHES (mm)				SHIP. WEIGHT lbs (kg)		
	3500	1750	G	H		K	L	ODP	TEFC
				SINGLE PHASE	THREE PHASE	MAX	MAX		
56c	-	0.25	1.38 (35)	11.50 (292)	11.50 (292)	7.50 (191)	1.00 (25)	37 (16.8)	-
56c	-	0.33	1.38 (35)	11.75 (298)	11.75 (298)	7.50 (191)	1.00 (25)	37 (16.8)	37 (16.8)
56c	-	0.5	1.38 (35)	12.75 (324)	11.75 (298)	7.50 (191)	1.00 (25)	37 (16.8)	37 (16.8)
56c	1.5	-	1.38 (35)	13.88 (353)	12.75 (324)	7.50 (191)	1.00 (25)	42 (19.0)	47 (21.3)
56c	2	-	1.38 (35)	13.88 (353)	13.13 (334)	7.50 (191)	1.00 (25)	47 (21.3)	52 (23.6)
56c	3	-	1.38 (35)	-	13.13 (334)	7.50 (191)	1.00 (25)	52 (23.6)	72 (32.6)

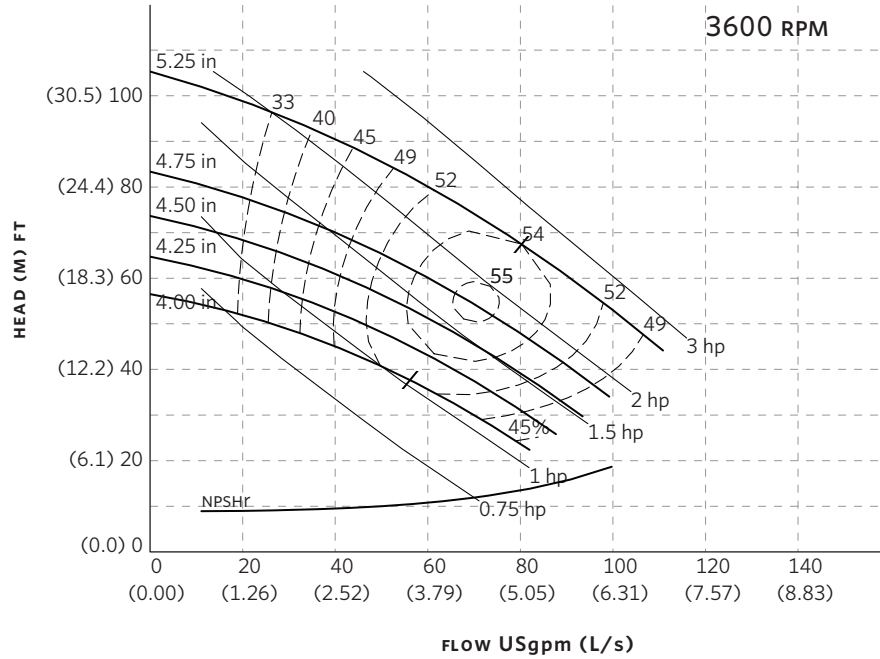
**PUMP DIMENSIONS**

INCHES (mm)

A	B	C	D	E	F
6.50	5.00	0.88	3.56	2.75	5.00
(165)	(127)	(22)	(90)	(70)	(127)



## SERIES 4360 PERFORMANCE CURVES



**Curve number**  
PT3-1-0-3600

**Series**  
4360

**Size**  
1.25B

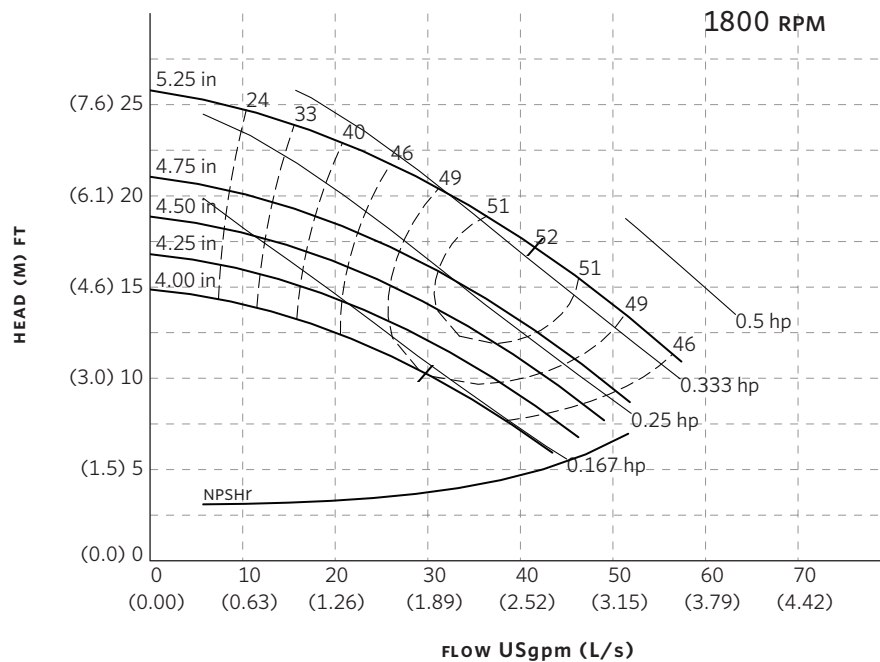
**RPM**  
3600

BHP based on shown  
Fluid's sp. gr.

**Availability**  
4360 all ratings

Performance  
guaranteed only  
at operating point  
indicated

Curve shown for  
clear, cold  
water - SP. GR. 1.000



**Curve number**  
PT2-2-0-1800

**Series**  
4360

**Size**  
1.25B

**RPM**  
1800

BHP based on shown  
Fluid's sp. gr.

**Availability**  
4360 mtr 0.25 hp min.

Performance  
guaranteed only  
at operating point  
indicated

Curve shown for  
clear, cold  
water - SP. GR. 1.000

Performance curves are for reference only.  
Confirm current performance data with Armstrong ACE Online selection software.

**TORONTO**

23 BERTRAND AVENUE  
TORONTO, ONTARIO  
CANADA  
M1L 2P3  
+416 755 2291

**BUFFALO**

93 EAST AVENUE  
NORTH TONAWANDA, NEW YORK  
U.S.A.  
14120-6594  
+716 693 8813

**BIRMINGHAM**

HEYWOOD WHARF, MUCKLOW HILL  
HALESOWEN, WEST MIDLANDS  
UNITED KINGDOM  
B62 8DJ  
+44 (0) 8444 145 145

**MANCHESTER**

WENLOCK WAY  
MANCHESTER  
UNITED KINGDOM  
M12 5JL  
+44 (0) 8444 145 145

**BANGALORE**

#59, FIRST FLOOR, 3RD MAIN  
MARGOSA ROAD, MALLESWARAM  
BANGALORE, INDIA  
560 003  
+91 (0) 80 4906 3555

**SHANGHAI**

NO. 1619 HU HANG ROAD, XI DU TOWNSHIP  
FENG XIAN DISTRICT, SHANGHAI  
P.R.C.  
201401  
+86 21 3756 6696

ARMSTRONG INTEGRATED  
ESTABLISHED 1934

ARMSTRONGINTEGRATED.COM

**MAKING  
ENERGY  
MAKE  
SENSE™**