

SERIES 4360 IN-LINE PUMPS INSIDE MECHANICAL SEAL | 1.5B | SUBMITTAL

File No: 43.603
Date: NOV. 26, 2014
Supersedes: 43.603
Date: MAR. 15, 2012

Job: _____ Representative: _____
 _____ Ordered by: _____ Date: _____
 Engineer: _____ Submitted by: _____ Date: _____
 Contractor: _____ Approved by: _____ Date: _____

PUMP DESIGN DATA

No. of pumps: _____ Tag: _____
 Capacity: _____ USgpm (L/s) Head: _____ ft (m)
 Liquid: _____ Viscosity: _____
 Temperature: _____ °F (°C) Specific Gravity: _____
 Suction: 1.5"(38mm) Discharge: 1.5"(38mm)

MATERIALS OF CONSTRUCTION

PART NAME	■ BRONZE FITTED	■ ALL IRON	■ ALL BRONZE
Casing	Cast iron	Cast iron	Bronze
Companion flanges	Cast iron	Cast iron	Bronze
Pump/motor bracket	Cast iron	Cast iron	Bronze

Impeller: Non-ferrous

Stub Shaft: Stainless Steel

OPTIONAL EQUIPMENT

MOTOR DESIGN DATA

HP: _____ RPM: _____ Frame size: _____ Enclosure: _____
 Volts: _____ Hertz: 60 Hz Phase: 3
 Efficiency*: Standard Energy EFF 12.11
 NEMA premium 12.12

* Frame 56 motors: Standard Efficiency only.
 JM motors: 12.11 or 12.12

MECHANICAL SEAL DATA

Construction	Bronze fitted / All bronze	All iron
Rotating hardware	Brass	Steel
Seal type: Inside single spring	Rotating face: Carbon	
Manufacturer: Armstrong	Stationary seat: Ceramic	
Manu code: Armseal	Secondary seal /spring: BUNA-N/stainless steel	

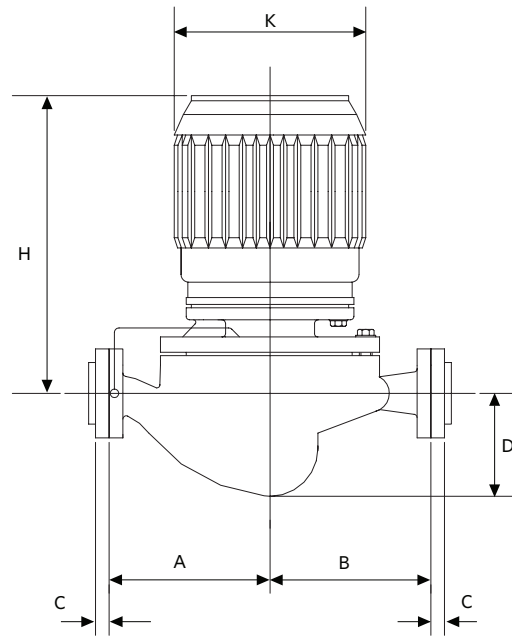
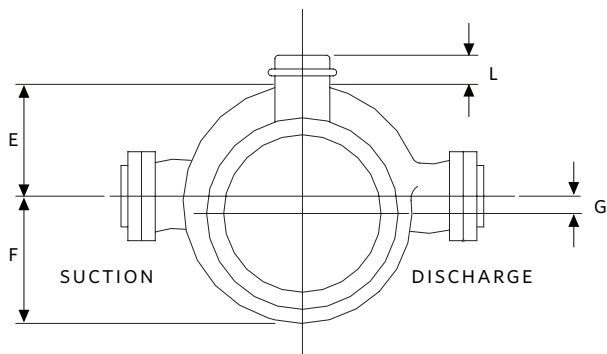
MAXIMUM PUMP OPERATING CONDITIONS

175 psig at 150°F (12 bars at 65°C)
 140 psig at 225°F (10 bars at 107°C)

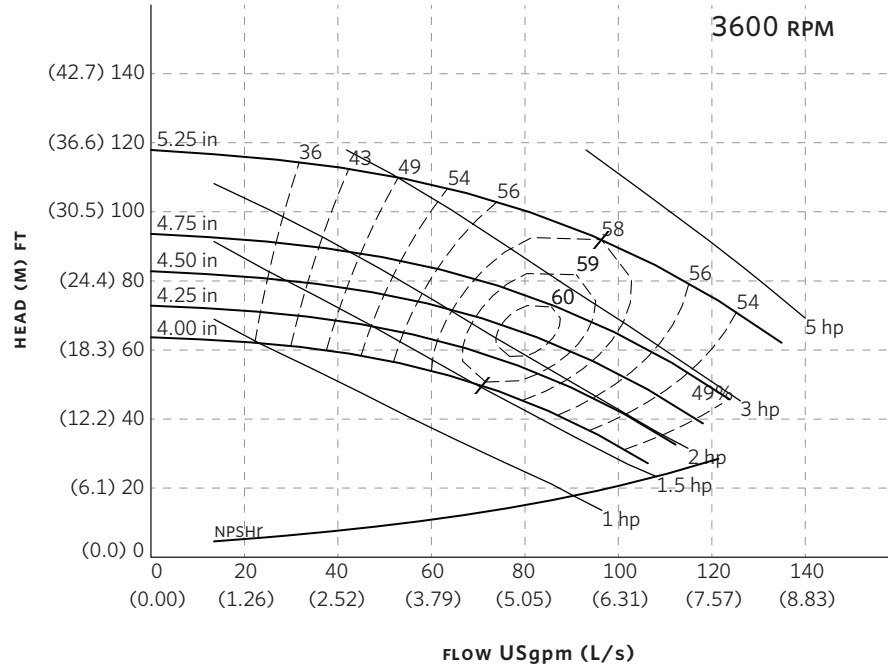
MOTOR FRAME	HORSEPOWER @ RPM		MAX. DIMENSIONS INCHES (mm)				SHIP. WEIGHT lbs (kg)		
	3500	1750	G	H		K	L	ODP	TEFC
				SINGLE PHASE	THREE PHASE	MAX	MAX		
56c	-	0.25	1.38 (35)	11.50 (292)	11.50 (292)	7.50 (191)	1.00 (25)	43 (19.5)	-
56c	-	0.33	1.38 (35)	11.75 (298)	11.75 (298)	7.50 (191)	1.00 (25)	43 (19.5)	43 (19.5)
56c	-	0.5	1.38 (35)	12.75 (324)	11.75 (298)	7.50 (191)	1.00 (25)	43 (19.5)	43 (19.5)
56c	-	0.75	1.38 (35)	13.13 (334)	12.75 (324)	7.50 (191)	1.00 (25)	45 (20.4)	45 (20.4)
56c	1.5	-	1.38 (35)	13.88 (353)	12.75 (324)	7.50 (191)	1.00 (25)	48 (21.7)	53 (24.0)
56c	2	-	1.38 (35)	13.88 (353)	13.13 (334)	7.50 (191)	1.00 (25)	53 (24.0)	58 (26.3)
56c	3	-	1.38 (35)	-	13.13 (334)	7.50 (191)	1.00 (25)	58 (26.3)	78 (35.3)
56c	5	-	1.38 (35)	-	14.63 (372)	7.50 (191)	1.00 (25)	88 (39.9)	-

PUMP DIMENSIONS
INCHES (mm)

A	B	C	D	E	F
6.56	5.06	0.88	3.56	2.75	5.00
(167)	(129)	(22)	(90)	(70)	(127)



SERIES 4360 PERFORMANCE CURVES



Curve number
PT6-1-0-3600

Series
4360

Size
1.5B

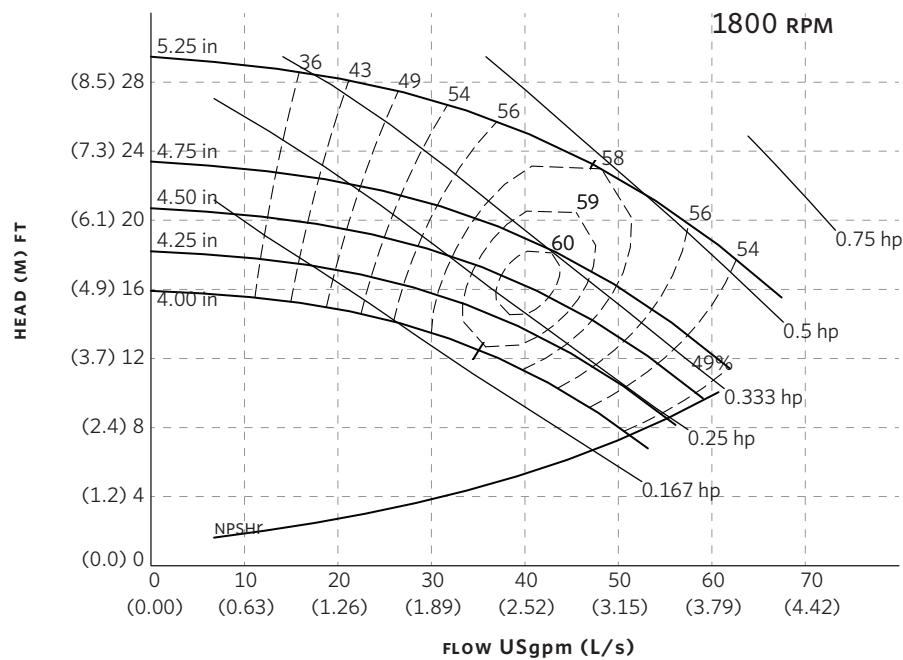
RPM
3600

BHP based on shown
Fluid's sp. gr.

Availability
4360 all ratings

Performance
guaranteed only
at operating point
indicated

Curve shown for
clear, cold
water - SP. GR. 1.000



Curve number
PT6-1-0-1800

Series
4360

Size
1.5B

RPM
1800

BHP based on shown
Fluid's sp. gr.

Availability
4360 mtr 0.25 hp min.

Performance
guaranteed only
at operating point
indicated

Curve shown for
clear, cold
water - SP. GR. 1.000

Performance curves are for reference only.

Confirm current performance data with Armstrong ACE Online selection software.

TORONTO

23 BERTRAND AVENUE
TORONTO, ONTARIO
CANADA
M1L 2P3
+416 755 2291

BUFFALO

93 EAST AVENUE
NORTH TONAWANDA, NEW YORK
U.S.A.
14120-6594
+716 693 8813

BIRMINGHAM

HEYWOOD WHARF, MUCKLOW HILL
HALESOWEN, WEST MIDLANDS
UNITED KINGDOM
B62 8DJ
+44 (0) 8444 145 145

MANCHESTER

WENLOCK WAY
MANCHESTER
UNITED KINGDOM
M12 5JL
+44 (0) 8444 145 145

BANGALORE

#59, FIRST FLOOR, 3RD MAIN
MARGOSA ROAD, MALLESWARAM
BANGALORE, INDIA
560 003
+91 (0) 80 4906 3555

SHANGHAI

NO. 1619 HU HANG ROAD, XI DU TOWNSHIP
FENG XIAN DISTRICT, SHANGHAI
P.R.C.
201401
+86 21 3756 6696

ARMSTRONG INTEGRATED
ESTABLISHED 1934

ARMSTRONGINTEGRATED.COM

**MAKING
ENERGY
MAKE
SENSE™**