

SERIES 4380 | VERTICAL IN-LINE | 3×3×7.5 | SUBMITTAL

File No: 43-584
Date: FEBRUARY 12, 2024
Supersedes: NEW
Date: NEW

Job: _____ Representative: _____
 _____ Ordered by: _____ Date: _____
 Engineer: _____ Submitted by: _____ Date: _____
 Contractor: _____ Approved by: _____ Date: _____

PUMP DESIGN DATA

No. of pumps: _____ Tag: _____
 Capacity: _____ USgpm (L/s) Head: _____ ft (m)
 Liquid: _____ Viscosity: _____
 Temperature: _____ °F (°C) Specific gravity: _____
 Suction: 3" (75 mm) Discharge: 3" (75 mm)

MATERIALS OF CONSTRUCTION

- ANSI 125**
CONSTRUCTION: SF
 E-coated cast iron, 316 stainless steel fitted
 Upgrade impeller to duplex stainless steel fitted (DF)
- ANSI 250**
CONSTRUCTION: DSF
 E-coated ductile iron, 316 stainless steel fitted
 Upgrade impeller to duplex stainless steel fitted (DDF)

Gasket: Confined non-asbestos fiber

Shaft: 316SS

Shaft sleeve: 316SS

Flush line: Braided stainless steel

MECHANICAL SEAL DATA

Seal type: 2A **Stationary seat:** Silicone carbide

Spring: Stainless steel

MOTOR DESIGN DATA

HP: _____ RPM: _____ Frame size: _____ Enclosure: _____
 Volts: _____ Hertz: 60 Hz Phase: 3
 Efficiency: Energy EFF 12.11 NEMA premium 12.12

MAXIMUM PUMP OPERATING CONDITIONS

- ANSI 125**
 175 psig at 150°F (12 bars at 65°C)
 140 psig at 250°F (10 bars at 121°C)
- ANSI 250**
 300 psig at 150°F (20 bars at 65°C)
 250 psig at 250°F (17 bars at 121°C)
- Tolerance of ±0.125" (±3 mm) should be used
 - See performance curves on page 3
 - For exact installation, data please write factory for certified dimensions
 - Pump equipped with casing drain plug and ¼" NPT suction and discharge gauge ports

OPTIONAL EQUIPMENT

Secondary seal: EPDM

Rotating hardware: Stainless steel

FLUID TYPE	ALL GLYCOLS > 30% WT CONC		ALL OTHER NON-POTABLE FLUIDS		POTABLE (DRINKING) WATER	
	up to 200°F (93°C)	over 200°F (93°C)	up to 200°F (93°C)	over 200°F (93°C)	up to 200°F (93°C)	over 200°F (93°C)
Temperature	up to 200°F (93°C)	over 200°F (93°C)	up to 200°F (93°C)	over 200°F (93°C)	up to 200°F (93°C)	over 200°F (93°C)
Rotating face	Silicone carbide		Resin bonded carbon	Antimony loaded carbon	Resin bonded carbon	
Seat elastomer	EPDM (L-cup)	EPDM (O-ring)	EPDM (L-cup)	EPDM (O-ring)	EPDM (L-cup)	EPDM (O-ring)
Material code	SCSC L EPSS 2A	SCSC O EPSS 2A	C-SC L EPSS 2A	ACSC O EPSS 2A	C-SC L EPSS 2A	C-SC O EPSS 2A

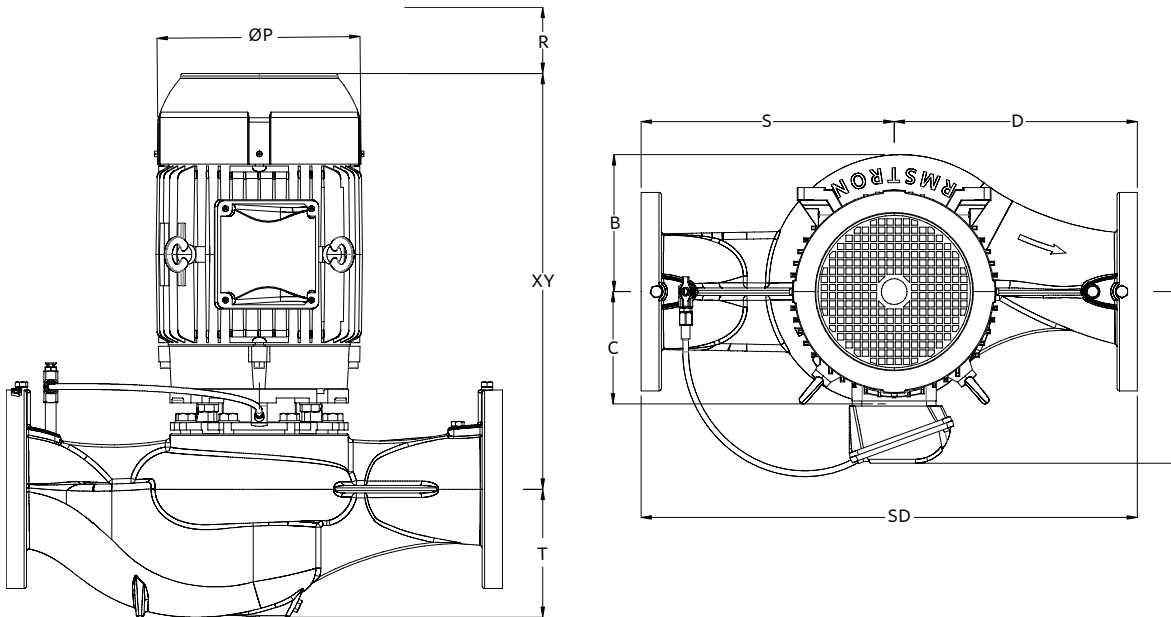
4380	FRAME	HORSEPOWER @ RPM				DIMENSIONS INCHES (mm)				WEIGHT* lbs (kgs)	
		ODP		TEFC		ODP/ TEFC				ODP	TEFC
		3600	1800	3600	1800	E	P	R	XY		
	215JM	15	—	—	—	10.19 (259)	12.50 (318)	1.85 (47)	25.00 (635)	331 (150.2)	—
	254JM	20	—	15	—	10.19 (259)	12.50 (318)	1.85 (47)	25.00 (635)	433 (196.5)	504 (228.7)
	256JM	25	—	20	—	10.19 (259)	12.50 (318)	2.24 (57)	25.00 (635)	474 (215.1)	578 (262.3)
3×3×7.5	284JM	30	—	25	—	11.00 (279)	14.00 (356)	2.24 (57)	25.50 (648)	576 (261.3)	619 (280.9)
	286JM	40	—	30	—	11.00 (279)	14.00 (356)	2.24 (57)	25.50 (648)	614 (278.6)	642 (291.3)
	324JM	50	—	40	—	11.50 (292)	15.15 (385)	2.64 (67)	26.00 (660)	725 (328.9)	807 (366.2)
	326JM	—	—	50	—	11.50 (292)	15.15 (385)	2.64 (67)	26.00 (660)	—	854 (387.5)

*Assembly weight combines pump and motor.

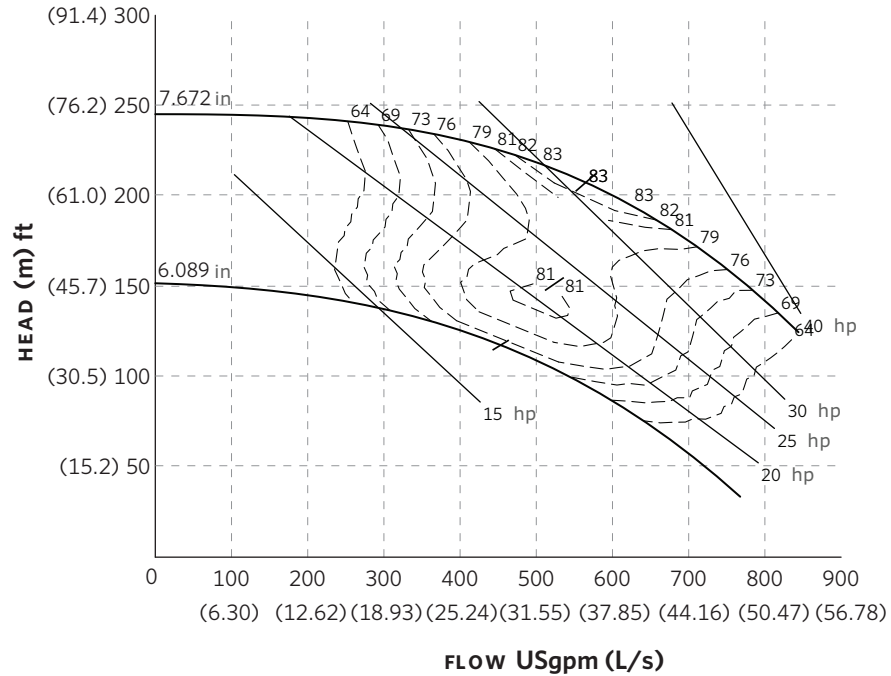
PUMP DIMENSIONS

inches (mm)

B	C	D	S	SD	T
6.43 (163)	5.70 (145)	10.00 (254)	12.00 (305)	22.00 (559)	6.60 (168)



SERIES 4380 PERFORMANCE CURVES



Curve number

PT-784-0-0

Series

4380

Size

3x3x7.5

RPM

3600

BHP based on shown
Fluid's sp. gr.

Availability

4380 all ratings

Performance
guaranteed only
at operating point
indicated

Curve shown for
clear, cold water
- SP. GR. 1.000

Performance curves are for reference only.

Confirm current performance data with Armstrong ADEPT selection software.

TORONTO

23 BERTRAND AVENUE,
TORONTO, ONTARIO,
CANADA, M1L 2P3
+1 416 755 2291

BUFFALO

93 EAST AVENUE, NORTH
TONAWANDA, NEW YORK,
U.S.A., 14120-6594
+1 716 693 8813

DROITWICH SPA

POINTON WAY, STONEBRIDGE CROSS
BUSINESS PARK, DROITWICH SPA,
WORCESTERSHIRE,
UNITED KINGDOM, WR9 0LW
+44 121 550 5333

MANCHESTER

WOLVERTON STREET, MANCHESTER
UNITED KINGDOM, M11 2ET
+44 161 223 2223

BANGALORE

#18, LEWIS WORKSPACE, 3RD FLOOR,
OFF MILLERS - NANDIDURGA ROAD,
JAYAMAHAL CBD, BENSON TOWN,
BANGALORE, INDIA 560 046
+91 80 4906 3555

SHANGHAI

UNIT 903, 888 NORTH SICHUAN RD.
HONGKOU DISTRICT, SHANGHAI
CHINA, 200085
+86 21 5237 0909

BEIJING

ROOM 1612, NANYIN BUILDING NO.2
NORTH EAST THRID RING ROAD
CHAOYANG DISTRICT, BEIJING,
CHINA 100027
+86 21 5237 0909

SÃO PAULO

RUA JOSÉ SEMIÃO RODRIGUES
AGOSTINHO, 1370 GALPÃO 6 EMBU
DAS ARTES, SAO PAULO, BRAZIL
+55 11 4785 1330

LYON

93 RUE DE LA VILLETTE
LYON, 69003 FRANCE
+33 4 26 83 78 74

DUBAI

JAFZA VIEW 19, OFFICE 402
P.O. BOX 18226 JAFZA,
DUBAI - UNITED ARAB EMIRATES
+971 4 887 6775

JIMBOLIA

STR CALEA MOTILOR NR. 2C
JIMBOLIA 305400, JUD.TIMIS
ROMANIA
+40 256 360 030

ARMSTRONG FLUID TECHNOLOGY®
ESTABLISHED 1934

ARMSTRONGFLUIDTECHNOLOGY.COM