

SERIES 4380 | CLOSED-COUPLED VERTICAL IN-LINE | 150-200A (6×6×8) | SUBMITTAL

File No: 43.720L
Date: APRIL 04, 2016
Supersedes: NEW
Date: NEW

Job: _____ Representative: _____
 _____ Order no.: _____ Date: _____
 Engineer: _____ Submitted by: _____ Date: _____
 Contractor: _____ Approved by: _____ Date: _____

PUMP DESIGN DATA

No. of pumps: _____ Tag: _____
 Capacity: _____ m³/h (USgpm) Head: _____ m(ft)
 Liquid: _____ Viscosity: _____
 Temperature: _____ °C (°F) Specific gravity: _____
 Suction: 150mm (6") Discharge: 150mm (6")

MATERIALS OF CONSTRUCTION

DIN FLANGE RATING	PN 16	PN 25
Construction	<input type="checkbox"/> BF	<input type="checkbox"/> DBF
Casing	Cast iron	Ductile iron
Adapter	Cast iron	Ductile iron

Impeller: Bronze

Gasket: Confined non-asbestos fiber

Shaft: Carbon steel

Shaft sleeve: Bronze

Flush line: Braided stainless steel

MECHANICAL SEAL DATA

Seal type: 2A **Stationary seat:** Silicone carbide
Secondary seal: EPDM **Rotating hardware:** Stainless steel
Spring: Stainless steel

MOTOR DESIGN DATA

kW: _____ RPM: _____
 Frame size: _____ Enclosure: _____
 Volts: _____ Hertz: 50 Hz Phase: 3
 Efficiency: IE1 IE2 IE3

MAXIMUM PUMP OPERATING CONDITIONS

PN 16

12 bars at 65°C (175 psig at 150°F)
 10 bars at 121°C (140 psig at 250°F)

PN 25

20 bars at 65°C (300 psig at 150°F)
 17 bars at 121°C (250 psig at 250°F)

- Tolerance of ±3 mm (±0.125") should be used
- For exact installation, data please write factory for certified dimensions
- Pump equipped with casing drain plug and ¼" NPT suction and discharge gauge ports.
- See performance curves on page 3

OPTIONAL EQUIPMENT

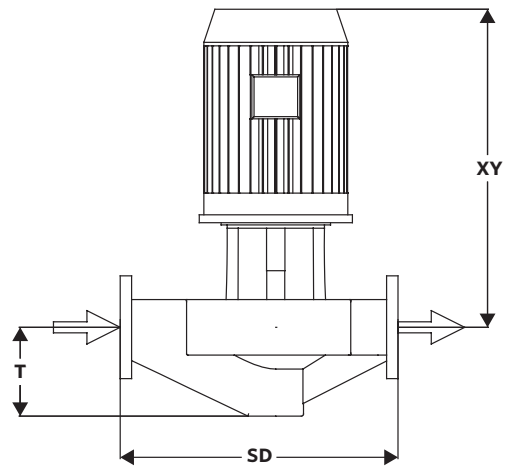
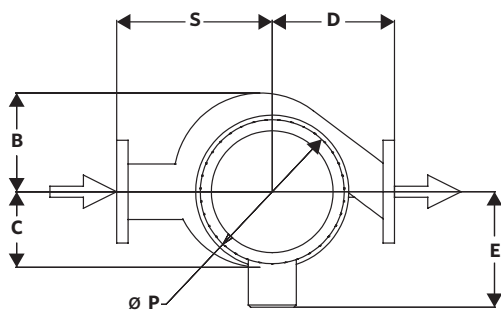
FLUID TYPE	ALL GLYCOLS > 30% WT CONC		ALL OTHER NON-POTABLE FLUIDS		POTABLE (DRINKING) WATER	
	up to 93°C (200°F)	over 93°C (200°F)	up to 93°C (200°F)	over 93°C (200°F)	up to 93°C (200°F)	over 93°C (200°F)
Rotating face	Silicone carbide		Resin bonded carbon	Antimony loaded carbon	Resin bonded carbon	
Seat elastomer	EPDM (L-cup)	EPDM (O-ring)	EPDM (L-cup)	EPDM (O-ring)	EPDM (L-cup)	EPDM (O-ring)
Material code	SCSc L EPSS 2A	SCSc O EPSS 2A	C-Sc L EPSS 2A	ACSc O EPSS 2A	C-sc L EPSS 2A	C-sc O EPSS 2A

MOTOR	KILOWATT @ RPM		FULL LOAD CURRENT (A)	STARTING CURRENT (A)		DIMENSIONS mm (inches)			WEIGHT kg (lbs)
	3000	1500		STAR DELTA (SD)	DIRECT ON LINE (DOL)	E	P	XY	
100L	—	3	6.4	—	37.1	138 (5.43)	200 (7.87)	455 (17.90)	150 (331)
112M	—	4	8.4	18.5	58.9	148 (5.83)	235 (9.25)	498 (19.61)	158 (349)
132S	—	5.5	10.9	24.0	81.8	175 (6.89)	280 (11.02)	575 (22.64)	169 (372)
132M	—	7.5	14.9	32.8	111.8	175 (6.89)	280 (11.02)	598 (23.55)	177 (389)

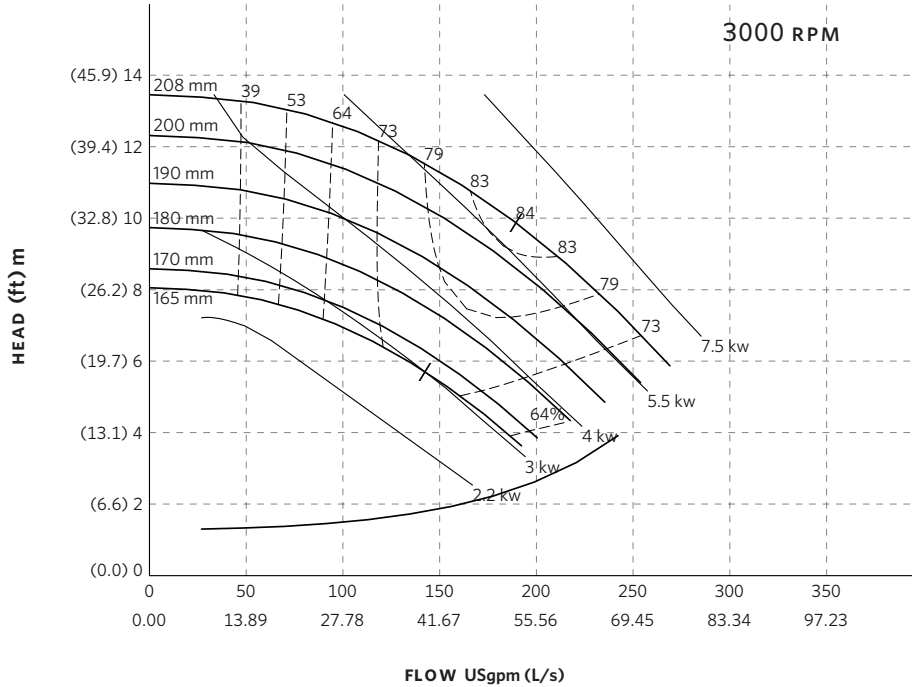
PUMP DIMENSIONS

mm (inches)

B	C	D	S	T
183 (7.19)	241 (9.50)	343 (13.50)	495 (19.50)	264 (10.38)



SERIES 4380 PERFORMANCE CURVES



Curve number
PT107-1-0-1500

Series
4300
4380

Size
150-200A

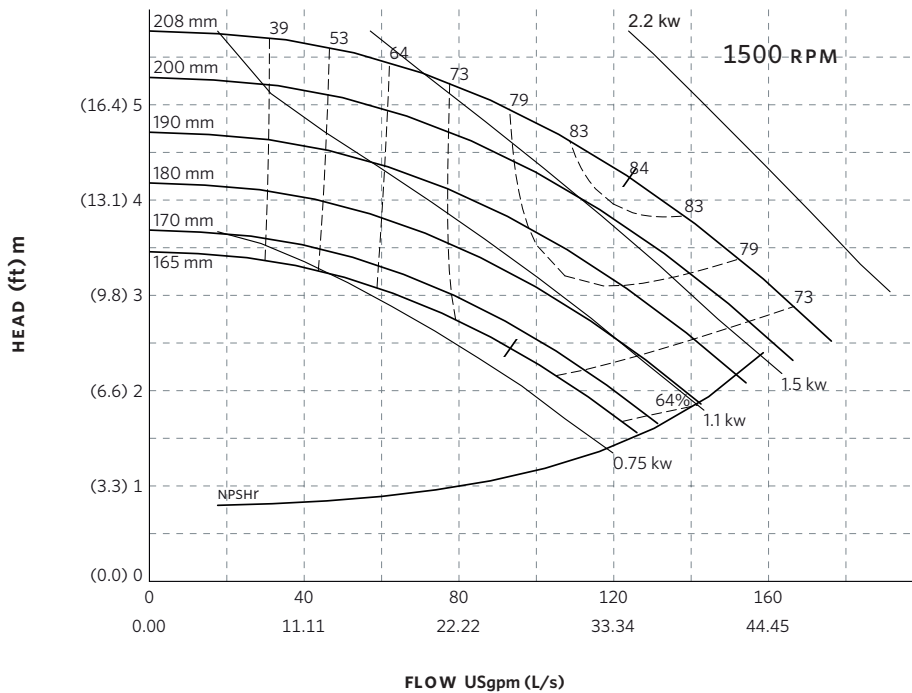
RPM
3000

BHP based on shown
Fluid's sp. gr.

Availability
4300 all ratings
4380 all ratings

Performance
guaranteed only
at operating point
indicated

Curve shown for
clear, cold water
- SP. GR. 1.000



Curve number
PT107-1-0-1000

Series
4300
4380

Size
150-200A

RPM
1500

BHP based on shown
Fluid's sp. gr.

Availability
4300 all ratings
4380 all ratings

Performance
guaranteed only
at operating point
indicated

Curve shown for
clear, cold water
- SP. GR. 1.000

Performance curves are for reference only.
Confirm current performance data with Armstrong ACE Online selection software.

TORONTO

23 BERTRAND AVENUE
TORONTO, ONTARIO
CANADA
M1L 2P3
+1 416 755 2291

BUFFALO

93 EAST AVENUE
NORTH TONAWANDA, NEW YORK
U.S.A.
14120-6594
+1 716 693 8813

BIRMINGHAM

HEYWOOD WHARF, MUCKLOW HILL
HALESOWEN, WEST MIDLANDS
UNITED KINGDOM
B62 8DJ
+44 (0) 8444 145 145

MANCHESTER

WOLVERTON STREET
MANCHESTER
UNITED KINGDOM
M11 2ET
+44 (0) 8444 145 145

BANGALORE

#59, FIRST FLOOR, 3RD MAIN
MARGOSA ROAD, MALLESWARAM
BANGALORE, INDIA
560 003
+91 (0) 80 4906 3555

SHANGHAI

NO. 1619 HU HANG ROAD, XI DU TOWNSHIP
FENG XIAN DISTRICT, SHANGHAI
P.R.C.
201401
+86 21 3756 6696

SÃO PAULO

RUA JOSÉ SEMIÃO RODRIGUES AGOSTINHO,
1370 GALPÃO 6
EMBU DAS ARTES
SAO PAULO, BRAZIL
+55 11 4781 5500

ARMSTRONG FLUID TECHNOLOGY
ESTABLISHED 1934

ARMSTRONGFLUIDTECHNOLOGY.COM

**MAKING
ENERGY
MAKE
SENSE™**