

## SERIES 4380 | CLOSED-COUPLED VERTICAL IN-LINE | 125-290A (5×5×11.5) | SUBMITTAL

File No: 43.736L  
Date: APRIL 04, 2016  
Supersedes: NEW  
Date: NEW

Job: \_\_\_\_\_ Representative: \_\_\_\_\_  
 \_\_\_\_\_ Order no.: \_\_\_\_\_ Date: \_\_\_\_\_  
 Engineer: \_\_\_\_\_ Submitted by: \_\_\_\_\_ Date: \_\_\_\_\_  
 Contractor: \_\_\_\_\_ Approved by: \_\_\_\_\_ Date: \_\_\_\_\_

### PUMP DESIGN DATA

No. of pumps: \_\_\_\_\_ Tag: \_\_\_\_\_  
 Capacity: \_\_\_\_\_ m<sup>3</sup>/h (USgpm) Head: \_\_\_\_\_ m(ft)  
 Liquid: \_\_\_\_\_ Viscosity: \_\_\_\_\_  
 Temperature: \_\_\_\_\_ °C (°F) Specific gravity: \_\_\_\_\_  
 Suction: 125mm (5") Discharge: 125mm (5")

### MATERIALS OF CONSTRUCTION

| DIN FLANGE RATING   | PN 16                       | PN 25                        |
|---------------------|-----------------------------|------------------------------|
| <b>Construction</b> | <input type="checkbox"/> BF | <input type="checkbox"/> DBF |
| <b>Casing</b>       | Cast iron                   | Ductile iron                 |
| <b>Adapter</b>      | Cast iron                   | Ductile iron                 |

**Impeller:** Bronze

**Gasket:** Confined non-asbestos fiber

**Shaft:** Carbon steel

**Shaft sleeve:** Bronze

**Flush line:** Braided stainless steel

### MECHANICAL SEAL DATA

**Seal type:** 2A      **Stationary seat:** Silicone carbide  
**Secondary seal:** EPDM      **Rotating hardware:** Stainless steel  
**Spring:** Stainless steel

### MOTOR DESIGN DATA

kW: \_\_\_\_\_ RPM: \_\_\_\_\_  
 Frame size: \_\_\_\_\_ Enclosure: \_\_\_\_\_  
 Volts: \_\_\_\_\_ Hertz: 50 Hz      Phase: 3  
 Efficiency:  IE1     IE2     IE3

### MAXIMUM PUMP OPERATING CONDITIONS

#### PN 16

12 bars at 65°C (175 psig at 150°F)  
 10 bars at 121°C (140 psig at 250°F)

#### PN 25

20 bars at 65°C (300 psig at 150°F)  
 17 bars at 121°C (250 psig at 250°F)

- Tolerance of ±3 mm (±0.125") should be used
- For exact installation, data please write factory for certified dimensions
- Pump equipped with casing drain plug and ¼" NPT suction and discharge gauge ports.
- See performance curves on page 3

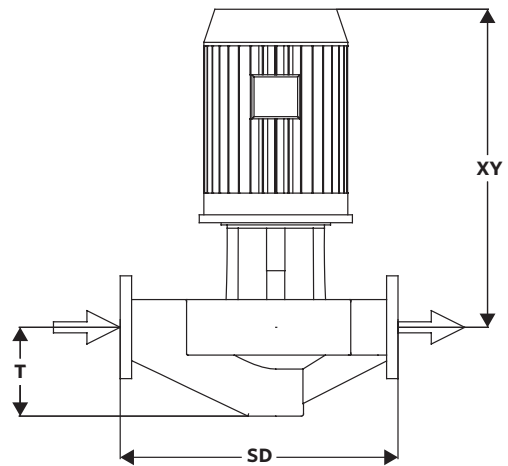
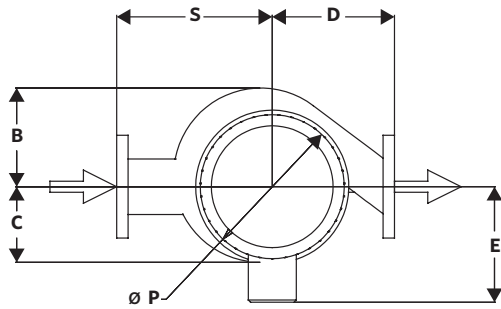
### OPTIONAL EQUIPMENT

| FLUID TYPE            | ALL GLYCOLS > 30% WT CONC |                   | ALL OTHER NON-POTABLE FLUIDS |                        | POTABLE (DRINKING) WATER |                   |
|-----------------------|---------------------------|-------------------|------------------------------|------------------------|--------------------------|-------------------|
| <b>Temperature</b>    | up to 93°C (200°F)        | over 93°C (200°F) | up to 93°C (200°F)           | over 93°C (200°F)      | up to 93°C (200°F)       | over 93°C (200°F) |
| <b>Rotating face</b>  | Silicone carbide          |                   | Resin bonded carbon          | Antimony loaded carbon | Resin bonded carbon      |                   |
| <b>Seat elastomer</b> | EPDM (L-cup)              | EPDM (O-ring)     | EPDM (L-cup)                 | EPDM (O-ring)          | EPDM (L-cup)             | EPDM (O-ring)     |
| <b>Material code</b>  | SCSc L EPSS 2A            | SCSc O EPSS 2A    | C-Sc L EPSS 2A               | ACSc O EPSS 2A         | C-Sc L EPSS 2A           | C-Sc O EPSS 2A    |

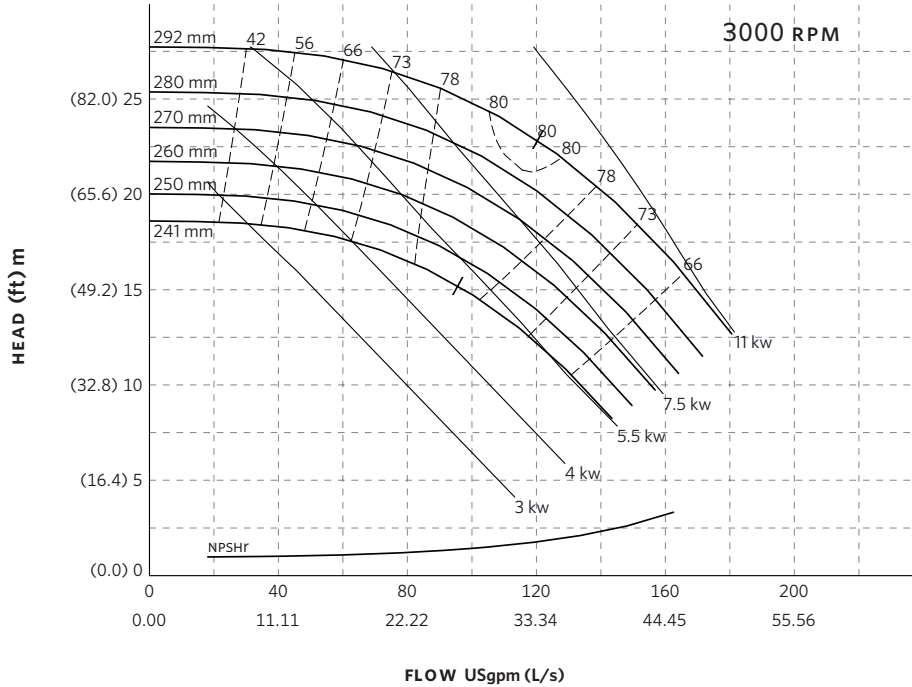
| MOTOR | KILOWATT @ RPM |      | FULL LOAD CURRENT (A) | STARTING CURRENT (A) |                      | DIMENSIONS mm (inches) |             |             | WEIGHT<br>kg (lbs) |
|-------|----------------|------|-----------------------|----------------------|----------------------|------------------------|-------------|-------------|--------------------|
|       | 3000           | 1500 |                       | STAR DELTA (SD)      | DIRECT ON LINE (DOL) | E                      | P           | XY          |                    |
| 112M  | —              | 4    | 8.4                   | 8.4                  | 58.9                 | 146 (5.75)             | 218 (8.58)  | 488 (19.21) | 174 (384)          |
| 132S  | —              | 5.5  | 10.9                  | 10.9                 | 81.8                 | 168 (6.61)             | 258 (10.16) | 624 (24.57) | 184 (407)          |
| 132M  | —              | 7.5  | 14.9                  | 14.9                 | 111.8                | 168 (6.61)             | 258 (10.16) | 624 (24.57) | 192(424)           |
| 160M  | —              | 11   | 21.9                  | 21.9                 | 168.6                | 225 (8.86)             | 310 (12.20) | 779 (30.67) | 253 (559)          |

**PUMP DIMENSIONS**  
mm (inches)

| B             | C             | D              | S              | T             |
|---------------|---------------|----------------|----------------|---------------|
| 203<br>(7.99) | 229<br>(9.02) | 350<br>(13.78) | 438<br>(17.24) | 240<br>(9.45) |



## SERIES 4380 PERFORMANCE CURVES



**Curve number**  
PT94-1-0-1500

**Series**  
4300  
4380

**Size**  
125-290A

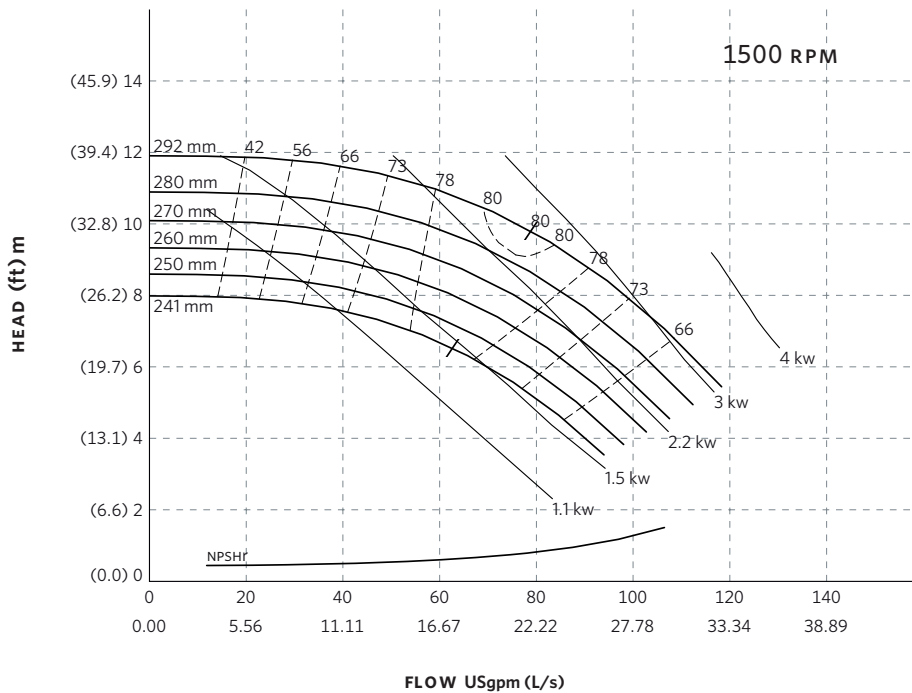
**RPM**  
3000

BHP based on shown  
Fluid's sp. gr.

**Availability**  
4300 all ratings  
4380 all ratings

Performance  
guaranteed only  
at operating point  
indicated

Curve shown for  
clear, cold water  
- SP. GR. 1.000



**Curve number**  
PT94-1-0-1000

**Series**  
4300  
4380

**Size**  
125-290A

**RPM**  
1500

BHP based on shown  
Fluid's sp. gr.

**Availability**  
4300 all ratings  
4380 all ratings

Performance  
guaranteed only  
at operating point  
indicated

Curve shown for  
clear, cold water  
- SP. GR. 1.000

Performance curves are for reference only.

Confirm current performance data with Armstrong ACE Online selection software.

**TORONTO**

23 BERTRAND AVENUE  
TORONTO, ONTARIO  
CANADA  
M1L 2P3  
+1 416 755 2291

**BUFFALO**

93 EAST AVENUE  
NORTH TONAWANDA, NEW YORK  
U.S.A.  
14120-6594  
+1 716 693 8813

**BIRMINGHAM**

HEYWOOD WHARF, MUCKLOW HILL  
HALESOWEN, WEST MIDLANDS  
UNITED KINGDOM  
B62 8DJ  
+44 (0) 8444 145 145

**MANCHESTER**

WOLVERTON STREET  
MANCHESTER  
UNITED KINGDOM  
M11 2ET  
+44 (0) 8444 145 145

**BANGALORE**

#59, FIRST FLOOR, 3RD MAIN  
MARGOSA ROAD, MALLESWARAM  
BANGALORE, INDIA  
560 003  
+91 (0) 80 4906 3555

**SHANGHAI**

NO. 1619 HU HANG ROAD, XI DU TOWNSHIP  
FENG XIAN DISTRICT, SHANGHAI  
P.R.C.  
201401  
+86 21 3756 6696

**SÃO PAULO**

RUA JOSÉ SEMIÃO RODRIGUES AGOSTINHO,  
1370 GALPÃO 6  
EMBU DAS ARTES  
SAO PAULO, BRAZIL  
+55 11 4781 5500

ARMSTRONG FLUID TECHNOLOGY  
ESTABLISHED 1934

ARMSTRONGFLUIDTECHNOLOGY.COM

**MAKING  
ENERGY  
MAKE  
SENSE™**