

SERIES 4380 | CLOSED-COUPLED VERTICAL IN-LINE | 200-290A (8×8×11.5) | SUBMITTAL

File No: 43.740L
Date: APRIL 04, 2016
Supersedes: NEW
Date: NEW

Job: _____ Representative: _____
 _____ Order no.: _____ Date: _____
 Engineer: _____ Submitted by: _____ Date: _____
 Contractor: _____ Approved by: _____ Date: _____

PUMP DESIGN DATA

No. of pumps: _____ Tag: _____
 Capacity: _____ m³/h (USgpm) Head: _____ m(ft)
 Liquid: _____ Viscosity: _____
 Temperature: _____ °C (°F) Specific gravity: _____
 Suction: 200mm (8") Discharge: 200mm (8")

MATERIALS OF CONSTRUCTION

| DIN FLANGE RATING | PN 16 | PN 25 |
|-------------------|-----------------------------|------------------------------|
| Construction | <input type="checkbox"/> BF | <input type="checkbox"/> DBF |
| Casing | Cast iron | Ductile iron |
| Adapter | Cast iron | Ductile iron |

Impeller: Bronze

Gasket: Confined non-asbestos fiber

Shaft: Carbon steel

Shaft sleeve: Bronze

Flush line: Braided stainless steel

MECHANICAL SEAL DATA

Seal type: 2A **Stationary seat:** Silicone carbide
Secondary seal: EPDM **Rotating hardware:** Stainless steel
Spring: Stainless steel

MOTOR DESIGN DATA

kW: _____ RPM: _____
 Frame size: _____ Enclosure: _____
 Volts: _____ Hertz: 50 Hz Phase: 3
 Efficiency: IE1 IE2 IE3

MAXIMUM PUMP OPERATING CONDITIONS

PN 16

12 bars at 65°C (175 psig at 150°F)
 10 bars at 121°C (140 psig at 250°F)

PN 25

20 bars at 65°C (300 psig at 150°F)
 17 bars at 121°C (250 psig at 250°F)

- Tolerance of ±3 mm (±0.125") should be used
- For exact installation, data please write factory for certified dimensions
- Pump equipped with casing drain plug and ¼" NPT suction and discharge gauge ports.
- See performance curves on page 3

OPTIONAL EQUIPMENT

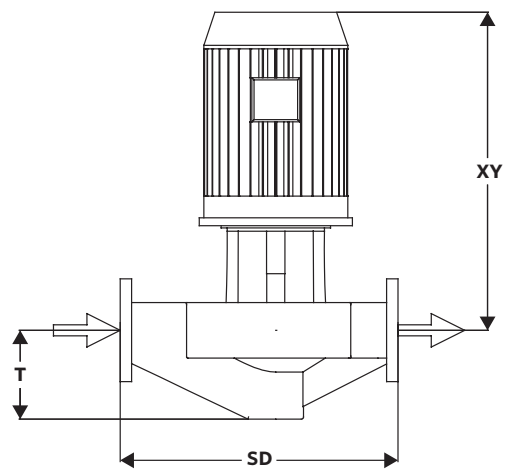
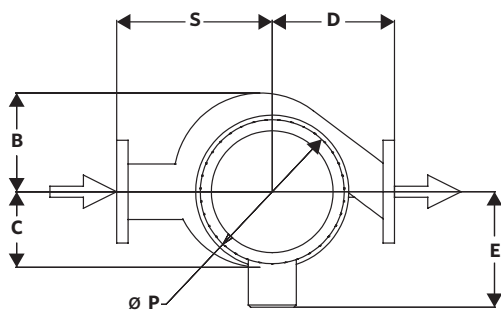
| FLUID TYPE | ALL GLYCOLS > 30% WT CONC | | ALL OTHER NON-POTABLE FLUIDS | | POTABLE (DRINKING) WATER | |
|----------------|---------------------------|-------------------|------------------------------|------------------------|--------------------------|-------------------|
| Temperature | up to 93°C (200°F) | over 93°C (200°F) | up to 93°C (200°F) | over 93°C (200°F) | up to 93°C (200°F) | over 93°C (200°F) |
| Rotating face | Silicone carbide | | Resin bonded carbon | Antimony loaded carbon | Resin bonded carbon | |
| Seat elastomer | EPDM (L-cup) | EPDM (O-ring) | EPDM (L-cup) | EPDM (O-ring) | EPDM (L-cup) | EPDM (O-ring) |
| Material code | SCSc L EPSS 2A | SCSc O EPSS 2A | C-Sc L EPSS 2A | ACSc O EPSS 2A | C-Sc L EPSS 2A | C-Sc O EPSS 2A |

| MOTOR | KILOWATT @ RPM | | FULL LOAD CURRENT (A) | STARTING CURRENT (A) | | DIMENSIONS mm (inches) | | | WEIGHT |
|-------|----------------|------|-----------------------|----------------------|----------------------|------------------------|-------------|-------------|------------|
| | 3000 | 1500 | | STAR DELTA (SD) | DIRECT ON LINE (DOL) | E | P | XY | |
| 160L | — | 15 | 29.6 | 68.1 | 227.9 | 208 (8.19) | 315 (12.40) | 749 (29.48) | 358 (789) |
| 180M | — | 18.5 | 36.3 | 94.4 | 304.9 | 248 (9.76) | 316 (12.44) | 749 (29.48) | 378 (834) |
| 180L | — | 22 | 41.8 | 92.0 | 313.5 | 255 (10.04) | 350 (13.78) | 847 (33.34) | 403 (889) |
| 200L | — | 30 | 58.0 | 139.2 | 435.0 | 275 (10.83) | 390 (15.35) | 958 (37.71) | 458 (1010) |

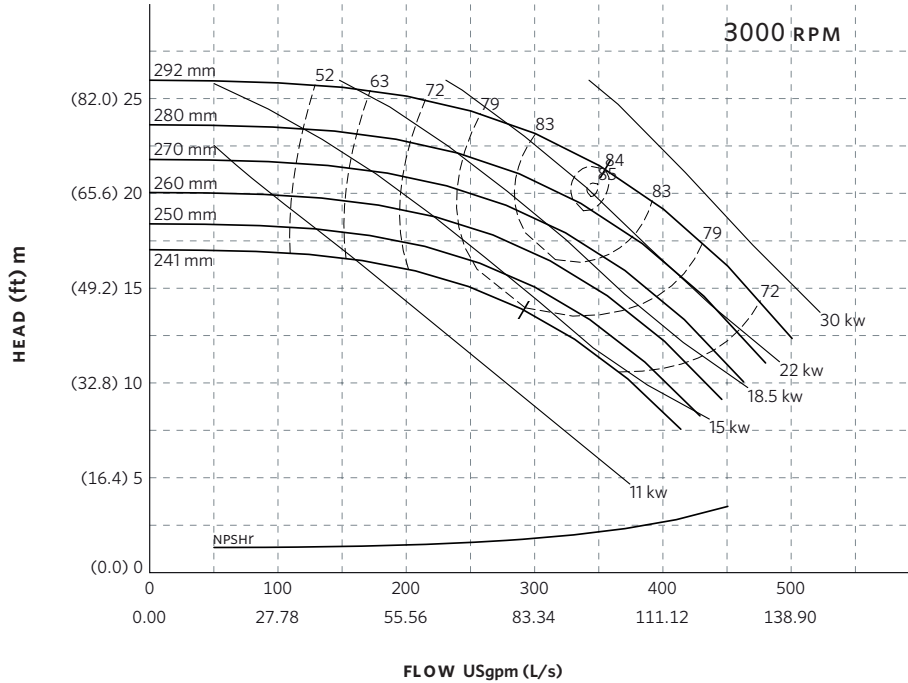
PUMP DIMENSIONS

mm (inches)

| B | C | D | S | T |
|---------------|----------------|----------------|----------------|----------------|
| 241 (9.50) | 292 (11.50) | 445 (17.50) | 559 (22.00) | 254 (10.00) |



SERIES 4380 PERFORMANCE CURVES



Curve number
PT113-1-0-1500

Series
4300
4380

Size
200-290A

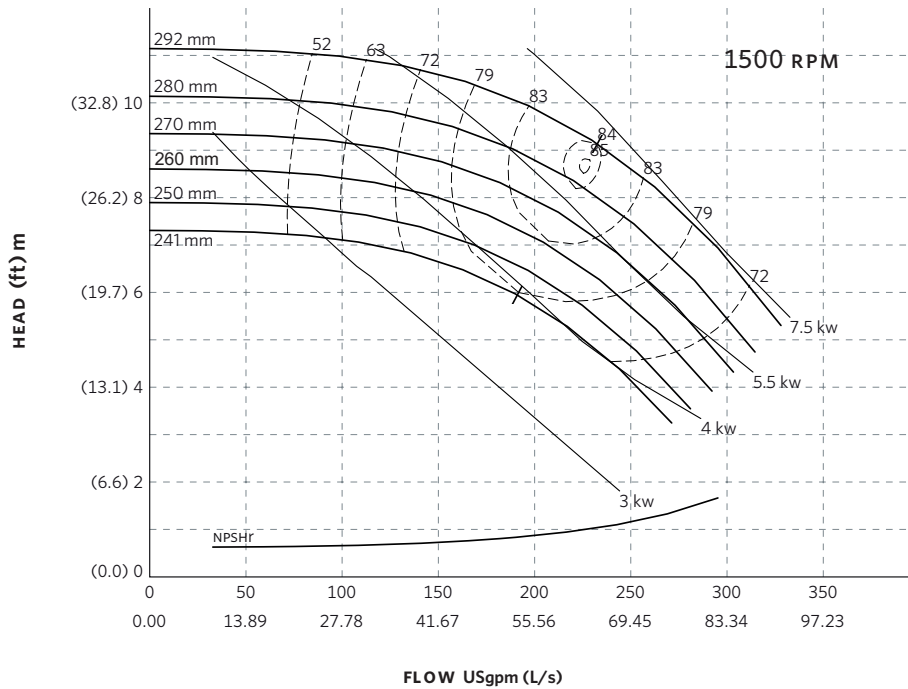
RPM
3000

BHP based on shown
Fluid's sp. gr.

Availability
4300 all ratings
4380 all ratings

Performance
guaranteed only
at operating point
indicated

Curve shown for
clear, cold water
- SP. GR. 1.000



Curve number
PT113-1-0-1000

Series
4300
4380

Size
200-290A

RPM
1500

BHP based on shown
Fluid's sp. gr.

Availability
4300 all ratings
4380 all ratings

Performance
guaranteed only
at operating point
indicated

Curve shown for
clear, cold water
- SP. GR. 1.000

Performance curves are for reference only.
Confirm current performance data with Armstrong ACE Online selection software.

TORONTO

23 BERTRAND AVENUE
TORONTO, ONTARIO
CANADA
M1L 2P3
+1 416 755 2291

BUFFALO

93 EAST AVENUE
NORTH TONAWANDA, NEW YORK
U.S.A.
14120-6594
+1 716 693 8813

BIRMINGHAM

HEYWOOD WHARF, MUCKLOW HILL
HALESOWEN, WEST MIDLANDS
UNITED KINGDOM
B62 8DJ
+44 (0) 8444 145 145

MANCHESTER

WOLVERTON STREET
MANCHESTER
UNITED KINGDOM
M11 2ET
+44 (0) 8444 145 145

BANGALORE

#59, FIRST FLOOR, 3RD MAIN
MARGOSA ROAD, MALLESWARAM
BANGALORE, INDIA
560 003
+91 (0) 80 4906 3555

SHANGHAI

NO. 1619 HU HANG ROAD, XI DU TOWNSHIP
FENG XIAN DISTRICT, SHANGHAI
P.R.C.
201401
+86 21 3756 6696

SÃO PAULO

RUA JOSÉ SEMIÃO RODRIGUES AGOSTINHO,
1370 GALPÃO 6
EMBU DAS ARTES
SAO PAULO, BRAZIL
+55 11 4781 5500

ARMSTRONG FLUID TECHNOLOGY
ESTABLISHED 1934

ARMSTRONGFLUIDTECHNOLOGY.COM

**MAKING
ENERGY
MAKE
SENSE™**