

SERIES 4380 | CLOSED-COUPLED VERTICAL IN-LINE | 80-330A (3×3×13) | SUBMITTAL

File No: 43.742L
Date: APRIL 04, 2016
Supersedes: NEW
Date: NEW

Job: _____ Representative: _____
 _____ Order no.: _____ Date: _____
 Engineer: _____ Submitted by: _____ Date: _____
 Contractor: _____ Approved by: _____ Date: _____

PUMP DESIGN DATA

No. of pumps: _____ Tag: _____
 Capacity: _____ m³/h (USgpm) Head: _____ m(ft)
 Liquid: _____ Viscosity: _____
 Temperature: _____ °C (°F) Specific gravity: _____
 Suction: 80mm (3") Discharge: 80mm (3")

MATERIALS OF CONSTRUCTION

| DIN FLANGE RATING | PN 16 | PN 25 |
|---------------------|-----------------------------|------------------------------|
| Construction | <input type="checkbox"/> BF | <input type="checkbox"/> DBF |
| Casing | Cast iron | Ductile iron |
| Adapter | Cast iron | Ductile iron |

Impeller: Bronze

Gasket: Confined non-asbestos fiber

Shaft: Carbon steel

Shaft sleeve: Bronze

Flush line: Braided stainless steel

MECHANICAL SEAL DATA

Seal type: 2A **Stationary seat:** Silicone carbide
Secondary seal: EPDM **Rotating hardware:** Stainless steel
Spring: Stainless steel

MOTOR DESIGN DATA

kW: _____ RPM: _____
 Frame size: _____ Enclosure: _____
 Volts: _____ Hertz: 50 Hz Phase: 3
 Efficiency: IE1 IE2 IE3

MAXIMUM PUMP OPERATING CONDITIONS

PN 16

12 bars at 65°C (175 psig at 150°F)
 10 bars at 121°C (140 psig at 250°F)

PN 25

20 bars at 65°C (300 psig at 150°F)
 17 bars at 121°C (250 psig at 250°F)

- Tolerance of ±3 mm (±0.125") should be used
- For exact installation, data please write factory for certified dimensions
- Pump equipped with casing drain plug and ¼" NPT suction and discharge gauge ports.
- See performance curves on page 3

OPTIONAL EQUIPMENT

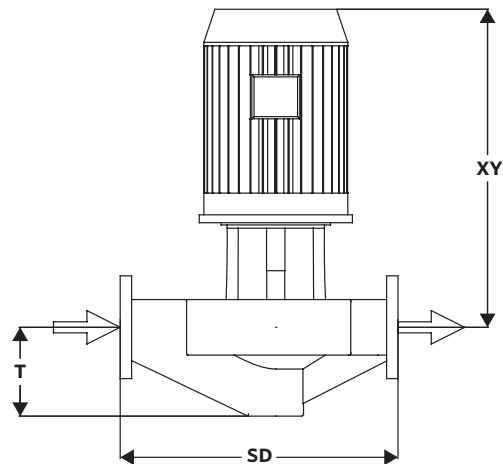
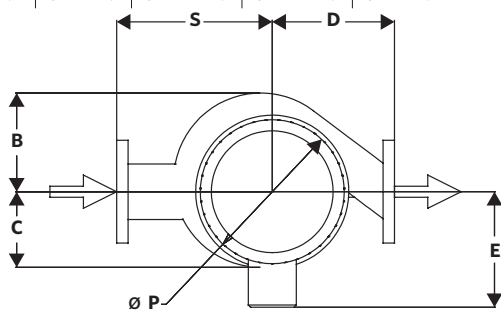
| FLUID TYPE | ALL GLYCOLS > 30% WT CONC | | ALL OTHER NON-POTABLE FLUIDS | | POTABLE (DRINKING) WATER | |
|-----------------------|---------------------------|-------------------|------------------------------|------------------------|--------------------------|-------------------|
| Temperature | up to 93°C (200°F) | over 93°C (200°F) | up to 93°C (200°F) | over 93°C (200°F) | up to 93°C (200°F) | over 93°C (200°F) |
| Rotating face | Silicone carbide | | Resin bonded carbon | Antimony loaded carbon | Resin bonded carbon | |
| Seat elastomer | EPDM (L-cup) | EPDM (O-ring) | EPDM (L-cup) | EPDM (O-ring) | EPDM (L-cup) | EPDM (O-ring) |
| Material code | SCSc L EPSS 2A | SCSc O EPSS 2A | C-Sc L EPSS 2A | ACSc O EPSS 2A | C-Sc L EPSS 2A | C-Sc O EPSS 2A |

| MOTOR | KILOWATT @ RPM | | FULL LOAD CURRENT (A) | STARTING CURRENT (A) | | DIMENSIONS mm (inches) | | | WEIGHT |
|-------|----------------|------|-----------------------|----------------------|----------------------|------------------------|-------------|-------------|------------|
| | 3000 | 1500 | | STAR DELTA (SD) | DIRECT ON LINE (DOL) | E | P | XY | |
| 100L | — | 2.2 | 4.8 | — | 26.5 | 135 (5.31) | 194 (7.64) | 486 (19.13) | 146 (322) |
| 100L | — | 3 | 6.4 | — | 37.1 | 135 (5.31) | 194 (7.64) | 486 (19.13) | 150 (331) |
| 112M | — | 4 | 8.4 | 18.5 | 58.9 | 148 (5.83) | 235 (9.25) | 505 (19.89) | 158 (349) |
| 132S | — | 5.5 | 10.9 | 24.0 | 81.8 | 175 (6.89) | 280 (11.02) | 590 (23.24) | 169 (372) |
| 132M | — | 7.5 | 14.9 | 32.8 | 111.8 | 175 (6.89) | 280 (11.02) | 613 (24.14) | 177 (389) |
| 160M | — | 11 | 21.9 | 50.4 | 168.6 | 208 (8.19) | 315 (12.40) | 628 (24.73) | 238 (524) |
| 180M | 22 | — | 40.9 | 114.5 | 368.1 | 248 (9.76) | 316 (12.44) | 731 (28.79) | 316 (697) |
| 200L | 30 | — | 55.9 | 139.8 | 436.0 | 275 (10.83) | 390 (15.35) | 940 (37.02) | 372 (820) |
| 200L | 37 | — | 68.7 | 171.8 | 535.9 | 275 (10.83) | 390 (15.35) | 940 (37.02) | 392 (864) |
| 225M | 45 | — | 81.5 | 179.3 | 570.5 | 392 (15.43) | 468 (18.43) | 975 (38.40) | 467 (1030) |

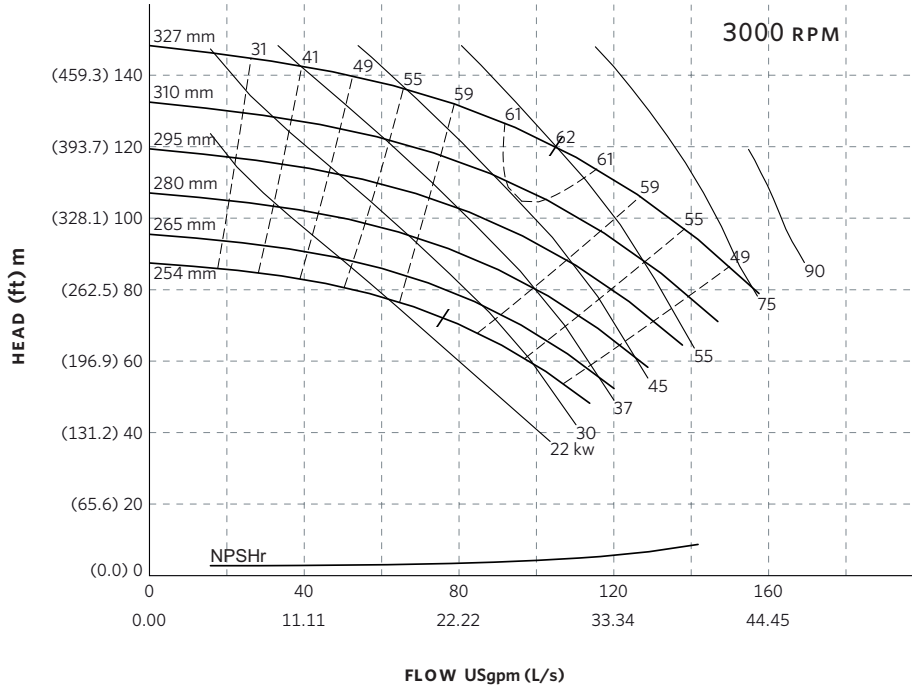
PUMP DIMENSIONS

mm (inches)

| B | C | D | S | T |
|---------------|---------------|----------------|----------------|---------------|
| 203 (8.00) | 222 (8.75) | 305 (12.00) | 343 (13.50) | 168 (6.63) |



SERIES 4380 PERFORMANCE CURVES



Curve number
PT69-1-3-3000

Series
4300
4380

Size
80-330A

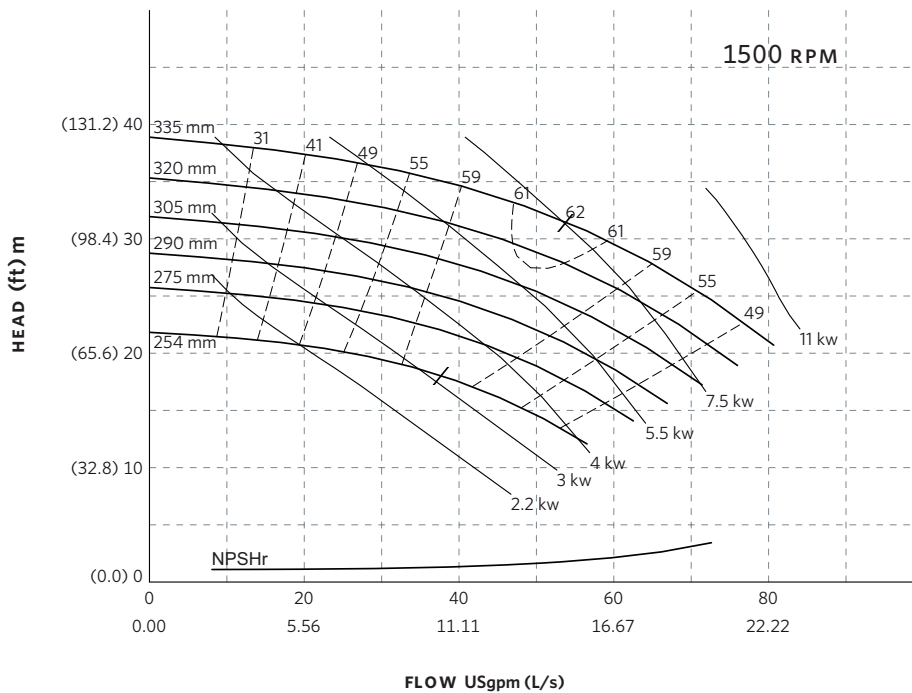
RPM
3000

BHP based on shown
Fluid's sp. gr.

Availability
4300 all ratings
4380 all ratings

Performance
guaranteed only
at operating point
indicated

Curve shown for
clear, cold water
- SP. GR. 1.000



Curve number
PT69-1-0-1500

Series
4300
4380

Size
80-330A

RPM
1500

BHP based on shown
Fluid's sp. gr.

Availability
4300 all ratings
4380 all ratings

Performance
guaranteed only
at operating point
indicated

Curve shown for
clear, cold water
- SP. GR. 1.000

Performance curves are for reference only.

Confirm current performance data with Armstrong ACE Online selection software.

TORONTO

23 BERTRAND AVENUE
TORONTO, ONTARIO
CANADA
M1L 2P3
+1 416 755 2291

BUFFALO

93 EAST AVENUE
NORTH TONAWANDA, NEW YORK
U.S.A.
14120-6594
+1 716 693 8813

BIRMINGHAM

HEYWOOD WHARF, MUCKLOW HILL
HALESOWEN, WEST MIDLANDS
UNITED KINGDOM
B62 8DJ
+44 (0) 8444 145 145

MANCHESTER

WOLVERTON STREET
MANCHESTER
UNITED KINGDOM
M11 2ET
+44 (0) 8444 145 145

BANGALORE

#59, FIRST FLOOR, 3RD MAIN
MARGOSA ROAD, MALLESWARAM
BANGALORE, INDIA
560 003
+91 (0) 80 4906 3555

SHANGHAI

NO. 1619 HU HANG ROAD, XI DU TOWNSHIP
FENG XIAN DISTRICT, SHANGHAI
P.R.C.
201401
+86 21 3756 6696

SÃO PAULO

RUA JOSÉ SEMIÃO RODRIGUES AGOSTINHO,
1370 GALPÃO 6
EMBU DAS ARTES
SAO PAULO, BRAZIL
+55 11 4781 5500

ARMSTRONG FLUID TECHNOLOGY
ESTABLISHED 1934

ARMSTRONGFLUIDTECHNOLOGY.COM

**MAKING
ENERGY
MAKE
SENSE™**