

SERIES 4600 | HORIZONTAL SPLIT CASE PUMP 8 × 6 × 15M | SUBMITTAL

File No: 46.563
Date: NOVEMBER 28, 2014
Supersedes: 46.563
Date: OCTOBER 15, 2013

Job: _____ Representative: _____

Ordered by: _____ Date: _____

Engineer: _____ Submitted by: _____ Date: _____

Approved by: _____ Date: _____

PUMP DESIGN DATA

No. of pumps: _____ Tag: _____
Capacity: _____ USgpm (L/s) Head: _____ ft (m)
Liquid: _____ Viscosity: _____
Temperature: _____ °F (°C) Specific gravity: _____
Suction: 8" (200 mm) Discharge: 6" (150 mm)

MATERIALS OF CONSTRUCTION

ANSI FLANGE RATING	ANSI 125	ANSI 250
Construction	<input type="checkbox"/> BF	<input type="checkbox"/> BF 250

Casing: Cast iron
Impeller: Bronze
Casing wear ring: Bronze
Gasket: Confined non-asbestos fiber
Bearing frame: Cast iron
Coupler guard: Steel OSHA
Anti-friction bearings: Permanently lubricated
Shaft: Carbon steel
Shaft sleeve: Bronze
Coupler: Constant speed: Woods sure-flex or equal
Variable speed: Woods dura-flex or equal
Baseplate: Fabricated steel

MECHANICAL SEAL DATA

ANSI FLANGE RATING	ANSI 125	ANSI 250
Seal type	A21	ARO
Stationary seat	Silicon carbide	Carbon
Rotating face	Carbon	Durchrome
Secondary seal	EPDM	Viton

Spring: Stainless steel
Rotating hardware: Stainless steel
Gland plate: Bronze

MOTOR DESIGN DATA

HP: _____ RPM: _____
Frame size: _____ Enclosure: _____
Volts: _____ Hertz: 60 Hz Phase: 3
Efficiency: NEMA premium 12.12 Other _____ %

MAXIMUM PUMP OPERATING CONDITIONS

ANSI 125
175 psig at 150°F (12 bars at 65°C)
140 psig at 225°F (10 bars at 107°C)

ANSI 250
300 psig at 150°F (20 bars at 65°C)
250 psig at 250°F (17 bars at 121°C)

- Tolerance of ±0.125" (±3 mm) should be used
- For exact installation, data please write factory for certified dimensions
- See performance curves on page 3

OPTIONAL EQUIPMENT

SUCTION SIDE REQUIREMENT

Important (please select)

Viewed from motor end

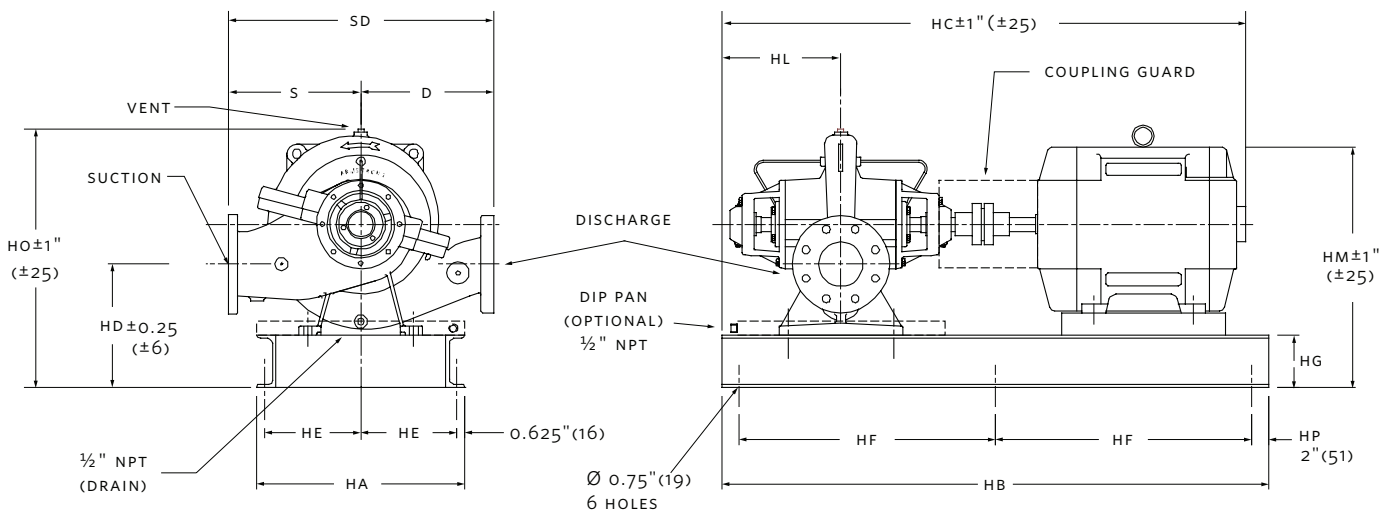
Right hand (illustrated) Left hand

MOTOR FRAME	HORSEPOWER @ RPM		1200	DIMENSIONS INCHES (mm)										WEIGHT*		
	1800			HA	HB	HC		HD	HE	HF	HG	HM		HO	lbs (kgs)	
	ODP	TEFC				ODP	TEFC					ODP	TEFC		ODP	TEFC
326TC	—	—	30	19.00 (483)	58.00 (1473)	58.94 (1497)	62.06 (1576)	10.75 (273)	8.88 (225)	27.00 (686)	4.00 (102)	24.00 (610)	24.25 (616)	26.75 (679)	1550 (703.1)	1565 (709.9)
364TC	—	—	40	19.00 (483)	64.00 (1626)	61.19 (1554)	64.34 (1634)	10.75 (273)	8.88 (225)	30.00 (762)	4.00 (102)	25.00 (635)	25.00 (635)	26.75 (679)	1793 (813.3)	1890 (857.3)
365TC	—	—	50	19.00 (483)	64.00 (1626)	61.19 (1554)	64.34 (1634)	10.75 (273)	8.88 (225)	30.00 (762)	4.00 (102)	25.00 (635)	25.00 (635)	26.75 (679)	2040 (925.3)	2067 (937.6)
404TC	100	—	—	19.00 (483)	64.00 (1626)	65.56 (1665)	69.53 (1766)	10.75 (273)	8.88 (225)	30.00 (762)	4.00 (102)	25.50 (648)	26.00 (660)	26.75 (679)	1938 (879.1)	—
405TC	125	100	—	19.00 (483)	64.00 (1626)	65.56 (1665)	69.53 (1766)	10.75 (273)	8.88 (225)	30.00 (762)	4.00 (102)	25.50 (648)	26.00 (660)	26.75 (679)	2607 (1182.5)	2262 (1026.0)
444TC	150	125	—	25.00 (635)	70.00 (1778)	71.12 (1806)	76.89 (1953)	10.75 (273)	11.88 (302)	33.00 (838)	4.00 (102)	27.00 (686)	27.00 (686)	26.75 (679)	2519 (1142.6)	2841 (1288.7)
445TC	200	150	—	25.00 (635)	70.00 (1778)	71.12 (1806)	76.89 (1953)	10.75 (273)	11.88 (302)	33.00 (838)	4.00 (102)	27.00 (686)	27.00 (686)	26.75 (679)	2790 (1265.5)	2960 (1342.6)
445TC	250	150	—	25.00 (635)	70.00 (1778)	71.12 (1806)	76.89 (1953)	10.75 (273)	11.88 (302)	33.00 (838)	4.00 (102)	27.00 (686)	27.00 (686)	26.75 (679)	2790 (1265.5)	2960 (1342.6)
447TC	—	200	—	25.00 (635)	80.00 (2032)	79.75 (2026)	86.63 (2200)	10.75 (273)	11.88 (302)	38.00 (965)	4.00 (102)	27.00 (686)	27.00 (686)	26.75 (679)	—	3063 (1389.4)
449TC	—	250	—	25.00 (635)	80.00 (2032)	79.75 (2026)	86.63 (2200)	10.75 (273)	11.88 (302)	38.00 (965)	4.00 (102)	27.00 (686)	27.00 (686)	26.75 (679)	—	3662 (1661.1)

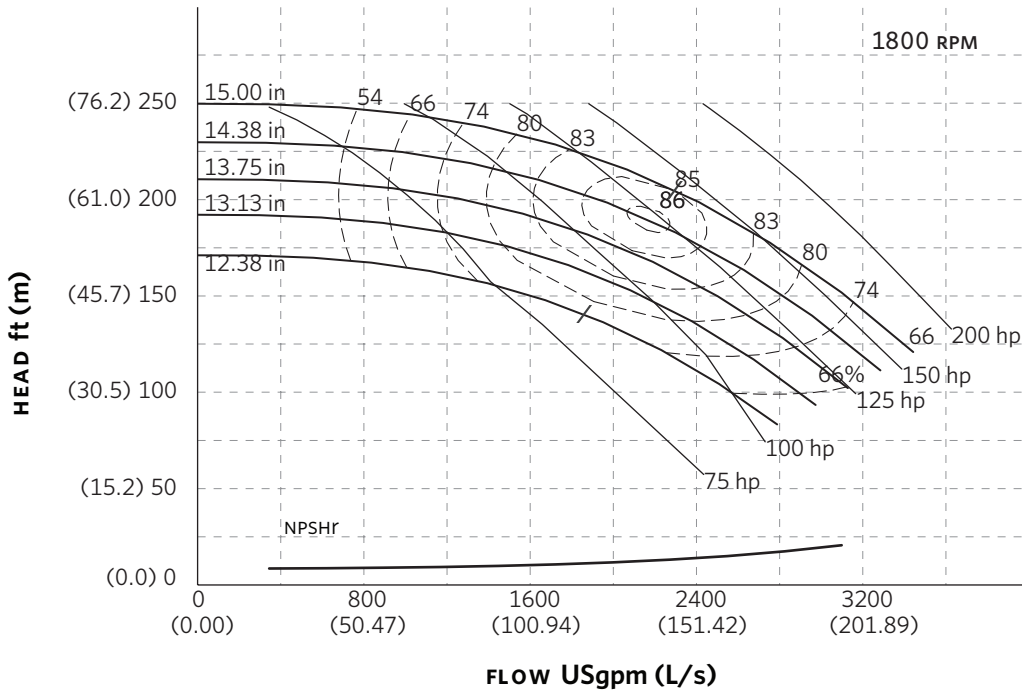
PUMP DIMENSIONS
inches (mm)

HL	S	D
13.50 (343)	15.00 (381)	15.00 (381)

*Assembly weight combines pump and motor.



SERIES 4600 PERFORMANCE CURVES



Curve number
PT161-2-0-1800

Series
4600

Size
8 × 6 × 15M

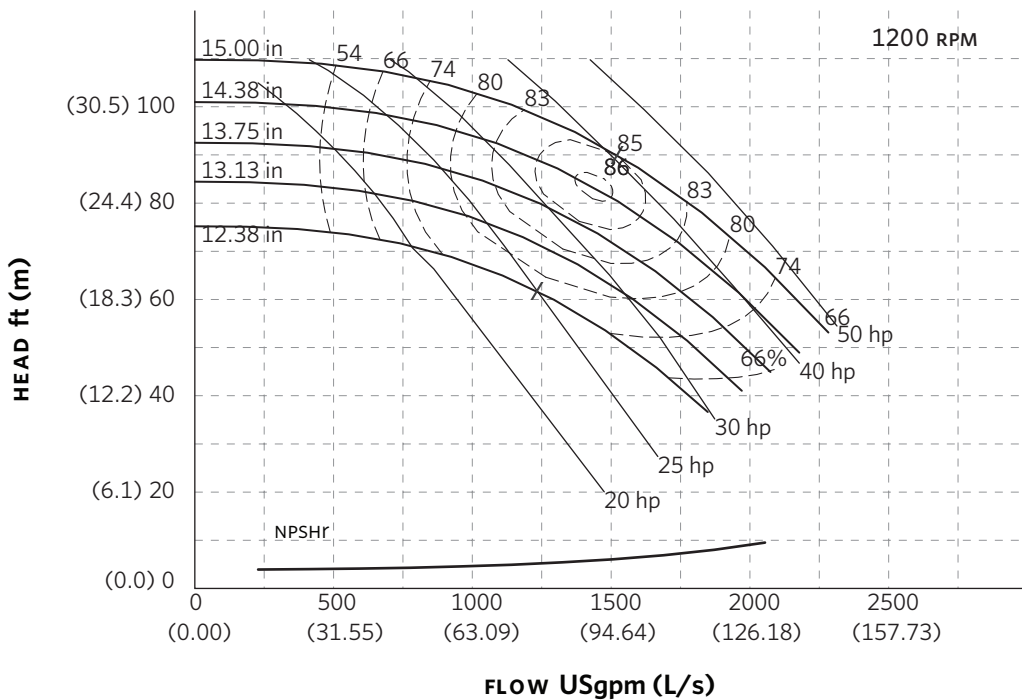
RPM
1800

BHP based on shown Fluid's sp. gr.

Availability
4600 all ratings

Performance guaranteed only at operating point indicated

Curve shown for clear, cold water
- SP. GR. 1.000



Curve number
PT161-2-0-1200

Series
4600

Size
8 × 6 × 15M

RPM
1200

BHP based on shown Fluid's sp. gr.

Availability
4600 all ratings

Performance guaranteed only at operating point indicated

Curve shown for clear, cold water
- SP. GR. 1.000

Performance curves are for reference only.
Confirm current performance data with Armstrong ACE Online selection software.

TORONTO

23 BERTRAND AVENUE
TORONTO, ONTARIO
CANADA
M1L 2P3
+1 416 755 2291

BUFFALO

93 EAST AVENUE
NORTH TONAWANDA, NEW YORK
U.S.A.
14120-6594
+1 716 693 8813

BIRMINGHAM

HEYWOOD WHARF, MUCKLOW HILL
HALESOWEN, WEST MIDLANDS
UNITED KINGDOM
B62 8DJ
+44 (0) 8444 145 145

MANCHESTER

WENLOCK WAY
MANCHESTER
UNITED KINGDOM
M12 5JL
+44 (0) 8444 145 145

BANGALORE

#59, FIRST FLOOR, 3RD MAIN
MARGOSA ROAD, MALLESWARAM
BANGALORE, INDIA
560 003
+91 (0) 80 4906 3555

SHANGHAI

NO. 1619 HU HANG ROAD, XI DU TOWNSHIP
FENG XIAN DISTRICT, SHANGHAI
P.R.C.
201401
+86 21 3756 6696

ARMSTRONG FLUID TECHNOLOGY
ESTABLISHED 1934

ARMSTRONGFLUIDTECHNOLOGY.COM

**MAKING
ENERGY
MAKE
SENSE™**