

4700 VERTICAL MULTI-STAGE PUMP | VMS 01B | SUBMITTAL

File No: 47.5011
Date: MARCH 7, 2018
Supersedes: 47.5011
Date: OCTOBER 21, 2016

Job: _____ Representative: _____

Ordered by: _____ Date: _____

Engineer: _____ Submitted by: _____ Date: _____

Contractor: _____ Approved by: _____ Date: _____

PUMP DESIGN DATA

No. of pumps: _____ Tag: _____
Capacity: _____ USgpm (L/s) Head: _____ ft (m)
Liquid: _____ Viscosity: _____
Temperature: _____ °F (°C) Specific gravity: _____
Suction: 1.25" (32mm) Discharge: 1.25" (32mm)
Maximum working temperature: 250°F (120°C)

MOTOR DESIGN DATA

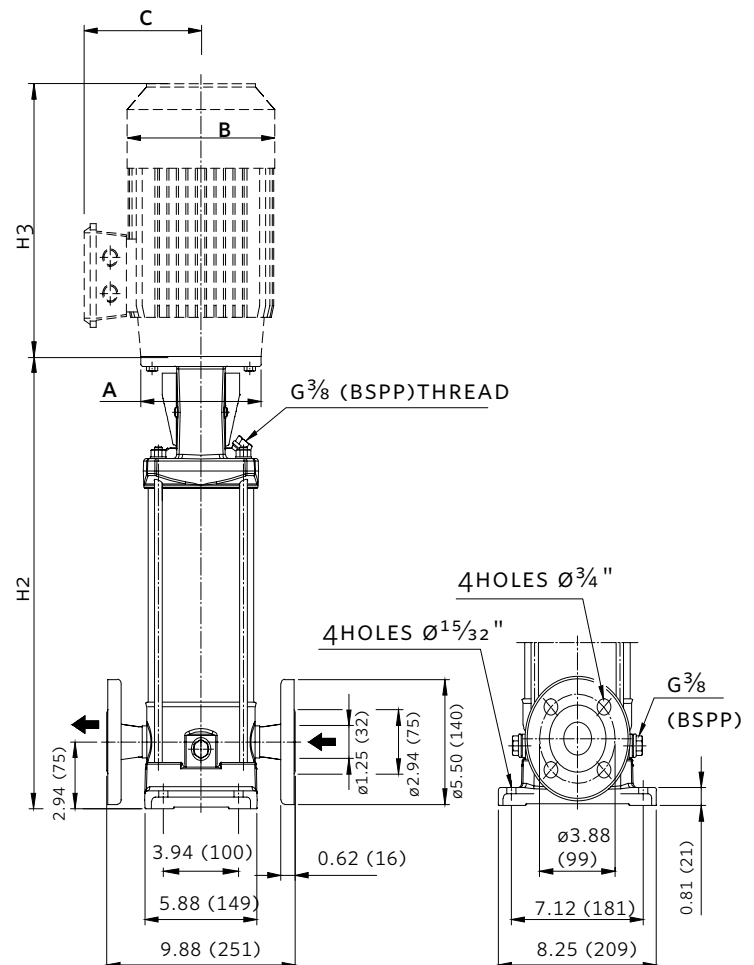
HP: _____ RPM: 3600 Frame size: _____
Enclosure: ODP TEFC Volts: _____
Hertz: 60 Hz Phase: 1 3
Efficiency*: NEMA premium 12.12 Other: _____ %

*Fractional power, frame 56 & 1-phase motors are supplied with the standard efficiency of the Manufacturer.

MATERIALS OF CONSTRUCTION

Flange rating: ANSI 300
Bottom casing: EN 1.4301 (AISI 304)
Impellers: EN 1.4301 (AISI 304)
Intermediate casing: EN 1.4301 (AISI 304)
Pump shaft: EN1.430 (AISI 304)
Shaft sleeve bearing: Tungsten carbide
O rings: FPM
Motor bracket: Cast iron EN-GJL-200-EN 1561
Pump base: Die cast aluminum
EN-AB-AISI 11Cu2(Fe)
Mechanical seal faces: Silicon carbide/Carbon/FPM

REMARKS

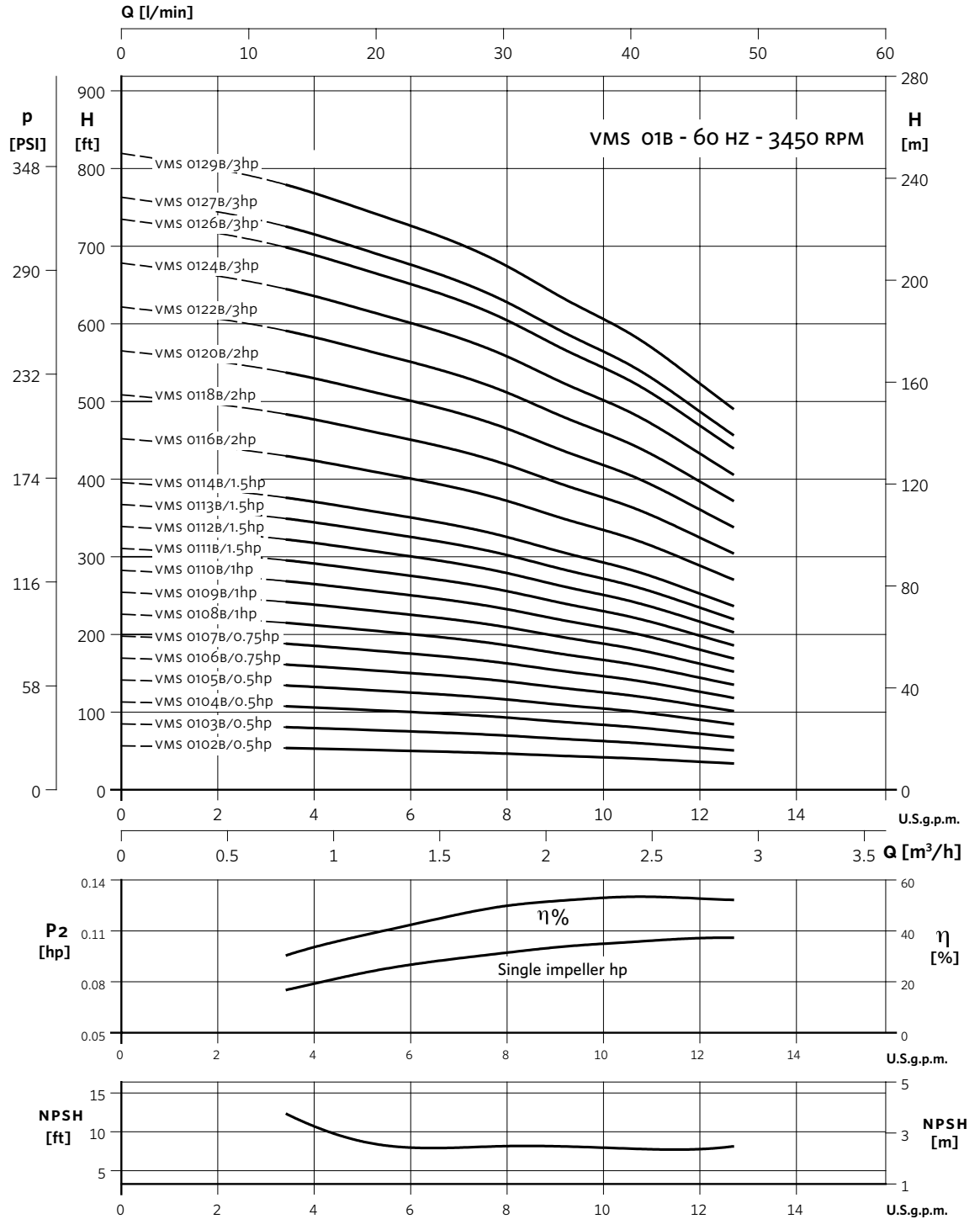


2

PUMP SIZE	HP	NEMA FRAME		MWP*	DIMENSIONS in inches(mm)										WEIGHT in lbs (kg)	
		TEFC	ODP		TEFC					ODP					TEFC	ODP
					A	B	C	H2	H3	A	B	C	H2	H3		
VMS 0102B	0.5	56c	56c	230	4.50 (114)	6.25 (159)	5.25 (133)	11.88 (302)	11.44 (291)	4.50 (114)	6.25 (159)	5.06 (129)	11.88 (302)	11.31 (287)	50 (22.7)	50 (22.7)
VMS 0103B	0.5	56c	56c	230	4.50 (114)	6.25 (159)	5.25 (133)	12.69 (322)	11.44 (291)	4.50 (114)	6.25 (159)	5.06 (129)	12.69 (322)	11.31 (287)	51 (23.1)	51 (23.1)
VMS 0104B	0.5	56c	56c	230	4.50 (114)	6.25 (159)	5.25 (133)	13.56 (344)	11.44 (291)	4.50 (114)	6.25 (159)	5.06 (129)	13.56 (344)	11.31 (287)	52 (23.6)	52 (23.6)
VMS 0105B	0.5	56c	56c	230	4.50 (114)	6.25 (159)	5.25 (133)	14.38 (365)	11.44 (291)	4.50 (114)	6.25 (159)	5.06 (129)	14.38 (365)	11.31 (287)	53 (24.0)	53 (24.0)
VMS 0106B	0.75	56c	56c	230	4.50 (114)	6.25 (159)	5.25 (133)	15.19 (386)	11.44 (291)	4.50 (114)	6.25 (159)	5.06 (129)	15.19 (386)	11.31 (287)	54 (24.5)	54 (24.5)
VMS 0107B	0.75	56c	56c	230	4.50 (114)	6.25 (159)	5.25 (133)	16.00 (406)	11.44 (291)	4.50 (114)	6.25 (159)	5.06 (129)	15.63 (397)	11.31 (287)	55 (24.9)	55 (24.9)
VMS 0108B	1	56c	56c	230	4.50 (114)	7.25 (184)	5.25 (133)	16.81 (427)	13.63 (346)	4.50 (114)	6.19 (157)	5.06 (129)	16.88 (429)	11.13 (283)	56 (25.4)	56 (25.4)
VMS 0109B	1	56c	56c	230	4.50 (114)	7.25 (184)	5.25 (133)	17.69 (449)	13.63 (346)	4.50 (114)	6.19 (157)	5.06 (129)	17.69 (449)	11.13 (283)	57 (25.9)	57 (25.9)
VMS 0110B	1	56c	56c	230	4.50 (114)	7.25 (184)	5.25 (133)	18.50 (470)	13.63 (346)	4.50 (114)	6.19 (157)	5.06 (129)	18.50 (470)	11.13 (283)	58 (26.3)	58 (26.3)
VMS 0111B	1.5	56c	56c	230	4.50 (114)	7.25 (184)	5.25 (133)	19.31 (491)	13.63 (346)	4.50 (114)	7.25 (184)	5.63 (143)	19.31 (491)	13.56 (344)	84 (38.1)	84 (38.1)
VMS 0112B	1.5	56c	56c	230	4.50 (114)	7.25 (184)	5.25 (133)	20.13 (511)	13.63 (346)	4.50 (114)	7.25 (184)	5.63 (143)	20.13 (511)	13.56 (344)	85 (38.6)	85 (38.6)
VMS 0113B	1.5	56c	56c	230	4.50 (114)	7.25 (184)	5.25 (133)	21.00 (533)	13.63 (346)	4.50 (114)	7.25 (184)	5.63 (143)	21.00 (533)	13.56 (344)	86 (39.0)	86 (39.0)
VMS 0114B	1.5	56c	56c	230	4.50 (114)	7.25 (184)	5.25 (133)	21.81 (554)	13.63 (346)	4.50 (114)	7.25 (184)	5.63 (143)	22.00 (559)	13.56 (344)	87 (39.5)	87 (39.5)
VMS 0116B	2	56c	56c	230	4.50 (114)	7.25 (184)	5.25 (133)	23.44 (595)	13.56 (344)	4.50 (114)	6.25 (159)	5.06 (129)	23.44 (595)	11.31 (287)	109 (49.4)	109 (49.4)
VMS 0118B	2	56c	56c	230	4.50 (114)	7.25 (184)	5.25 (133)	25.13 (638)	13.56 (344)	4.50 (114)	6.25 (159)	5.06 (129)	25.13 (638)	11.31 (287)	111 (50.3)	111 (50.3)
VMS 0120B	2	56c	56c	360	4.50 (114)	7.25 (184)	5.25 (133)	26.75 (679)	13.56 (344)	4.50 (114)	6.25 (159)	5.06 (129)	26.75 (679)	11.31 (287)	113 (51.3)	113 (51.3)
VMS 0122B	3	—	145C	360	—	—	—	—	—	8.50 (216)	7.25 (184)	5.75 (146)	31.94 (811)	13.94 (354)	—	122 (55.3)
VMS 0124B	3	—	145C	360	—	—	—	—	—	8.50 (216)	7.25 (184)	5.75 (146)	33.56 (852)	13.94 (354)	—	124 (56.2)
VMS 0126B	3	—	145C	360	—	—	—	—	—	8.50 (216)	7.25 (184)	5.75 (146)	35.25 (895)	13.94 (354)	—	126 (57.2)
VMS 0127B	3	—	145C	360	—	—	—	—	—	8.50 (216)	7.25 (184)	5.75 (146)	36.06 (916)	13.94 (354)	—	127 (57.6)
VMS 0129B	3	—	145C	360	—	—	—	—	—	8.50 (216)	7.25 (184)	5.75 (146)	37.69 (957)	13.94 (354)	—	129 (58.5)

All dimensions are in inches (mm) and are approximate.
*Maximum Working Pressure in psi

4700 PERFORMANCE CURVES



Performance curves are for reference only.

TORONTO

23 BERTRAND AVENUE
TORONTO, ONTARIO
CANADA
M1L 2P3
+1 416 755 2291

BUFFALO

93 EAST AVENUE
NORTH TONAWANDA, NEW YORK
U.S.A.
14120-6594
+1 716 693 8813

BIRMINGHAM

HEYWOOD WHARF, MUCKLOW HILL
HALESOWEN, WEST MIDLANDS
UNITED KINGDOM
B62 8DJ
+44 (0) 8444 145 145

MANCHESTER

WOLVERTON STREET
MANCHESTER
UNITED KINGDOM
M11 2ET
+44 (0) 8444 145 145

BANGALORE

#59, FIRST FLOOR, 3RD MAIN
MARGOSA ROAD, MALLESWARAM
BANGALORE, INDIA
560 003
+91 (0) 80 4906 3555

SHANGHAI

NO. 1619 HU HANG ROAD, XI DU TOWNSHIP
FENG XIAN DISTRICT, SHANGHAI
P.R.C.
201401
+86 21 3756 6696

SÃO PAULO

RUA JOSÉ SEMIÃO RODRIGUES AGOSTINHO,
1370 GALPÃO 6
EMBU DAS ARTES
SAO PAULO, BRAZIL
+55 11 4781 5500

ARMSTRONG FLUID TECHNOLOGY
ESTABLISHED 1934

ARMSTRONGFLUIDTECHNOLOGY.COM

MAKING
ENERGY
MAKE
SENSE™