

## Series 4700 Vertical Multi-Stage Pump

## VMS 32

## SUBMITTAL



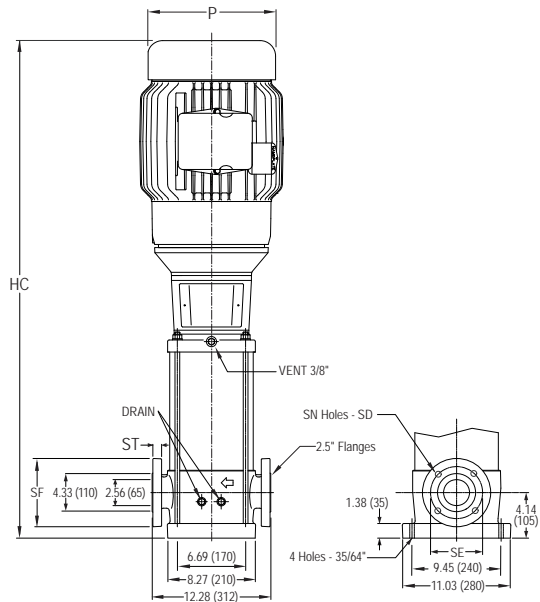
JOB: _____	REPRESENTATIVE: _____
ENGINEER: _____	ORDER NO: _____ DATE: _____
CONTRACTOR: _____	SUBMITTED BY: _____ DATE: _____
	APPROVED BY: _____ DATE: _____

PUMP DESIGN DATA			
NO. OF PUMPS: _____			
TAG: _____			
CAPACITY:	USgpm (L/s)	HEAD:	ft. (m)
LIQUID:		VISCOSITY:	
TEMPERATURE:		SPECIFIC GRAVITY:	
FLANGE SIZE:	SUCTION - 2.5" (63 mm)	DISCHARGE - 2.5" (63 mm)	
MAXIMUM WORKING TEMPERATURE: 250°F (120°C)			

MOTOR DESIGN DATA			
HP:		RPM:	3000
FRAME SIZE:		ENCLOSURE:	<input type="checkbox"/> ODP <input type="checkbox"/> TEFC
VOLTS:	HERTZ : 50	PHASE:	<input type="checkbox"/> 1 <input type="checkbox"/> 3
EFFICIENCY: <input type="checkbox"/> ENERGY EFF <input type="checkbox"/> NEMA PREMIUM LEVEL _____ %			

MATERIALS OF CONSTRUCTION	
FLANGE RATING	ANSI 150
	ANSI 300
PUMP CASING	CAST IRON
IMPELLERS	EN 1.4301 (AISI 304)
STAGE CASING	EN 1.4301 (AISI 304)
DIFFUSERS	EN 1.4301 (AISI 304)
PUMP SHAFT	EN 1.4401 (AISI 316)
JACKET TUBE	EN 1.4301 (AISI 304)
OTHER COMPONENTS	
INTERMEDIATE BEARING	TUNGSTEN CARBIDE
"O" RINGS	FPM
MOTOR PEDESTAL	Cast iron EN-GJL-200-EN 1561
PUMP BASE	Cast iron EN-GJL-200-EN 1561
MECHANICAL SEAL FACES	Silicon carbide/Carbon/FPM

REMARKS



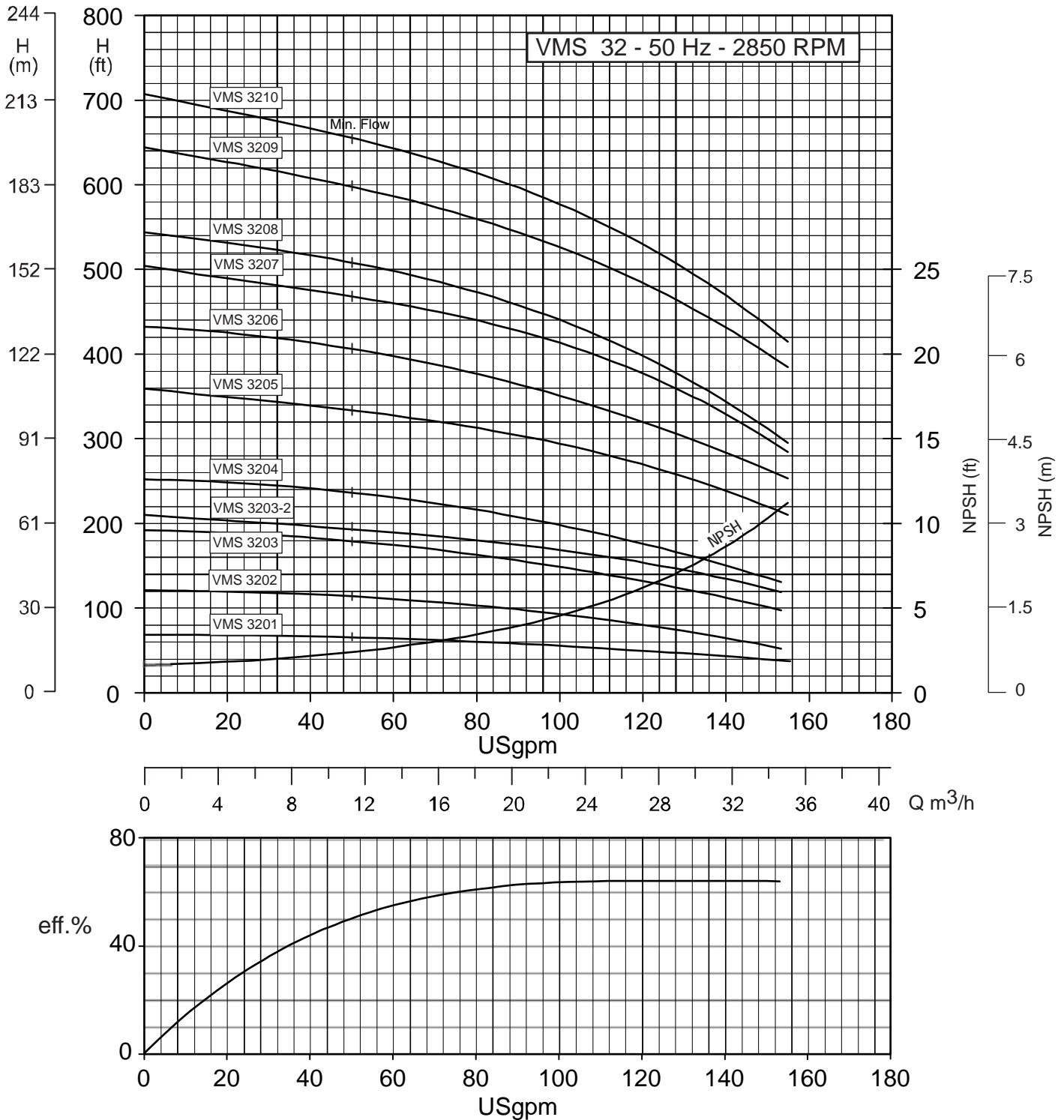
PUMP SIZE	hp	NEMA FRAME	Flange Rating	MWP *	DIMENSIONS							WEIGHT lbs. (kg)
					HC	P	ST	SF	SD	SN	SE	
VMS 3201	3	184TC	ANSI 150	232	36.24 (920)	10.38 (264)	0.84 (21)	7.00 (178)	0.78 (20)	4	5.50 (140)	186
VMS 3202-2	5	184TC			39.24 (997)	10.38 (264)						201
VMS 3203-2	7.5	215TC			42.25 (1073)	11.25 (286)						289
VMS 3203	7.5	215TC			47.41 (1204)	11.25 (286)						291
VMS 3204-3	10	215TC			49.30 (1252)	11.25 (286)						301
VMS 3205	15	256TC	ANSI 300	370	55.08 (1399)	13.38 (340)	1.06 (27)	7.50 (191)	0.75 (19)	8	5.88 (149)	340
VMS 3206	20	284TSC			59.50 (1511)	15.31 (389)						434
VMS 3207	20	286TSC			61.39 (1559)	15.31 (389)						441
VMS 3208-3	20	286TSC		63.28 (1607)	15.31 (389)	459						
VMS 3209	25	324TSC		65.77 (1670)	15.92 (404)	617						
VMS 3210-1	30	324TSC		67.66 (1718)	15.92 (404)	633						

All dimensions are in inches (mm) and are approximate.

\*Maximum Working Pressure



# PERFORMANCE CURVES



**S. A. Armstrong Limited**  
 23 Bertrand Avenue  
 Toronto, Ontario  
 Canada, M1L 2P3  
 T: (416) 755-2291  
 F (Main): (416) 759-9101

**Armstrong Pumps Inc.**  
 93 East Avenue  
 North Tonawanda, New York  
 U.S.A. 14120-6594  
 T: (716) 693-8813  
 F: (716) 693-8970

**Armstrong Holden Brooke Pullen**  
 Wenlock Way  
 Manchester  
 United Kingdom, M12 5JL  
 T: +44 (0) 161 223 2223  
 F: +44 (0) 161 220 9660



© S.A. Armstrong Limited 2010

For Armstrong locations worldwide, please visit [www.armstrongintegrated.com](http://www.armstrongintegrated.com)