

Vertical Multistage Pumps

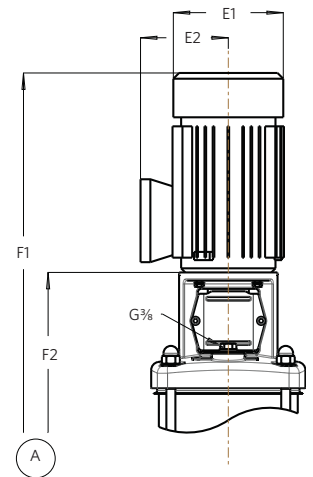
VMS 10 - 50Hz - 2 pole - DIN

SUBMITTAL

JOB: _____	REPRESENTATIVE: _____
_____	_____
ENGINEER: _____	ORDER NO: _____ DATE: _____
CONTRACTOR: _____	SUBMITTED BY: _____ DATE: _____
_____	APPROVED BY: _____ DATE: _____

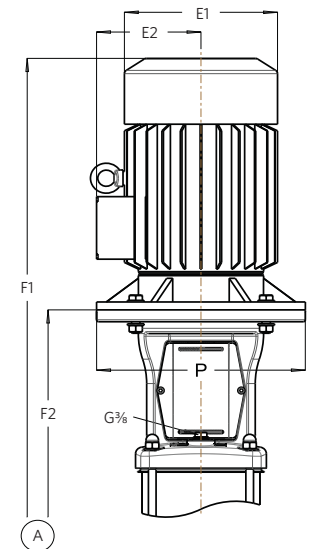
V Long coupled motor construction type; V18

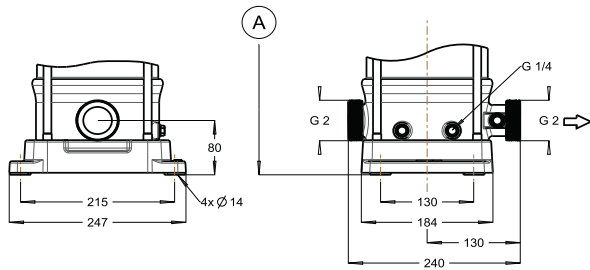
CONNECTION	MIN. PRESSURE CLASS OPTIONS	MOTOR DIMENSIONS			VMS(S)-/E/V/T			VMS(C/S)F		
MODEL		kW	E1	E2	F1	F2	WEIGHT	F1	F2	WEIGHT
10/1	PN10	0.75	160	150	621	346	32	621	346	36
10/2		0.75	160	150	621	346	33	621	346	36
10/3		1.1	160	150	647	372	36	647	372	39
10/4		1.5	185	160	679	409	41	679	409	45
10/5		2.2	185	160	720	435	45	720	435	48
10/6		2.2	185	160	747	462	45	747	462	49
10/7		3.0	205	175	828	498	54	828	498	58
10/8		3.0	205	175	855	525	55	855	525	59
10/9		4.0	205	175	891	551	62	891	551	65
10/10		PN25	4.0	205	175	918	578	63	918	578
10/11	4.0		205	175	944	604	64	944	604	67



V1 motor

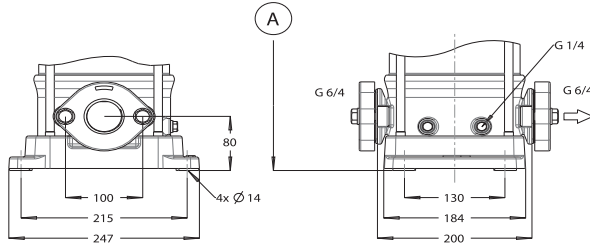
CONNECTION	MIN. PRESSURE CLASS OPTIONS	MOTOR DIMENSIONS				VMS(S)-/E/V/T			VMS(C/S)F		
MODEL		kW	E1	E2	P	F1	F2	WEIGHT	F1	F2	WEIGHT
10/13	PN25	5.5	260	220	300	1102	737	104	1102	737	108
10/15		5.5	260	220	300	1155	790	108	1155	790	112
10/17		7.5	260	220	300	1208	843	116	1208	843	118
10/19		7.5	260	220	300	1261	896	118	1261	896	120
10/21		7.5	260	220	300	1314	949	120	1314	949	122





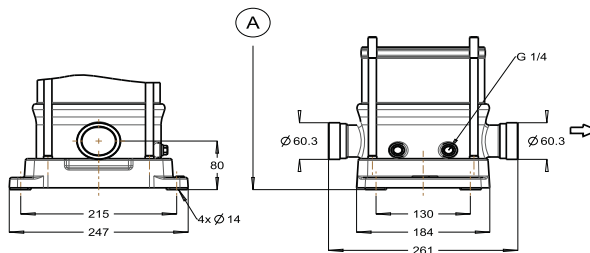
VMS E Male thread -

With non return valve insert at discharge side and pressure measurement plug at upstream side
 Norm: G EN ISO 228
 Size: G 2
 Pressure Class: PN16
 Option: Base plate in cast SS 1.4308



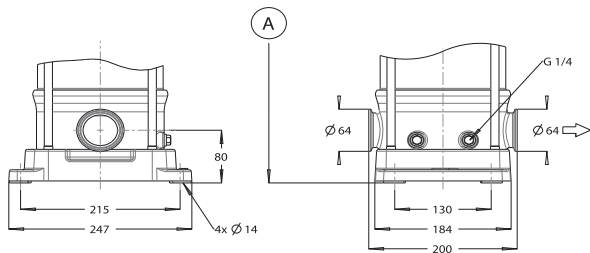
VMS (S)

Counter flange with female thread included
 DPV: Cataphoric coated cast iron
 DPVS: Cast Stainless steel 1.4408
 Norm: G EN ISO 228
 Size: G 6/4
 Pressure Class: PN16
 Option: Flange and base plate in SS1.4308



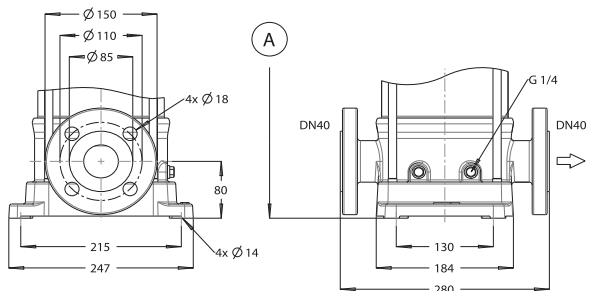
VMS (S) V Victaulic

Norm: -
 Size: 60.3
 Pressure Class: PN25
 Option: Base plate in SS 1.4308



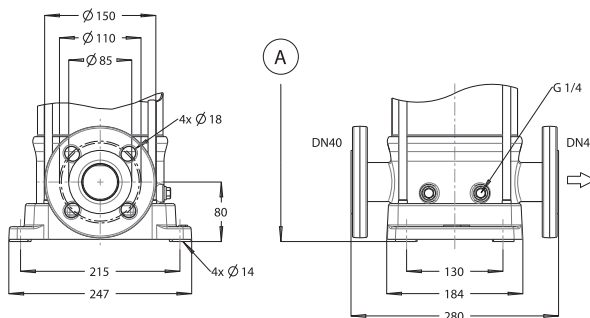
VMS S T Tri-Clamp

Norm: 32676
 Size: Ø64
 Pressure Class: PN416
 Option: Baseplate in cast SS 1.4308



VMS C F Cast Iron Flange

Norm: EN 1092-1/1092-2
 Size: NW40
 Pressure Class: PN40



VMS (S) F Round collar flange

Cataphoric coated collar flange
 Norm: EN 1092-1/1092-2
 Size: NW40
 Pressure Class: PN40
 Option: Collar flange and/or base plate in cast SS 1.4308

ARMSTRONG INTEGRATED LIMITED

Wenlock Way
 Manchester
 United Kingdom, M12 5JL
T: +44 (0) 8444 145 145
F: +44 (0) 8444 145 146

S. A. ARMSTRONG LIMITED

23 Bertrand Avenue
 Toronto, Ontario
 Canada, M1L 2P3
T: 416 755 2291
F: 416 759 9101