

## Vertical Multistage Pumps

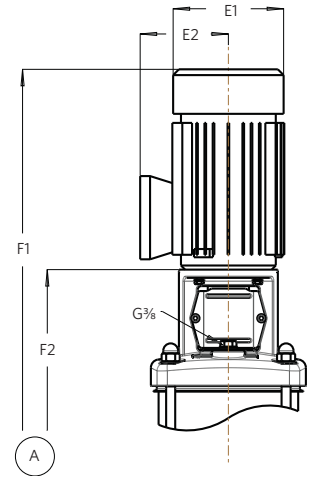
## VMS 10 - 50 Hz - 4 pole - DIN

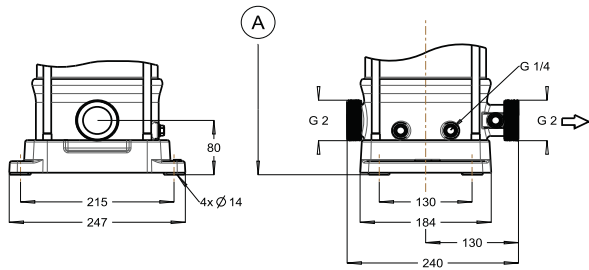
## SUBMITTAL

JOB: _____	REPRESENTATIVE: _____
_____	_____
ENGINEER: _____	ORDER NO: _____ DATE: _____
CONTRACTOR: _____	SUBMITTED BY: _____ DATE: _____
	APPROVED BY: _____ DATE: _____

### V Long coupled motor construction type; V18

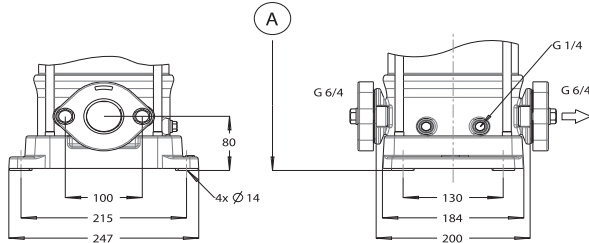
CONNECTION	MIN. PRESSURE CLASS OPTIONS	MOTOR DIMENSIONS			VMS(S)-/E/V/T			VMS(C/S)F		
MODEL		kW	E1	E2	F1	F2	WEIGHT	F1	F2	WEIGHT
10/1	PN10	0.55	138.5	110	592	346	35	592	346	38
10/2		0.55	138.5	110	592	346	35	592	346	38
10/3		0.55	138.5	110	618	372	36	618	372	39
10/4		0.55	138.5	110	645	399	37	645	399	41
10/5		0.55	138.5	110	671	425	38	671	425	42
10/6		0.55	138.5	110	698	452	39	698	452	43
10/7		0.55	138.5	110	724	478	40	724	478	44
10/8		0.55	138.5	110	750	505	41	750	505	45
10/9		0.55	138.5	110	777	531	43	777	531	46
10/10		0.55	138.5	110	804	558	44	804	558	47
10/11		0.55	138.5	110	830	584	45	830	584	48
10/13		0.75	159	155	912	672	62	912	672	65
10/15		1.1	159	155	970	700	67	970	700	71
10/17		1.1	159	155	1023	753	71	1023	753	73
10/19		1.1	159	155	1076	806	73	1076	806	75
10/21		1.1	159	155	1129	859	75	1129	859	77





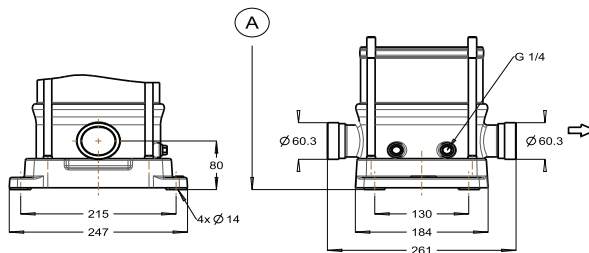
### VMS E Male thread -

With non return valve insert at discharge side and pressure measurement plug at upstream side  
 Norm: G EN ISO 228  
 Size: G 2  
 Pressure Class: PN16  
 Option: Base plate in cast SS 1.4308



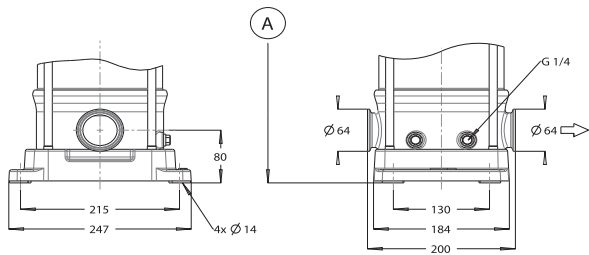
### VMS (S)

Counter flange with female thread included  
 DPV: Cataphoric coated cast iron  
 DPVS: Cast Stainless steel 1.4408  
 Norm: G EN ISO 228  
 Size: G 6/4  
 Pressure Class: PN16  
 Option: Flange and base plate in SS1.4308



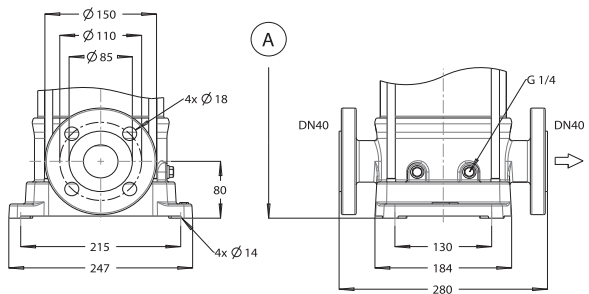
### VMS (S) V Victaulic

Norm: -  
 Size: 60.3  
 Pressure Class: PN25  
 Option: Base plate in SS 1.4308



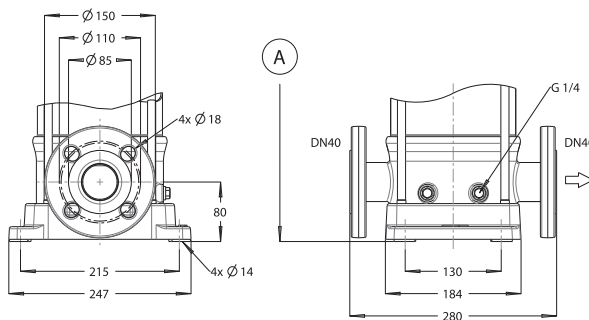
### VMS S T Tri-Clamp

Norm: 32676  
 Size: Ø64  
 Pressure Class: PN416  
 Option: Baseplate in cast SS 1.4308



### VMS C F Cast Iron Flange

Norm: EN 1092-1/1092-2  
 Size: NW40  
 Pressure Class: PN40



### VMS (S) F Round collar flange

Cataphoric coated collar flange  
 Norm: EN 1092-1/1092-2  
 Size: NW40  
 Pressure Class: PN40  
 Option: Collar flange and/or base plate in cast SS 1.4308

#### ARMSTRONG INTEGRATED LIMITED

Wenlock Way  
 Manchester  
 United Kingdom, M12 5JL  
**T:** +44 (0) 8444 145 145  
**F:** +44 (0) 8444 145 146

#### S. A. ARMSTRONG LIMITED

23 Bertrand Avenue  
 Toronto, Ontario  
 Canada, M1L 2P3  
**T:** 416 755 2291  
**F:** 416 759 9101