

## Vertical Multistage Pumps

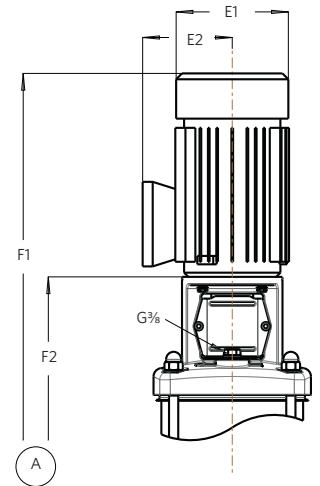
## VMS 15 - 50 Hz - 2 pole - DIN

## SUBMITTAL

JOB: _____	REPRESENTATIVE: _____
_____	_____
ENGINEER: _____	ORDER NO: _____ DATE: _____
CONTRACTOR: _____	SUBMITTED BY: _____ DATE: _____
_____	APPROVED BY: _____ DATE: _____

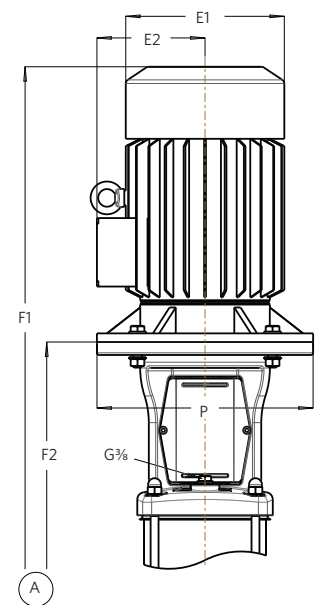
### V Long coupled motor construction type; V18

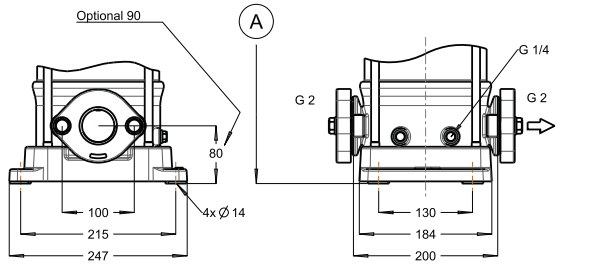
MODEL	PRESSURE CLASS	POWER	MOTOR DIMENSIONS		VMS(S)-V/T			VMS(C/S)F		
MODEL		kW	E1	E2	F1	F2	WEIGHT	F1	F2	WEIGHT
15/1	PN10	1.1	160	150	621	346	34	631	356	40
15/2		2.2	185	160	641	356	41	651	366	47
15/3		3	205	175	722	392	50	732	402	56
15/4		4	205	175	759	419	56	769	429	62



### V Long coupled motor construction type; V18

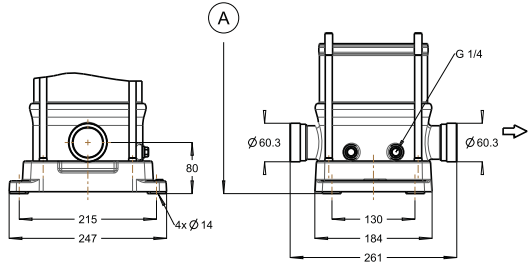
MODEL	PRESSURE CLASS	POWER	MOTOR DIMENSIONS			VMS(S)-V/T			VMS(C/S)F		
MODEL		kW	E1	E2	P	F1	F2	WEIGHT	F1	F2	WEIGHT
15/5	PN25	5.5	260	220	300	890	525	95	900	535	101
15/6		5.5	260	220	300	916	551	96	926	561	102
15/7		7.5	260	220	300	943	578	101	953	588	107
15/8		7.5	260	220	300	969	604	103	979	614	109
15/9		11	315	265	350	1159	661	180	1169	671	186
15/10		11	315	265	350	1185	687	181	1195	697	187
15/11		11	315	265	350	1222	724	185	1222	724	188
15/13		15	315	265	350	1275	777	200	1275	777	203
15/15		15	315	265	350	1328	830	202	1328	830	205
15/17		15	315	265	350	1381	883	204	1318	883	207





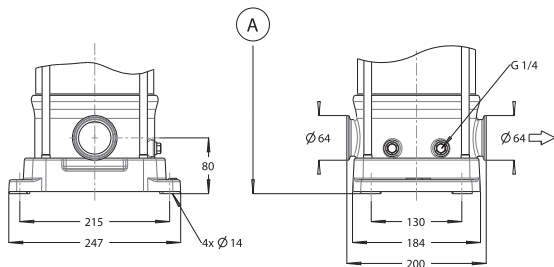
### VMS (S)

Counter flange with female thread included  
 DPV: Cataphoric coated cast iron  
 DPVS: Cast Stainless steel 1.4408  
 Norm: G EN ISO 228  
 Size: G 2  
 Pressure Class: PN16  
 Option: Flange and base plate in SS1.4308



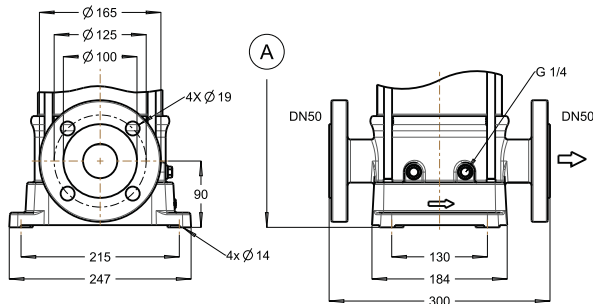
### VMS (S) V Victaulic

Norm: -  
 Size: 60.3  
 Pressure Class: PN25  
 Option: Base plate in SS 1.4308



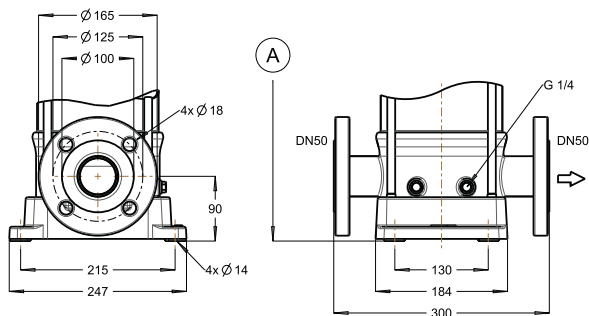
### VMS S T Tri-Clamp

Norm: 32676  
 Size: Ø64  
 Pressure Class: PN416  
 Option: Baseplate in cast SS 1.4308



### VMS C F Cast Iron Flange

Norm: EN 1092-1/1092-2  
 Size: NW50  
 Pressure Class: PN40



### VMS (S) F Round collar flange

Cataphoric coated collar flange  
 Norm: EN 1092-1/1092-2  
 Size: NW50  
 Pressure Class: PN40  
 Option: Collar flange and/or base plate in cast SS 1.4308

#### ARMSTRONG INTEGRATED LIMITED

Wenlock Way  
 Manchester  
 United Kingdom, M12 5JL  
**T:** +44 (0) 8444 145 145  
**F:** +44 (0) 8444 145 146

#### S. A. ARMSTRONG LIMITED

23 Bertrand Avenue  
 Toronto, Ontario  
 Canada, M1L 2P3  
**T:** 416 755 2291  
**F:** 416 759 9101