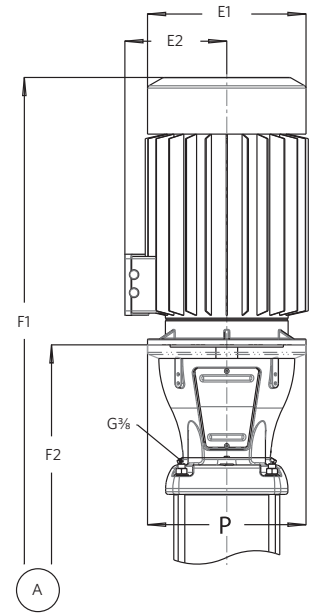
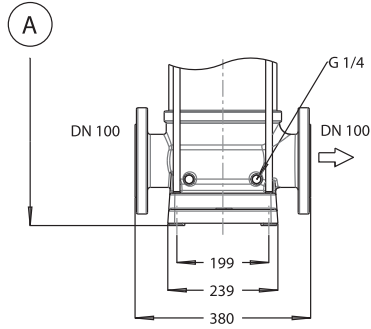
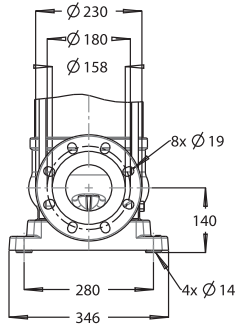


Vertical Multistage Pumps VMS(C/S) F 85 B - 2 pole - DIN SUBMITTAL

JOB: _____	REPRESENTATIVE: _____
_____	_____
ENGINEER: _____	ORDER NO: _____ DATE: _____
CONTRACTOR: _____	SUBMITTED BY: _____ DATE: _____
	APPROVED BY: _____ DATE: _____

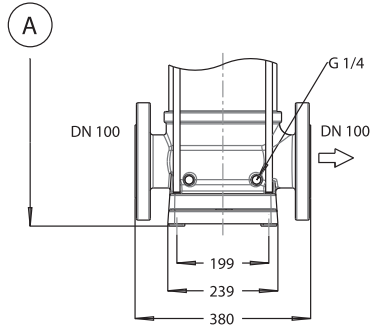
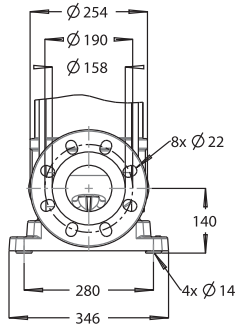
CONNECTION	MIN. PRESSURE CLASS OPTIONS	MOTOR DIMENSIONS			VMS(C/S)F		UNIT WEIGHT
		MODEL	kW	E1	E2	F1	F2
85/1-1	PN10	5.5	233	162	970	641	143.0
85/1		7.5	233	162	998	641	147.1
85/2-2		11	315	206	1282	780	233.8
85/2-1		15	315	206	1282	780	247.9
85/2		15	315	206	1282	780	248.0
85/3-2		18.5	315	206	1435	889	275.6
85/3-1		22	350	225	1484	889	311.6
85/3		22	350	225	1484	889	311.7
85/4-2	PN16	30	400	290	1648	998	406.1
85/4-1		30	400	290	1648	998	406.2
85/4		30	400	290	1648	998	406.3
85/5-2		37	400	290	1757	1107	437.7
85/5-1		37	400	290	1757	1107	437.8
85/5		37	400	290	1757	1107	437.9
85/6-2	PN25	45	466	373	1923	1216	574.4
85/6-1		45	466	373	1923	1216	574.5
85/6		45	466	373	1923	1216	574.6





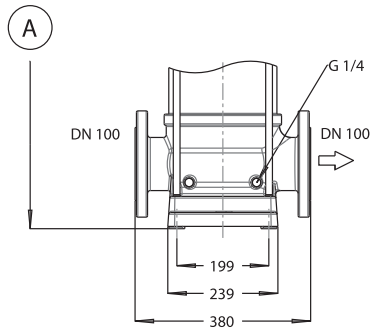
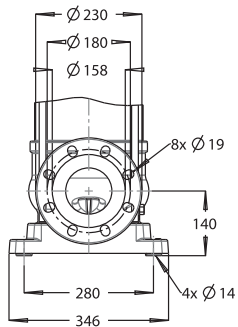
VMS C F Cast Iron Flange

Norm: DIN 2633
Size: NW100
Pressure Class: PN16



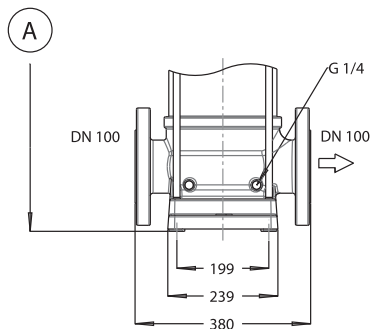
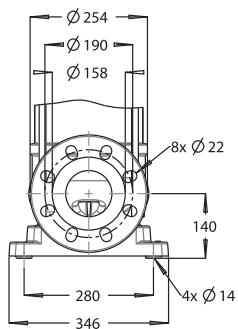
VMS C F Cast Iron Flange

Norm: DIN 2633
Size: NW100
Pressure Class: PN25/40



VMS (S) F Round collar flange

Cataphoric coated collar flange
Norm: DIN 2633
Size: NW100
Pressure Class: PN16
Option: Collar flange and baseplate in cast SS1.4308



VMS (S) F Round collar flange

Cataphoric coated collar flange
Norm: DIN 2633
Size: NW100
Pressure Class: PN25/40
Option: Collar flange and baseplate in cast SS1.4308

ARMSTRONG INTEGRATED LIMITED

Wenlock Way
Manchester
United Kingdom, M12 5JL
T: +44 (0) 8444 145 145
F: +44 (0) 8444 145 146

S. A. ARMSTRONG LIMITED

23 Bertrand Avenue
Toronto, Ontario
Canada, M1L 2P3
T: 416 755 2291
F: 416 759 9101