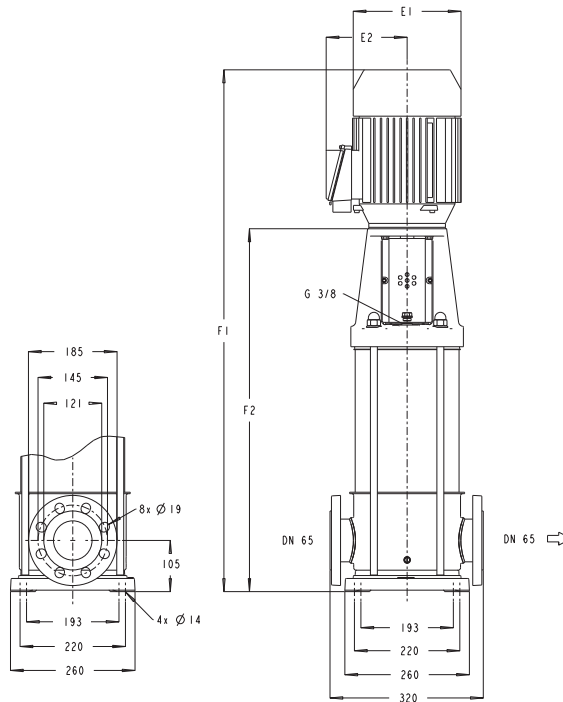


## Vertical Multistage Pumps

## VMS(S) F 32 50 Hz

## SUBMITTAL

JOB: _____	REPRESENTATIVE: _____
ENGINEER: _____	ORDER NO: _____ DATE: _____
CONTRACTOR: _____	SUBMITTED BY: _____ DATE: _____
	APPROVED BY: _____ DATE: _____



VMS(S)F 32 50 HZ	GENERAL					NET WEIGHT (KG)
MODEL	P (kW)	E1 (MM) <sup>1</sup>	E2 (MM)	F1 (MM)	F2 (MM)	
32-10	2.2	176	136	733	458	61
32-20	4	233	162	830	506	81
32-30	5.5	233	162	904	575	89
32-40	7.5	233	162	980	623	96
32-50	11	315	206	1279	777	167
32-60	11	315	206	1327	825	169
32-70	15	315	206	1376	874	186
32-80	15	315	206	1424	922	188
32-90	18.5	315	206	1517	971	205
32-100	18.5	315	206	1565	1019	208
32-110	18.5	315	206	1614	1068	210
32-120	22	350	225	1711	1116	248

1. Diameter adapter flange 5.5-7.5 kW = 300 mm, 11-22 kW = 350 mm, 30-37 kW = 400 mm

**ARMSTRONG INTEGRATED LIMITED**  
 Wenlock Way  
 Manchester  
 United Kingdom, M12 5JL  
**T:** +44 (0) 8444 145 145  
**F:** +44 (0) 8444 145 146

**S. A. ARMSTRONG LIMITED**  
 23 Bertrand Avenue  
 Toronto, Ontario  
 Canada, M1L 2P3  
**T:** 416 755 2291  
**F:** 416 759 9101