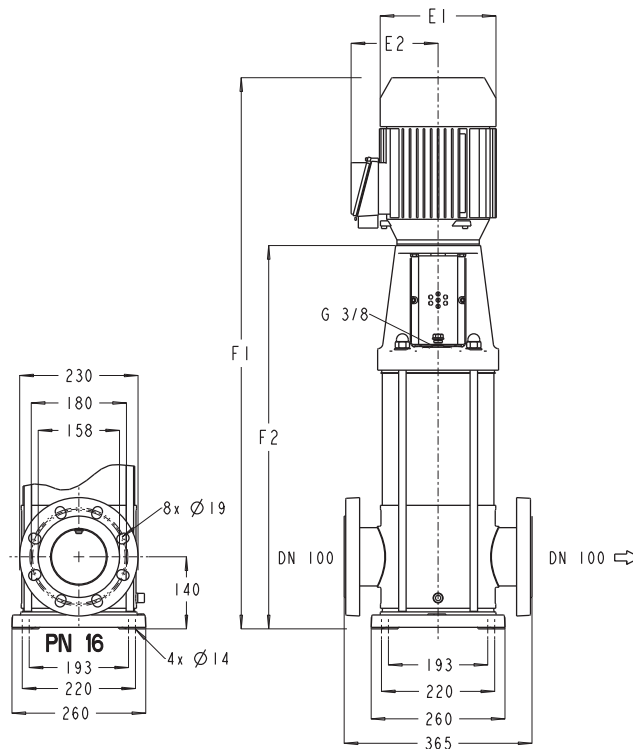


Vertical Multistage Pumps

VMS(S) F 65 50 Hz

SUBMITTAL

JOB: _____	REPRESENTATIVE: _____
ENGINEER: _____	ORDER NO: _____ DATE: _____
CONTRACTOR: _____	SUBMITTED BY: _____ DATE: _____
	APPROVED BY: _____ DATE: _____



VMS(S)F 65 50 HZ	GENERAL					
MODEL	P (kW)	E1 (MM) ¹	E2 (MM)	F1 (MM)	F2 (MM)	NET WEIGHT (KG)
65-10	3	194	147	886	570	78
65-20	5.5	233	162	1008	679	97
65-30	11	315	206	1300	798	104
65-40	11	315	206	1389	887	173
65-50	15	315	206	1478	976	191
65-60	15	315	206	1567	1065	194
65-70	18.5	315	206	1700	1154	213
65-80	22	350	225	1838	1243	252
65-90	30	400	290	1982	1332	255

1. Diameter adapter flange 5.5-7.5 kW = 300 mm, 11-22 kW = 350 mm, 30-37 kW = 400 mm

ARMSTRONG INTEGRATED LIMITED
 Wenlock Way
 Manchester
 United Kingdom, M12 5JL
T: +44 (0) 8444 145 145
F: +44 (0) 8444 145 146

S. A. ARMSTRONG LIMITED
 23 Bertrand Avenue
 Toronto, Ontario
 Canada, M1L 2P3
T: 416 755 2291
F: 416 759 9101